

## OG 54

## FEATURES

Three individually contained 25,000 Btu grill burners deliver exceptional high to low control

Gain nuanced control and more taste from the direct and radiant heat provided by ceramic briquettes

Designed with a stainless-steel cover

Grill any time of day with LED-lit signature Wolf red control knobs

The two position rotisserie handles dishes large and small with two independently controlled 14,000 Btu infrared burners

Resists the elements with its heavy-duty, all-weather stainless-steel construction

Using our easy-open, double-wall hood provides more heat for more efficient grilling

Illuminates your grilling surface with three powerful halogen lights

Eliminates the need for a pilot light with electric hot surface ignitors

Powerful 25,500 Btu infrared sear zone is perfect for searing in delicious flavor for mouthwatering results

## ACCESSORIES

18" Access Door - Left Hinge

18" Access Door - Right Hinge

30" Access Doors

36" Access Doors

42" Access Doors

54" Access Doors

54" Grill Liner

Black Knobs

Built-In Cover

Combo Door and Drawer

Double Storage Drawer

Double Trash/Recycling Drawer

Griddle Plate

Paper Towel Drawer

Rotisserie Conversion

Short Dry Storage

Single Drawer Storage

Single Trash/Recycling Drawer

Tall Dry Storage - Left Hinge

Tall Dry Storage - Right Hinge

Triple Storage Drawer

Accessories available through an authorized dealer.

For local dealer information, visit [subzero-wolf.com/locator](http://subzero-wolf.com/locator).



## KNOB OPTIONS



## GRILL SPECIFICATIONS

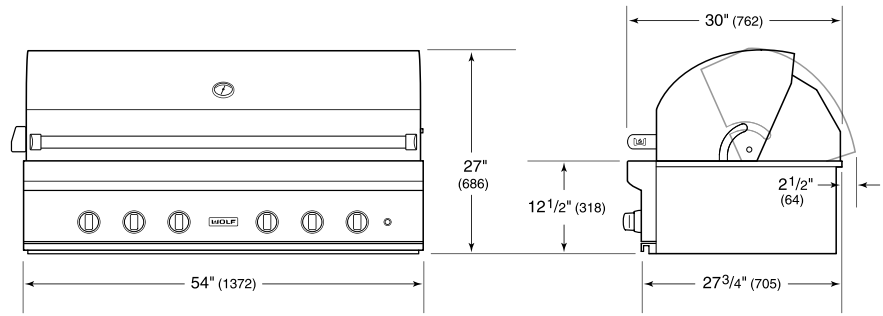
- Halogen lighting
- External reading thermometer
- Rotisserie
- 4 removable stainless steel burner grate; 1 warming rack
- Removable drip tray



**PRODUCT SPECIFICATIONS**

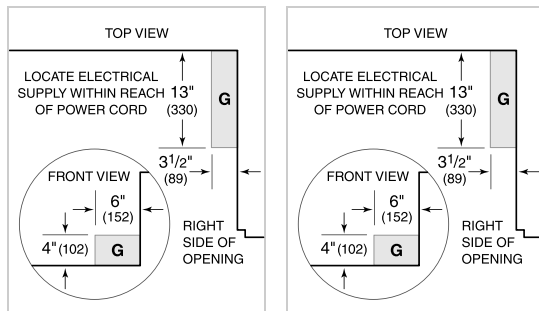
Model	OG54
Dimensions	54"W x 27"H x 30"D
Weight	352 lbs
Electrical Supply	120 VAC, 60 Hz
Electrical Service	15 amp dedicated circuit
Gas Supply	3/4" ID line
Gas Inlet	1/2" NPT female
Power Cord Length	5 Feet
Receptacle	3-prong grounding-type, GFCI

**DIMENSIONS**



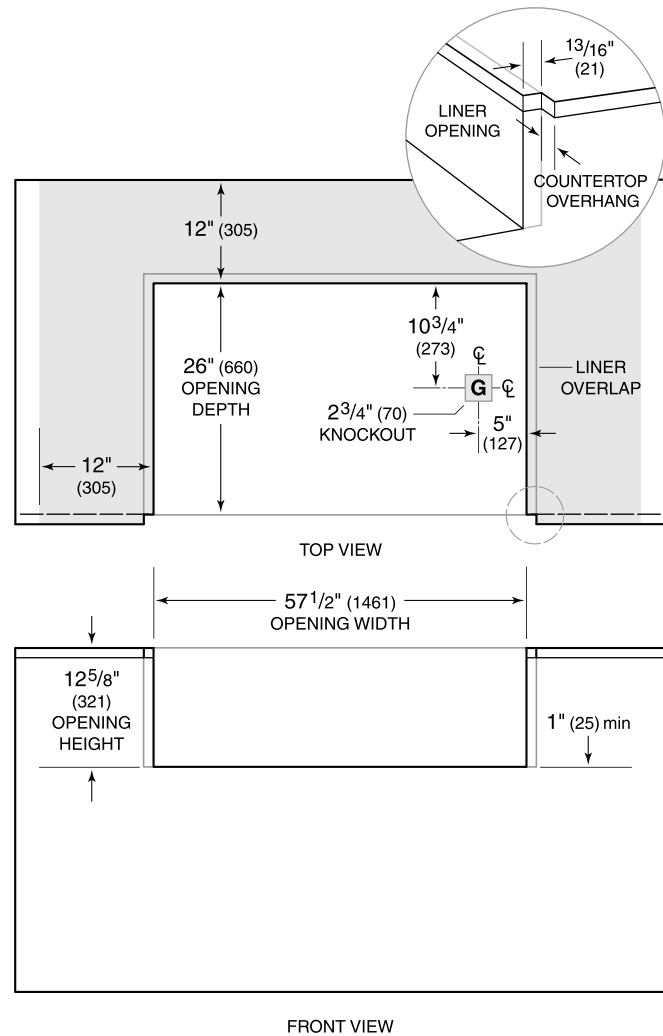
**ELECTRICAL**

**GAS**



NOTE: Dimensions in parenthesis are in millimeters unless otherwise specified

**COMBUSTIBLE INSTALLATION**



NOTE: Shaded area above countertop indicates minimum clearance to combustibles, combustibles cannot be located within this area.