



# 4.8 cu. ft. Front Control Electric Range

WEC310S0F



Stainless Steel  
WEC310S0FS

### Also available in:

- White **WEC310S0FW**
- Black **WEC310S0FB**

### Capacity

Oven 4.8 cu. ft.

### General Features & Properties

Upswept SpillGuard™ Cooktop

Temperature Sensor

4.8 cu. ft. Capacity

Keep Warm

Closed Door Broiling

Delay Cook

Sabbath Mode

Star-K Certified

ADA Compliant

### Electrical Details

Amps 40

Volts 120/240

### Certifications

ADA Compliant Yes

Star-K Certified/Kosher Yes

### Technical Details

Fuel Type Electric

Range Type Slide-In Single Oven

Oven Cooking System Thermal

Number of Oven Racks 2

Cleaning Type Self-Cleaning

Number of Elements 4

Element Type Coil

Element Size/Power  
(2) 6" 1500W  
(2) 8" 2600W

### Dimensions

Product Dimensions (H x W x D) 37" x 29-7/8" x 29-15/16"

Depth with Door Open 90° 47-3/8"

Cutout Width 30-1/8"

### Reference Material

[Dimension Guide](#)

[Install Guide](#)

[Use & Care Guide](#)

[Warranty](#)

## Key Features & Benefits

### Frozen Bake™ Technology

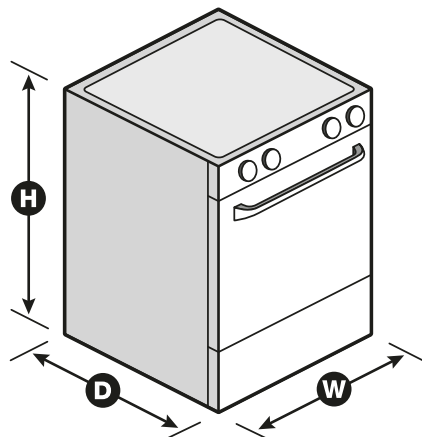
Cook frozen favorites faster with preprogrammed settings that automatically adjust cooking times.

### Guided Cooktop Controls

The knobless design uses up/down arrows to select temperature for heat control without the guesswork.

### Adjustable Self-Cleaning

Take on all kinds of messes in the oven with cleaning settings for light, moderate or heavy soils.



NOTE: Dimensions are for planning purposes only. For complete details, see Installation Instructions packed with product. Specifications subject to change without notice.

®/™ © 2020. All rights reserved. Printed in the U.S.A. D200052XXB. WEC310S0FSPECSHEETV01.