



UNDERCOUNTER WINE CELLARS

Viking 5 Series – VWUI

MODELS

- 15"W. Wine Cellar
 - 2.7 cu. ft. capacity stores 24 bottles of wine total on (6) 4-bottle smooth-glide wine racks
- 24"W. Wine Cellar
 - 5.2 cu. ft. capacity stores 48 bottles of wine total
 - Includes (5) 8-bottle smooth-glide full wine racks and (2) 4-bottle smooth-glide half-depth wine racks

PROFESSIONAL FEATURES

- Heavy-gauge wire wine racks are shaped to safely cradle each wine bottle
- Full-extension ball bearing smooth-glide shelf system prevents jarring
- Vibration Neutralization System protects wine from agitation, allowing it to come to full maturation
- Dynamic cooling technology delivers precise temperature stability and frost-free operation
- Thermal-efficient cabinet ensures optimum wine preservation and energy efficiency while maximizing capacity
- Argon-filled, UV-resistant tinted dual pane glass door protects contents from damaging ultraviolet light and helps conserve energy
- Multifunction controls allows selection of precise cabinet temperature from 33°F to 70° F
- At the touch of a button, change the interior light color to Alluvial Blue or Arctic White
- Theater-style display lighting gently brightens as door is opened and dims to off when closed
- Midnight Black interior



MODEL NUMBERS

- VWUI5151GSS – 15"W. Wine Cellar
- VWUI5241GSS – 24"W. Wine Cellar

DESIGN OPTIONS

- Reversible soft-close door allows for right or left swing for adaptable installation

COLOR FINISHES

- Available in Stainless Steel (SS)

WARRANTY

- 2-year full covers complete unit
- 6-year full – sealed refrigeration system
- 90-day full – cosmetic parts such as glass, painted items, and decorative items
- 12-year limited – sealed refrigeration system



UNDERCOUNTER WINE CELLARS

Viking 5 Series – VWUI

UNDERCOUNTER/FREESTANDING WINE CELLARS		
DESCRIPTION	VWUI5151	VWUI5241
Overall Width	14 7/8 (37.8 cm)	23-7/8" (60.6 cm)
Overall Height	34-3/4" (95.9cm)	
Overall Depth from Rear	To front of door – 23-23/32" (60.2 cm) To handle– 26-7/32" (66.6 cm) With door at 90° – 37-13/32" (95 cm)	To front of door – 23-23/32" (60.2 cm) To handle– 26-7/32" (66.6 cm) With door at 90° – 46-13/32" (117.9 cm)
Electrical Requirements	120V / 60Hz / 15A (5 ft. power cord attached to product)	
Interior finish	Black	
Approximate Shipping Weight	125 lbs. (56.7 kg)	160 lb. (72.6 kg)

Please do not prepare installation from brochure data only. See installation instructions for important clearance/installation information.

15" Rough-in Dimensions		
A	B	C
15" (38.1 cm)	34" to 35" (86.4 to 88.9 cm)	24" (61 cm)

24" Rough-in Dimensions		
A	B	C
24" (61 cm)	34" to 35" (86.4 to 88.9 cm)	24" (61 cm)

15"W. Cabinet Dimensions					
D	E	F	G	H	J
14 7/8" (37.8 cm)	33-3/4" to 34-3/4" (85.7 to 88.3 cm)	23-23/32" (60.2 cm)	26-7/32" (66.6 cm)	37 13/32" (95 cm)	17 7/16" (67.2 cm)

24"W Cabinet Dimensions					
D	E	F	G	H	J
23-7/8" (60.7 cm)	33-3/4" to 34-3/4" (85.7 to 88.3 cm)	23-23/32" (60.2 cm)	26-7/32" (66.6 cm)	46 13/32" (117.9 cm)	26-7/16" (67.2 cm)

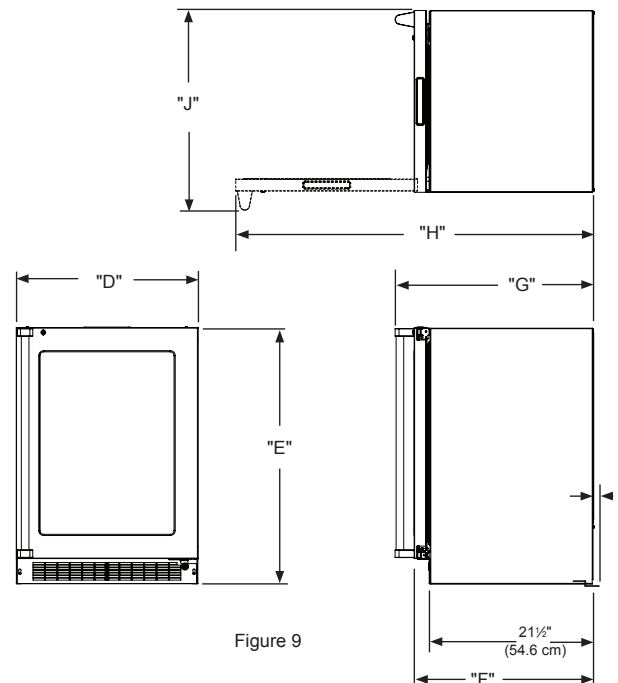
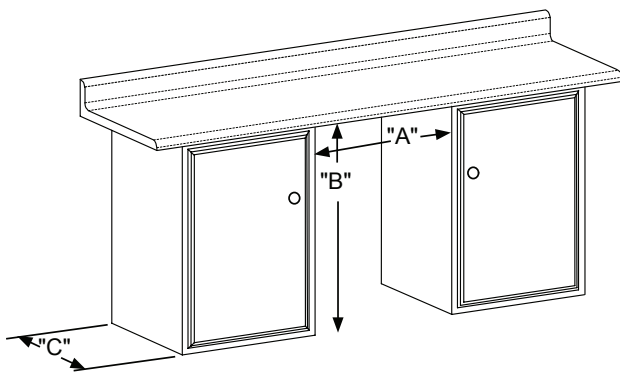


Figure 9



VIKING RANGE, LLC 111 FRONT STREET GREENWOOD, MISSISSIPPI 38930 USA

For detailed product information, model numbers, or to request a quote call 1-888-845-4641 or visit vikingrange.com

© 2020 Viking Range, LLC All rights reserved. Specifications subject to change without notice.