

Gas Range, 30", 4 Burners

Series 7 | Classic

Black

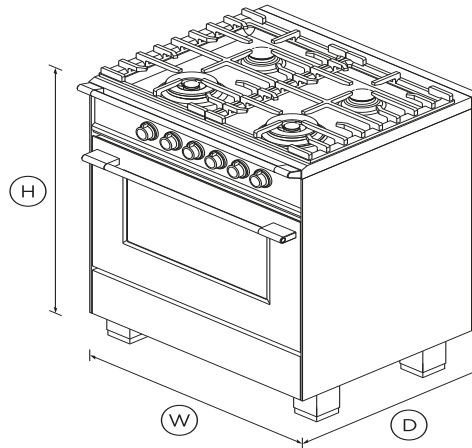


Create a striking classic kitchen. Your freestanding range has a spacious oven capacity and four gas burners for precise control.

- Four burner gas cooktop with two dual wok burners
- Gas oven with 3.5 cu ft total capacity
- Three oven functions: Bake, Convection Bake and Maxi Broil

DIMENSIONS

Height	35 ³ / ₄ - 37 ⁵ / ₈ "
Width	29 ⁷ / ₈ "
Depth	25 ¹ / ₄ "



FEATURES & BENEFITS

Design quality

This range has been carefully crafted in every detail from performance to durability using quality materials including the balanced soft-close door and rounded hob rail.

Large capacity oven

The generous 3.5 cu.ft total capacity oven gives you plenty of space to cook multiple dishes at once, with enough room to fit a 26 lb turkey.

Performance power

Precise cooktop controls let you sear or stir fry over instant, powerful heat. Use the high burner power or simmer a delicate sauce using the gentlest of heats.

Easy cleaning

With its durable surface, your cooktop simply needs a quick wipe after cooking to keep it looking good as new for years to come.

SPECIFICATIONS

Accessories

2-pc grill system (Broil pan and	•
Broil pan	•
Chromed shelf runners	1 set
Hob rear trim (optional)	3 1/8" (part 81657)
Kick strip, stainless steel	Part 81660
Small pot support	1 (part 533981 cast)
Wok stand	1 (part 534678)

Capacity

Total capacity	3.5 cu ft
----------------	-----------

Cleaning

Acid resistant graphite enamel	•
Removable oven door	•
Removable shelf runners	•

Controls

Interior light	•
Laser etched graphics	•

Gas requirements

Supply Pressure (LPG)	11" W.C.P
Supply Pressure (natural gas)	4" W.C.P

Oven features

Concealed element	•
Convection	•
Electronic ignition	•
Full extension telescopic	2 sets (part 578776)
Internal light	2 x 25W halogen (rear)
Soft open/close door	•
Storage drawer	•

Oven functions

Convection bake	•
Maxi Broil	•
Number of functions	3

Oven performance

CoolTouch door	Triple glazed
----------------	---------------

Power requirements

Amperage	1A
Supply frequency	60
Supply voltage	120

Product dimensions

Depth	25 1/4 "
Height	35 3/4 - 37 5/8 "
Installation cutout dimensions	25 1/4 "

Installation cutout dimensions	30 "
Width	29 7/8 "

Rangetop features

Dishwasher safe trivets	•
Hob rail	•
Hob rear trim	0 7/8"
LPG/Natural gas compatible	•
Sealed range top	•

Rangetop Performance

Max burner power	18000BTU
Number of burner elements	4
Semi-rapid burner (LPG) x2	1500 - 8000BTU
Semi-rapid burner (natural)	1500 - 8000BTU
Total cooktop power	52000BTU

Safety

Advanced cooling system	•
Anti-tilt bracket	•
Balanced oven door	•
Full extension telescopic	•
Non-tip shelves	•
Spill containment	1/2 gallon

Warranty

Parts and labor	2 years
-----------------	---------

SKU	81713
-----	-------

TEST The product dimensions and specifications in this page apply to the specific product and model. Under our policy of continuous improvement, these dimensions and specifications may change at any time. You should therefore check with Fisher & Paykel's Customer Care Centre to ensure this page correctly describes the model currently available. ? Fisher & Paykel Appliances Ltd 2020

Other product downloads available at fisherpaykel.com



User Guide



Service & Warranty Booklet



Installation Guide



Resources (zip)



A PEACE OF MIND SALE

24 Hours 7 Days a Week Customer Support

T 1.888.936.7872 **W**www.fisherpaykel.com