



# 5.0 cu. ft. Gas Range

WFG550S0H



Fingerprint-Resistant Stainless  
WFG550S0HZ

### Also available in:

- White **WFG550S0HW**
- Black **WFG550S0HB**
- Fingerprint-Resistant Black Stainless **WFG550S0HV**

### Capacity

Oven	5.0 cu. ft.
------	-------------

### General Features & Properties

Center Oval Burner
Dishwasher-Safe Cast-Iron Grates
Keep Warm Setting
Large Oven Window
Fingerprint Resistant
Closed Door Broiling
Control Lock Mode
Adjustable Self-Cleaning Technology
5.0 cu. ft. Capacity

### Electrical Details

Amps	15
Volts	120

### Certifications

ADA Compliant	Yes
Star-K Certified/Kosher	Yes

### Technical Details

Fuel Type	Gas
Range Type	Freestanding Single Oven
Oven Cooking System	Fan Convection
Number of Oven Racks	2
Cleaning Type	Adjustable Self-Cleaning
Number of Burners	5
Burner Type	Sealed Burners
Burner Power	(1) 5000 BTU (1) 8000 BTU (1) 9500 BTU (2) 15,000 BTU

### Dimensions

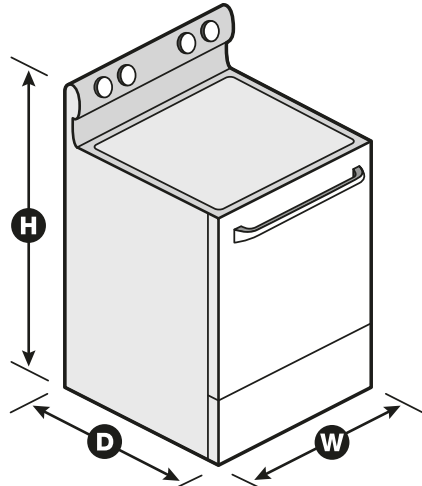
Product Dimensions (H x W x D)	47-7/8" x 29-7/8" x 27-3/4"
Depth with Door Open 90°	46-5/8"

### Reference Material

- [Dimension Guide](#)
- [Install Guide](#)
- [Use & Care Guide](#)
- [Warranty](#)

### Key Features & Benefits

- Fan Convection Cooking**  
Bake on any rack with fan convection to help eliminate cold spots.
- SpeedHeat™ Burner**  
Sear and boil quickly with a 15,000 BTU high-heat burner.
- Frozen Bake™ Technology**  
Cook frozen favorites faster with preprogrammed settings that automatically adjust cooking times.



NOTE: Dimensions are for planning purposes only. For complete details, see Installation Instructions packed with product. Specifications subject to change without notice.  
 ®/™ © 2020. All rights reserved. Printed in the U.S.A. D200052XXB. WFG550S0HSPECSHEETV01.