

# MAST365INSXT

MASTER SERIES INDUCTION RANGE 36" 5 HEATING ZONES  
ELECTRIC SELF-CLEAN OVEN - STAINLESS STEEL FINISH



Counter-deep maintop for flush installation with kitchen countertops and cabinets

Maintop with 5 latest generation extra-large induction zones and bridging of right-side zones

5.7 cu.ft electric self-clean oven with dual diagonal convection fans for even baking and roasting on 7 shelf levels

Food temperature probe for accurate roasting and baking

10-pass electric broiler for broiling and grilling, with optional convection

Elegant digital gauge for precise control of oven temperature during pre-heating and baking with integrated controls for the temperature probe

Smooth-glide telescopic rack

Soft-close oven door with edge-to-edge tempered glass

## MAINTOP FEATURES

<b>Maintop</b>	5 induction heating zones
<b>Power</b>	Front Left ø 5 3/4" 1400W (2200W booster) Back Left ø 8 1/4" 2300W (3700W booster) Center ø 8 1/4" 2300W (3700W booster) Front Right Bridge 2100W (3700W booster) Back Right Bridge 2100W (3700W booster)
<b>Bridge function</b>	Yes - Front Right + Back Right 7400W
<b>Knobs</b>	Metal
<b>Included accessories</b>	1" stainless steel island trim

## OVEN FEATURES

<b>Oven type</b>	Electric oven pyrolytic
<b>Power rating</b>	Bake: Bottom 2400W Bake: Top 1600W Broiler: 4000W Convection: 2 x 1650W
<b>Oven volume</b>	5.7 cu.ft
<b>Convection</b>	Dual diagonal fans
<b>Functions</b>	Warming/Proofing/Dehydrate - Bake Convection - Convection Bake - Broil Convection Broil - Pizza - Clean
<b>Food probe</b>	YES
<b>Self clean</b>	YES pyrolytic
<b>Oven door</b>	Tempered edge-to-edge triple glass
<b>Oven door hinges</b>	Soft-close
<b>Included accessories</b>	1 set of telescopic glides 2 wire shelves Baking tray with grill trivet

## TECHNICAL SPECIFICATIONS

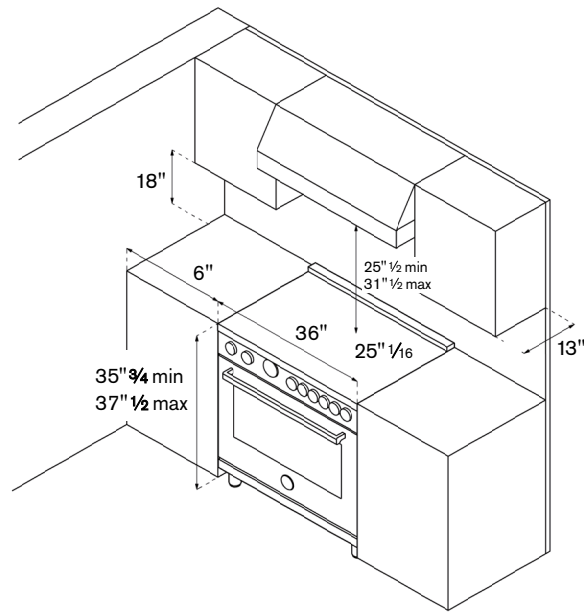
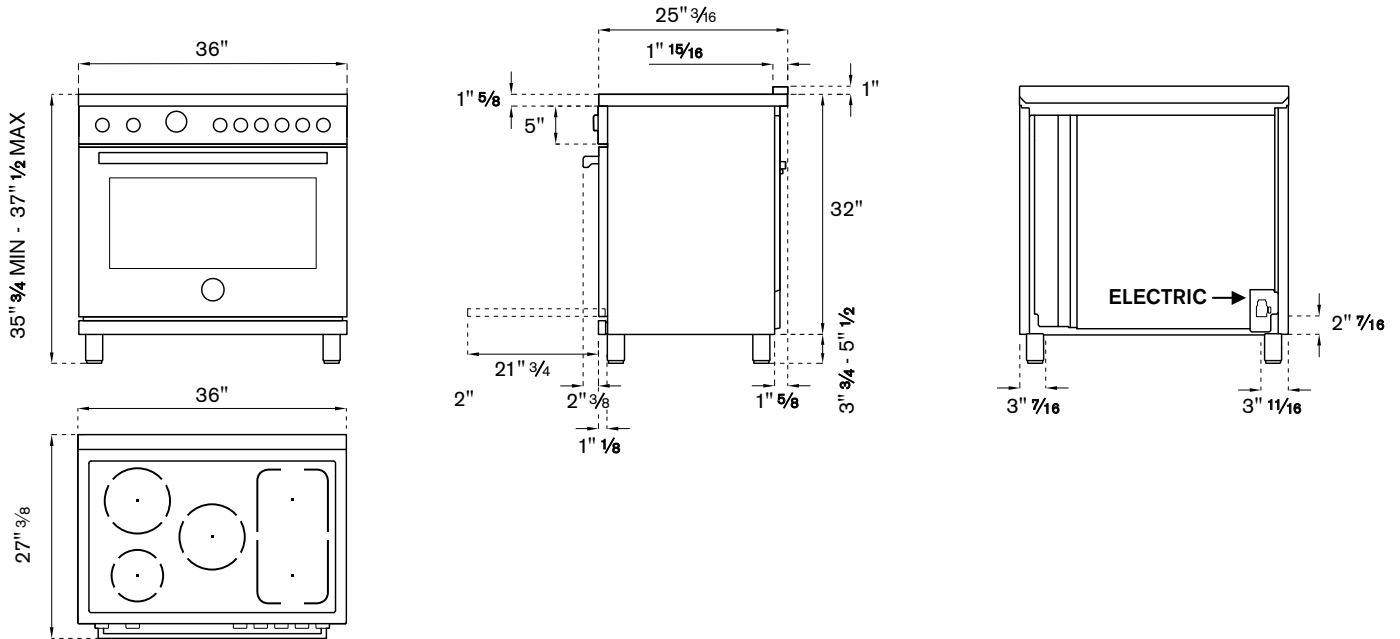
<b>Electrical supply</b>	120/240V 60 Hz - 17000W 120/208V 60Hz - 15600W 50 Amp dedicated circuit
<b>Power connection</b>	NEMA 14-50P plug with 59" cord
<b>Certification</b>	CSA
<b>Warranty</b>	2 years parts & labor

## OPTIONAL ACCESSORIES

<b>TKP36X</b>	Toe kick
<b>901471</b>	Set of telescopic glides for oven rack
<b>901272</b>	Bertazzoni white porcelain baking dish
<b>BGH36</b>	4" backguard

# MAST365INSXT

MASTER SERIES INDUCTION RANGE 36" 5 HEATING ZONES  
ELECTRIC SELF-CLEAN OVEN - STAINLESS STEEL FINISH



## Side Clearance Requirements:

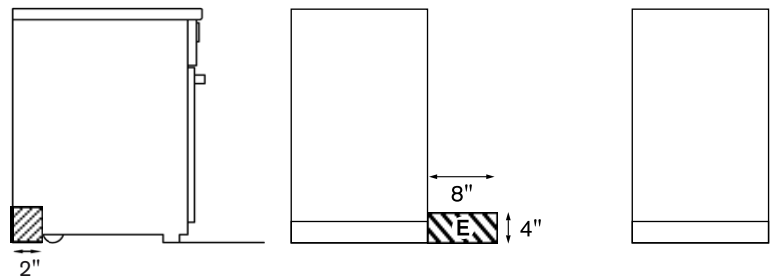
- 6" min clearance from edge of maintop.
- Overhead Cabinet: 18" min height above countertop
- 13" max depth.

## Ventilation Hood Clearance:

Ventilation Hood Clearance:  
recommended height 25" <sup>1</sup>/<sub>2</sub>" - 31" <sup>1</sup>/<sub>2</sub>"  
above cooking surface.

## ELECTRICAL LINE

A properly-grounded horizontally- mounted electrical receptacle should be installed no higher than 3" (7,6 cm) above the floor, no less than 2" (5 cm) and no more than 8" (20,3 cm) from the left side (facing product). Check all local code requirements.



Installation clearance available behind range

Electrical Installation Location

**Disclaimer:** while every effort has been made to insure the accuracy of the information contained in this document, Fratelli Bertazzoni reserves the right to change any part of the information at any time without notice. For detailed installation specifications consult the installation manual. Fratelli Bertazzoni, Bertazzoni and the winged wheel brand icon are registered trademarks of Bertazzoni Spa.