



2.6 cu. ft. Gas Range

AGG222VD



White
AGG222VDW

Capacity

Oven	2.6 cu. ft.
------	-------------

General Features & Properties

SpillSaver™ Upswept Cooktop

Sealed Burners

LP Gas Convertible

Electrical Details

Amps	15
------	----

Volts	120
-------	-----

Certifications

ADA Compliant	Yes
---------------	-----

Technical Details

Fuel Type	Gas
-----------	-----

Range Type	Freestanding Single Oven
------------	--------------------------

Oven Cooking System	Thermal
---------------------	---------

Number of Oven Racks	2
----------------------	---

Cleaning Type	Manual Clean
---------------	--------------

Number of Burners	4
-------------------	---

Burner Type	Sealed Burners
-------------	----------------

Burner Power	(2) 9500 BTU (2) 7000 BTU
--------------	------------------------------

Dimensions

Product Dimensions (H x W x D)	42" x 19-3/4" x 26-1/4"
--------------------------------	-------------------------------

Depth with Door Open 90°	42-1/8"
--------------------------	---------

Reference Material

[Dimension Guide](#)

[Install Guide](#)

[Use & Care Guide](#)

[Warranty](#)

Key Features & Benefits

Compact Oven Capacity

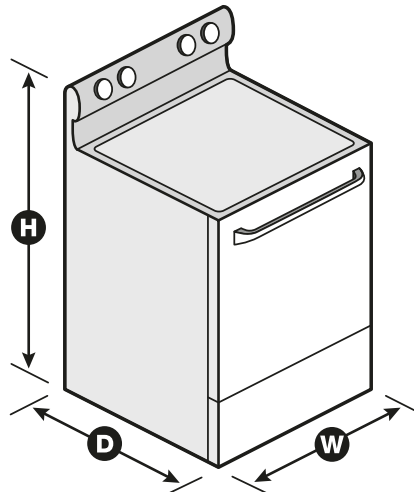
Ideal for tight spaces like a studio apartment.

Versatile Cooktop

Multiple burner options provide up to 9,500 BTUs to help cook more favorites at the same time.

Temp Assure™ Cooking System

Distributes heat throughout the entire oven to deliver delicious results.



NOTE: Dimensions are for planning purposes only. For complete details, see Installation Instructions packed with product. Specifications subject to change without notice.

®/™ © 2020. All rights reserved. Printed in the U.S.A. D200052XXB. AGG222VDSPECSHEETV01.