

Integrated Single DishDrawer™ Dishwasher, Sanitize

Series 9 | Integrated

Panel Ready

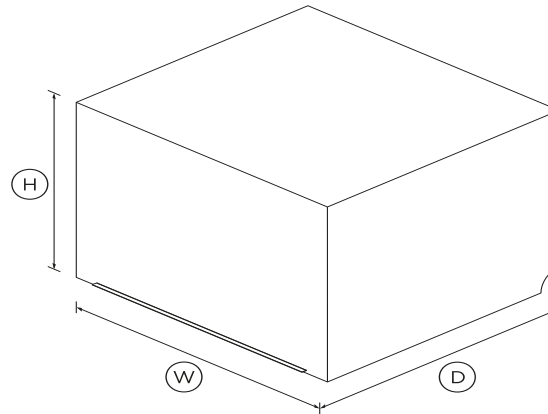


A compact size to fit anywhere, room to wash a half load, and less bending.

- Knock to pause function is perfect if you miss a dish
- Six wash programs, as well as additional Quick wash, Sanitize and Extra Dry options
- Customize with your own kitchen cabinetry or purchase our stainless steel door panel accessory
- American Disabilities Act (ADA) compliant, this can be installed at an accessible height for loading and unloading

DIMENSIONS

Height	16 1/8"
Width	23 9/16"
Depth	22 1/2"



FEATURES & BENEFITS

Seamless integration

Slide your DishDrawer™ Dishwasher into an existing kitchen space or integrate into kitchen cabinetry, for a seamless look whilst delivering superior dish care.

Ease of use

DishDrawer™ Dishwashers are as easy to open and close as kitchen drawers and can be conveniently positioned at bench height for ease of loading and minimal bending. Flexible racking allows you to make adjustments to fit in a variety of dishes.

Quick, Sanitize and Extra Dry options

The Quick wash modifier delivers a faster wash while maintaining performance. The Sanitize option provides extra protection killing 99.9% of bacteria in the final rinse. The Extra Dry setting is perfect for plastic dishes.

Knock to pause

Instead of needing a remote control, these DishDrawer™ Dishwashers have a knock to pause function. A knock on the front panel will pause the dishwasher which can be re-started again by using the start/play button.

Quiet performer

Running at a very low decibel rate, these DishDrawer™ Dishwashers do their job without making a fuss. The combination of intelligent technology and simple mechanics means greater reliability and excellent wash performance.

SPECIFICATIONS

Accessories

Contemporary round handle	Part number 81671
Cutlery basket	•
Optional handle	513545 D3 front mount fitting
Optional stainless steel door kit	81262 Door DD24S

Capacity and Loading

Accommodates round plates	11"
Adjustable height, foldable	•
Fold down tines	•
Pitch adjustable tines	•
Place settings	7

Consumption

Energy star rating	•
--------------------	---

Energy usage	144kWh/year
Water usage	1.64 gal/cycle

Controls

Child lock	•
Electronic fault/Diagnostic	•
End of cycle beeps	•
Energy saving delay start	•
Internal wash selector	•
Knock to pause	•
Rinse aid indicator light	•

Features

Fan assisted drying	•
Flow through detergent	•
Quiet operation	•
SmartDrive™ technology	•

Performance

Noise on gentle cycle top	44dBA
---------------------------	--------------

Power requirements

Amperage	5A
Electric circuit	3
Rated current	15A
Supply frequency	60Hz
Supply voltage	120V

Product dimensions

Depth	22 1/2 "
Height	16 1/8 "
Width	23 9/16 "

Warranty

Parts and labor	Limited 2 Year Parts & Labor
-----------------	---

Wash Programs

Delicate	•
Eco	•
Extra Dry	•
Fast	•
Heavy	•
Medium	•
Number of wash programs	15
Quick	•
Rinse	•
Sanitize	•
Wash modifiers	3

Water connection

Inlet water temperature	Max 140°F
Supplied hose to suit 3/8"	•
Water pressure	0.03 Mpa - 1 Mpa (4.3-145 psi)

SKU	81221
-----	-------

and specifications may change at any time. You should therefore check with Fisher & Paykel's Customer Care Centre to ensure this page correctly describes the model currently available. ? Fisher & Paykel Appliances Ltd 2020

TEST The product dimensions and specifications in this page apply to the specific product and model. Under our policy of continuous improvement, these dimensions

Other product downloads available at fisherpaykel.com



[Quick Start Guide](#)



[User Guide](#)



[Service & Warranty Booklet](#)



[Installation Guide](#)



[Resources \(zip\)](#)



A PEACE OF MIND SALE

24 Hours 7 Days a Week Customer Support

T 1.888.936.7872 W www.fisherpaykel.com