

LG REFRIGERATION

LRSDS2706_

27 cu.ft. Side by Side Refrigerator

Ultra-Large Capacity, 27 cu. ft.
 Door-in-Door®
 Flat Panel Door Design with Pocket Handles
 Dual Ice Maker with Craft Ice™
 UVnano™ Smooth Touch Dispenser
 CoolGuard™ Interior Panel
 Interior LED Lighting
 Interior Touch Display Controls
 Door Cooling+
 Linear Cooling™
 Multi-Air Flow System
 LG ThinQ® Technology

Enjoy new ways to control your home with LG smart appliances

LG ThinQ®

- Get an alert when kids forget to close the door
- Make more ice while you're at work
- Works with the LG ThinQ® app



CAPACITY

Refrigerator (cu.ft.)	17.50
Freezer (cu.ft.)	9.60
Total Capacity (cu.ft.)	27.1

ENERGY

Energy Consumption (kWh/Year)	694
ENERGY STAR® Qualified	ENERGY STAR®

WATER & ICE SYSTEM

Ice & Water Dispenser	Yes
Dispenser Type	Smooth Touch with UV Nano
Daily Ice Production (lbs)	2.5 lbs
IcePlus™ Production (lbs)	3.0 lbs
Craft Ice™ Daily Ice Production	0.8 lbs
Ice Storage Capacity (lbs)	4.5 lbs
Ice System	SpacePlus®
Dual Ice with Craft Ice™	Yes
Dispenser Light	Yes (Ring Light)
Water Filter	LT1000P

COOLING

Linear Compressor	Yes
Linear Cooling	Yes
Door Cooling+	Yes
Multi-Air Flow™ System	Yes
Temperature Sensors	4

CONVENIENCE

Display Type	Membrane / White LED
Temperature Controls	Electronic/Digital
Door Alarm	Yes
Child Lock	Yes
Auto Closing Door Hinge	Yes (Cam Hinge Type)
ADA Compliant	Yes
Sabbath Mode	Yes
LoDecibel™ Quiet Operation	Yes

REFRIGERATOR

No. of Shelves	4
Cantilevered Shelves	Inner Case Supported Type
Shelf Construction	Tempered Glass
CoolGuard™	Yes
Refrigerator Light	Ceiling LED

REFRIGERATOR DOOR

Door-In-Door®	Yes
No. of Bins	4
Door Bin Construction	1 Piece (Clear)

FREEZER

Door Type	Side Swing
Drawers/Shelves	Shelves: 4 (Glass) Drawers: 2
Ice Bin / In-Door Ice	Icemaker & Ice Bin in Door
Freezer Light	Ceiling LED
No. of Door Bins/Construction	2 / 1 Piece(Clear)
Freezer Handle	Newly Designed Pocket Handle (Upper and Lower Pockets)

SMART FEATURES

wi-fi Enabled	Yes
ThinQ®	Yes
SmartDiagnosis™	Yes

MATERIALS AND FINISHES

Door Type	Flat
Hidden Hinges	Yes
Surface	Smooth
Fingerprint & Smudge Resistant Exterior	Yes
Handles	Newly Designed Pocket Handle (Upper and Lower Pockets)
All Available Colors	PrintProof™ Black Stainless Steel PrintProof™ Stainless Steel

DIMENSIONS/CLEARANCES/WEIGHTS

Depth with Handles	33 7/16"
Depth without Door	29 1/8"
Depth (Total with Door Open)	51 1/8"
Height to Top of Case	69 3/8"
Height to Top of Door Hinge	70 1/4"
Width	35 7/8"
Width (Door Open 90° with Handle)	39 1/4"
Door Edge Clearance with Handle	3/8"
Installation Clearance	Sides 1/8", Top 1", Back 2"
Weight (Unit/Carton)	285.5 lbs / 293.4 lbs
Carton Dimensions (WxHxD)	37 9/16" x 74 5/8" x 34 7/8"

LIMITED WARRANTY

Parts & Labor	1 Year
Sealed System (Parts & Labor)	5 Years
Compressor (Parts & Labor)	5 Years
Linear Compressor (Parts Only)	6-10 Years

UPC CODES

LRSDS2706S (PrintProof™ Stainless Steel)	195174007679
LRSDS2706D (PrintProof™ Black Stainless Steel)	195174007655

LG REFRIGERATION

LRSDS2706_

27 cu.ft. Side by Side Refrigerator

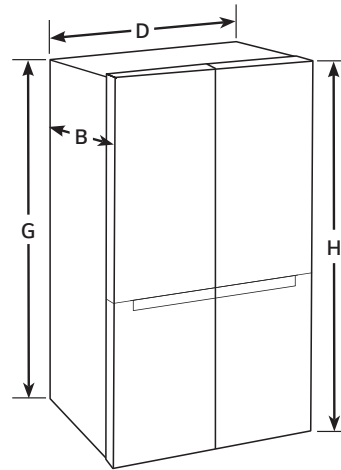
QUICK INSTALL & CLEARANCES

For full installation directions/clearances please refer to the corresponding User Manual and Installation Guide.

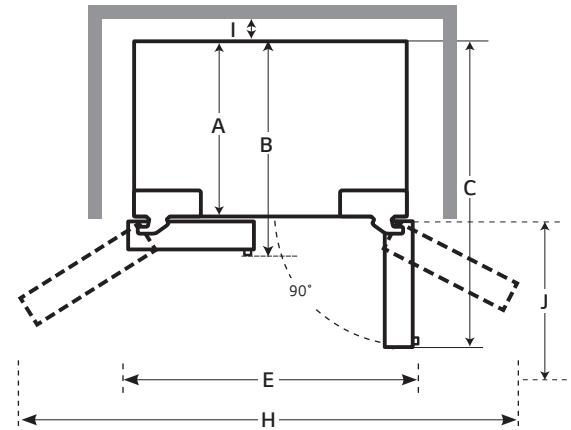
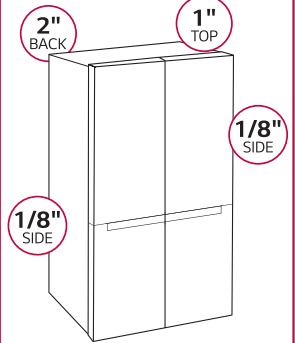
DIMENSIONS/CLEARANCES/WEIGHTS

A Depth without Door	29 1/8"
B Depth with Door	33 7/16"
C Depth (Total with Door Open 90°)	51 1/8"
D Width	35 7/8"
E Width (Door Open 90° with Door)	39 1/4"
F Width (Door Open Fully)	FPO
Door Edge Clearance with Handle (Not Shown)	3/8"
G Height to Top of Case	69 3/8"
H Height to Top of Door Hinge	70 1/4"
I Back Clearance	2"
J Front Clearance	24"
Installation Clearances	Sides 1/8", Top 1", Back 2"
Carton Dimensions (WxHxD)	37 9/16" x 74 5/8" x 34 7/8"
ENERGY	
Energy Consumption (kWh/Year)	694
ENERGY STAR® Qualified	ENERGY STAR®

PRODUCT DIMENSIONS



CLEARANCES



CHOOSING THE PROPER LOCATION

WATER

Select a place where a water supply can be easily connected for the automatic

NOTE

- The water pressure must be 20 – 120 psi or 138 – 827 kPa or 1.4 – 8.4 kgf/cm². If the refrigerator is installed in an area with low water pressure (below 20 psi), you can install a booster pump to compensate for the low pressure.

ELECTRICITY

The refrigerator should always be plugged into its own individual properly grounded electrical outlet rated for 115 Volts, 60 Hz, AC only, and fused at 15 or 20 amperes. This provides the best performance and also prevents overloading house wiring circuits which could cause a fire hazard from overheated wires. It is recommended that a separate circuit serving only this appliance be provided.

WARNING

- To reduce the risk of electric shock, do not install the refrigerator in a wet or damp area.

FLOORING

To avoid noise and vibration, the unit must be leveled and installed on a solidly constructed floor. If required, adjust the leveling legs to compensate for the unevenness of the floor. The front should be slightly higher than the rear to aid in door closing. Leveling legs can be turned easily by tipping the cabinet slightly. Turn the leveling legs to the left to raise the unit or to the right to lower it.

NOTE

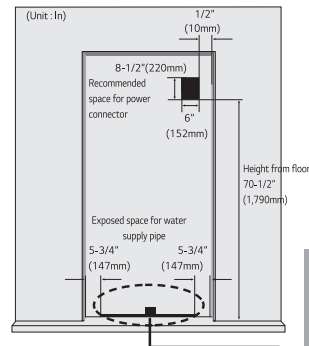
- Installing on carpeting, soft tile surfaces, a platform or weakly supported structure is not recommended.

AMBIENT TEMPERATURE

Install this appliance in an area where the temperature is between 55°F (13°C) and 110°F (43°C). If the temperature around the appliance is too low or high, cooling ability may be adversely affected.

CONNECTING POWER AND SECURING SPACE FOR WATER SUPPLY PIPE

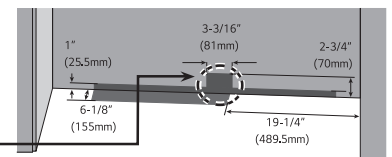
- Make sure the location of the water supply pipe is within the marked range.
- Before connecting the power, always make sure to ground the product. (If the product is not grounded, the user may be able to feel the electricity due to the minute leakage current when touching the refrigerator door handle or side corner even when there is no issue with the product.)
- Do not ground the product to gas pipe, plastic water pipe or telephone wire etc. It can cause electric shock and explosion.



Power connection

The location of the 115V 60Hz power connector must be located on the rear side of the product as shown in the picture.

When installing the product, make sure to check whether the cord is hung on the hook on the rear side so that it is not pressed on the refrigerator. Damaged power cord can cause a fire.



Installation space for water supply pipe

Place the water hose for ice maker and water dispenser as shown in the picture, and prepare hose to come up from the floor. (Copper pipe with diameter of 5/16" (8mm) is recommended for the water hose.) If the water pipe and water hose is located far from the product, bury the water hose on the floor and provide appropriate treatment.

