



AR 403 722  
Metal housing  
562 CFM  
Air extraction

**Inline blower 400 and 200 series**  
**AR 403**

- Powerful inline blower to combine with motorless appliances AL400, VL200, VL414
- Efficient BLDC technology
- Compact and space-saving installation in a 4" (10 cm) high toe-kick

**Output**

3 performance output levels and intensive mode:  
Sound power and sound pressure depending on built-in situation.  
Air extraction: 562 CFM.  
Power levels depend on the downdraft appliances.

**Features**

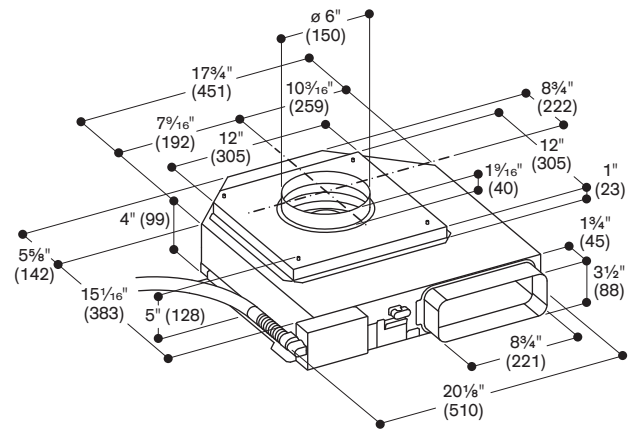
3 electronically controlled power levels and 1 intensive mode.  
Fan technology with highly efficient, brushless DC motor (BLDC).  
Steel housing, zinc-plated.  
Pipe connection pieces on intake side:  
1 x 6" DN 150 round.  
Pipe connection pieces on output side:  
1x DN 150 flat duct.  
Retaining bracket for installation on the ceiling or side of enclosed cabinet.

**Planning notes**

Inline blower in combination with AL400, VL200, VL414.  
Connection to the respective appliances via network cable.  
Installation in the toe-kick with cut-out for the air ducting in the cabinet base.  
Connection of AL 400 with an air collector box (AD 704 048/049).

**Connection**

Total rating 170 W.  
Total amps : 2 A  
120 V / 60 Hz.  
Includes a 60" (1.5 m) electrical cable.  
Hardwire required.  
78" (2 m) network cable included to connect with VL or AL downdraft. .



Numbers indicated  
inside parenthesis ( ) = mm