



HIGH-SPEED OVEN **E30S075ESS**  
designer series



### High-Speed Oven Specifications

- Product Weight – 115 Lbs.
- Connected Load (kW Rating) – 240 Volts = 4.0 kW
- Amps @ 240 Volts = 15 Amps
- Single phase 3- or 4-wire cable, 240 Volt, 60 Hertz, fused on both sides of line with ground.
- Always consult local and/or national electric codes.
- Allow at least 12" clearance for oven door depth when open.
- Minimum 22-3/4" deep, oven cutout dimension is critical for proper installation. If oven's face profile does not fit flush against cabinet, or if noise is heard from oven's convection system, verify dimension.
- Full oven base of solid plywood or similar material required, capable of supporting 130 Lbs.
- Base must be level and cabinet front must be square.

### Combination High-Speed Oven/ Built-In Oven Specifications

- High-Speed Oven can be used alone or in combination with any Electrolux ICON™ Single Oven. (Refer to Combination Installation Specifications on the web.)

NOTE: Refer to Product Installation Guide for detailed instructions on the web at [electroluxusa.com](http://electroluxusa.com).

### Wave-Touch™ Control Panel Technology

A simple touch, anywhere on the panel, lights oven controls and provides access to all oven functions. This allows easy programming while keeping activated functions lighted for easy monitoring.

### Practical, Complementary Design

Stainless steel exterior, sturdy handle on the pull-down door for easy opening and increased placement options.

### Automatic Settings

84 cooking selections and preprogrammed recipes ensure endless cooking options and yield perfect results.

### Cooking Mode Options

This appliance makes cooking faster, easier and better by combining a high-speed, convection and microwave oven into one versatile package. This high-performance oven allows you to bake, brown, grill or roast with ease.

### Temperature Control

100°, 150°, 275° – 450° in 25-degree increments.

### HIGH-SPEED OVEN

Oven Cavity	1.1 Cu. Ft.
Watts (IEC-705 Test Procedure)	1000
Oven Interior	Stainless Steel
Interior Light	Yes
Porcelain Enamel Turntable (Diameter)	13"

### PANEL FEATURES

Electronic Clock & Timer	Yes
Glass Wave-Touch™ Control with Blue LED Display	Yes
Automatic Settings	
Basic Cook	84
Recipes	100
Microwave Options	17
Speed Bake	Yes
Speed Roast	Yes
Speed Grill	Yes
Convection	Yes

### POWER RATINGS

Microwave	1.7kW, 7.5 Amps
Convection	3.1kW, 13 Amps
Speed Cooking	3.2kW, 13.5 Amps
AC Line Voltage	240V, 15 Amps, 60Hz, AC only

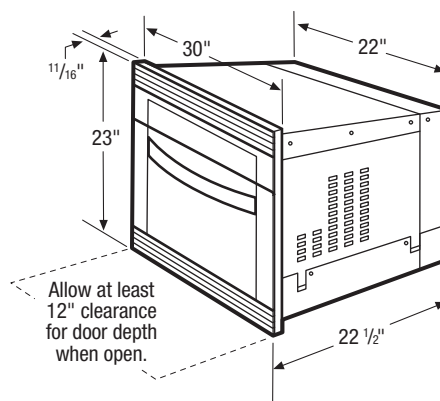
### ACCESSORIES

Cookbook	Included
High and Low Racks	Included

### SPECIFICATIONS

Cutout Dimensions –	
Height	21-11/16" min. 21-15/16" max.
Width	22-3/8" min. 22-5/8" max.
Depth	22-3/4"
Product Weight	115 Lbs.
Shipping Weight	122 Lbs.
UPC (0-12505-)	55712-1

NOTE: Always consult local and/or national electric codes. Refer to Product Installation Guide for detailed installation instructions on the web at [electroluxusa.com](http://electroluxusa.com).



USA • 250 Bobby Jones Expressway • Augusta, GA 30907  
1-877-4electrolux (1-877-435-3287) • [electroluxusa.com](http://electroluxusa.com)

CANADA • 5855 Terry Fox Way • Mississauga, ON L5V 3E4  
1-800-668-4606 • [electroluxca.com](http://electroluxca.com)