

GDT635HMM/HSM

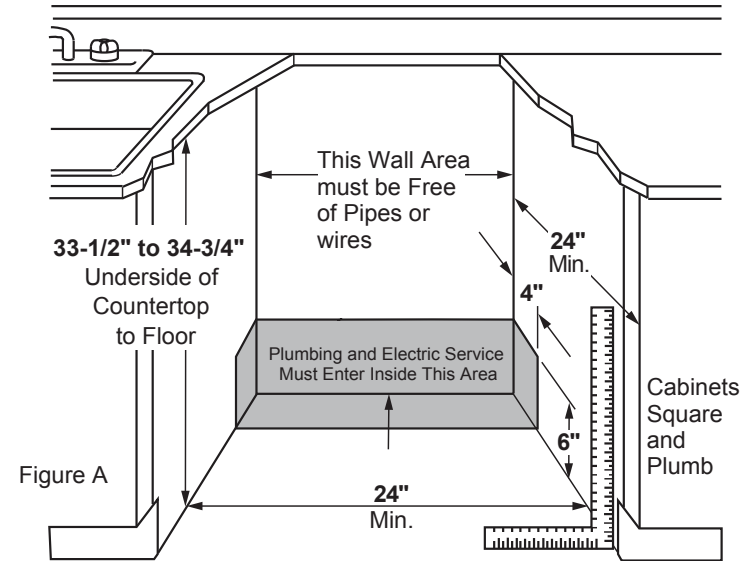
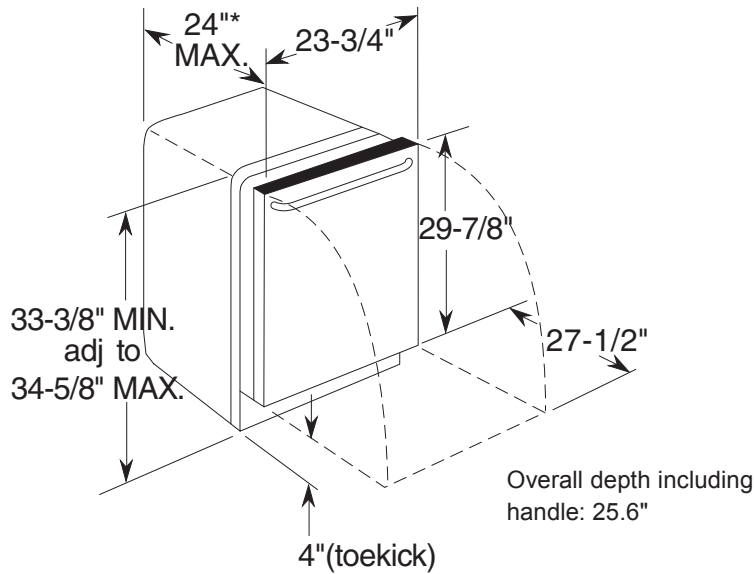
GE® Hybrid Stainless Steel Interior Dishwasher with Hidden Controls

DIMENSIONS AND INSTALLATION INFORMATION (IN INCHES)

ELECTRICAL RATING

Voltage AC.....	120
Hertz.....	60
Total connected load amperage.....	7.1
Calrod® heater watts.....	800/500

For use on adequately wired 120-volt, 15-amp circuit having 2-wire service with a separate ground wire. This appliance must be grounded for safe operation.



For answers to your Monogram, GE Café™ Series, GE Profile™ Series or GE Appliances product questions, visit our website at geappliances.com or call GE Answer Center® Service, 800.626.2000.



Certified to NSF Standard 184 for sanitation



Listed by Underwriters Laboratories



As an ENERGY STAR® partner, GE has determined that this product meets the ENERGY STAR guidelines for energy efficiency.

Specification Revised 4/20

GDT635HMM/HSM

GE® Hybrid Stainless Steel Interior Dishwasher with Hidden Controls

FEATURES AND BENEFITS

WiFi – Monitor performance, check status and automatically reorder detergent using your mobile device.

Dry Boost – Gets hard-to-dry items up to 3 times dryer than standard dry cycles

Active Flood Protect – An internal sensor prevents the dishwasher from overflowing, so you have peace of mind with every cycle (Available June 2020)

4 Bottle Wash Jets – Clean hard-to-reach areas inside tall items with up to 4 dedicated jets integrated into the upper rack that shower water deep inside for the ultimate clean

Wash Zones – Wash a true half-load in either the upper or lower rack without sacrificing cycles and options available on a full wash

Three-level 600 Series Wash System – Get full wash coverage from three pressurized wash zones.

Steam Sanitizing Wash – A sanitize setting reduces 99.999% of bacteria found on dishes, and a steam setting loosens tough soils, so there's no need to pre-rinse dishes

Dedicated Silverware Jets – Get table-ready silverware thanks to powerful jets that focus on silverware baskets

Piranha Hard Food Disposer – To ensure consistently clean items, this stainless steel blade rotates at 3,600 RPM to pulverize food particles and helps to prevent large particles from clogging the wash arms

1 Hr Wash – Enjoy a quality clean when you're short on time

AutoSense cycle – Automatically adjusts to soil level to maximize energy savings and ensure clean dishes

dB48

Model GDT635HSMSS – Stainless steel

Model GDT635HMMES – Slate

