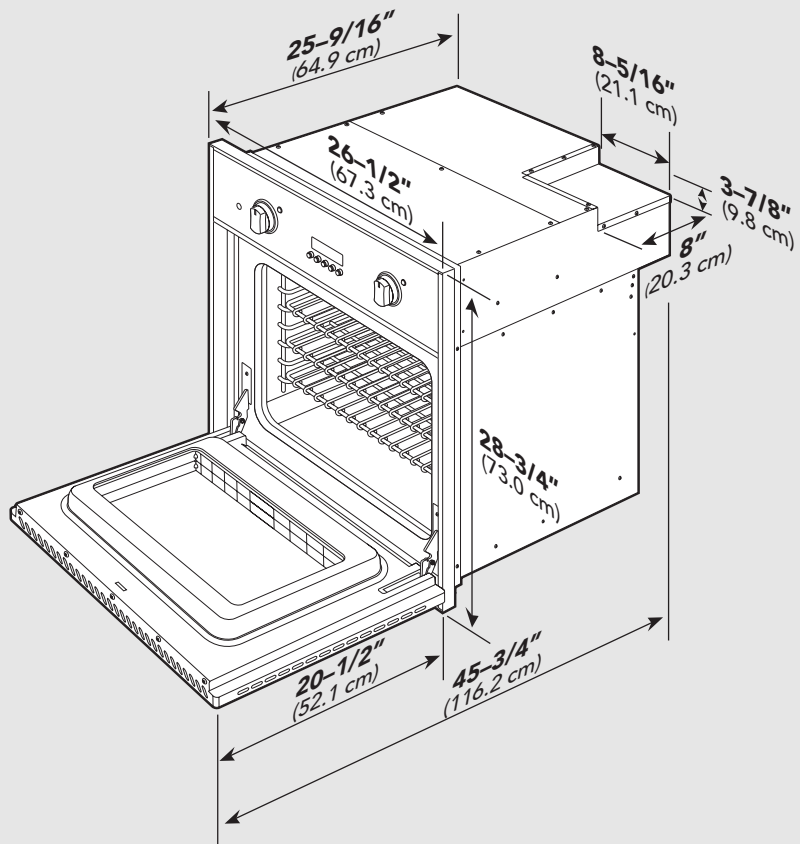
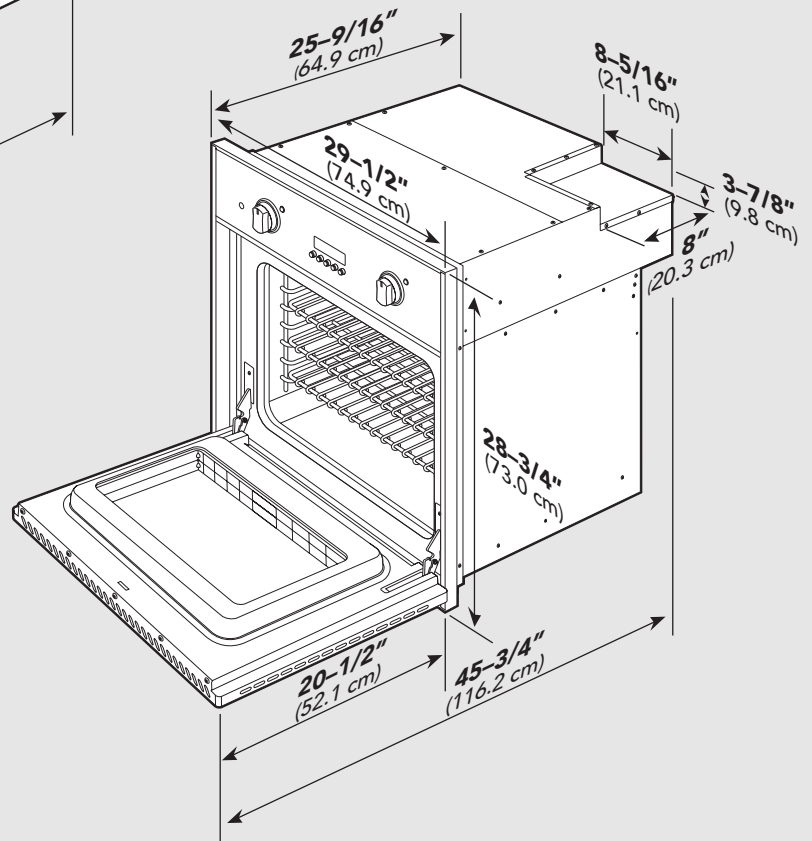


# Dimensions—Single Oven (Professional Series)

27" Wide



30" Wide



# Specifications & Electrical Requirements

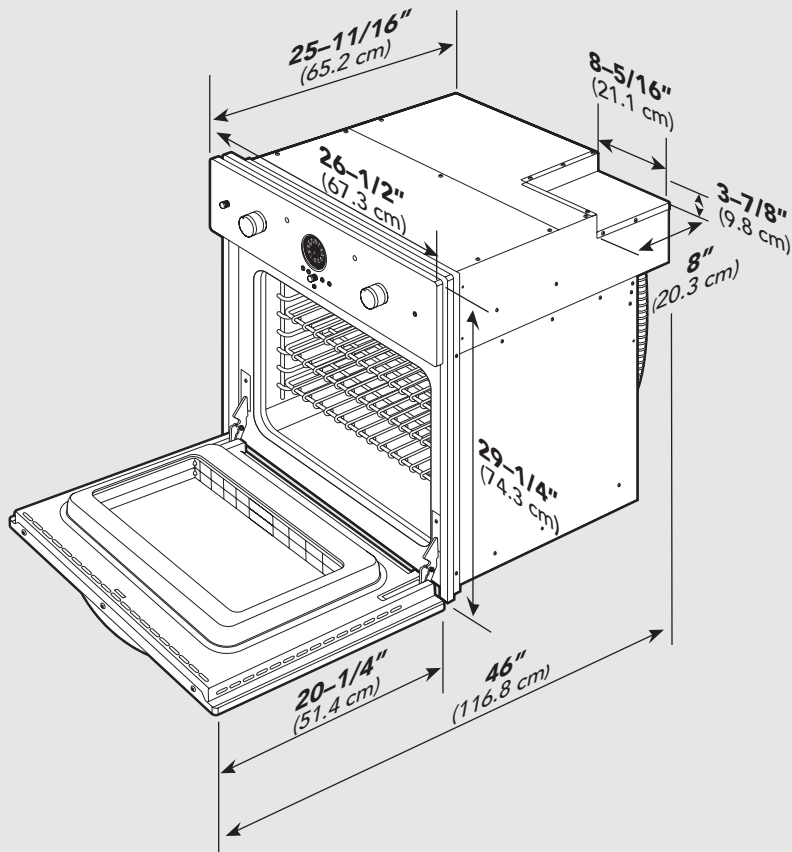
<b>Professional Single Oven</b>		
<b>Description</b>	<b>VESO127/527–27" Wide</b>	<b>VESO130/530–30" Wide</b>
Overall Width	26 1/2" (67.3 cm)	29 1/2" (74.9 cm)
Overall Height	28 3/4" (73.0 cm)	
Overall Depth	to edge of door—25 9/16" (64.9 cm) with door open—45 3/4" (116.2 cm)	
Cutout Width	25 1/2" (64.8 cm)	28 1/2" (72.4 cm)
Cutout Height	28 1/8" (71.4 cm)	
Cutout Depth	24" (61.0 cm)	
Electrical Requirements	4-wire ground, 240VAC, 30 amp electrical connection Unit equipped with No.10 ground wire in unit. Fuse separately.	
Maximum Amp Usage	24.0 amps—240 VAC 20.8 amps—208 VAC	
Oven Interior Width	22 5/16" (56.7 cm)	25 5/16" (64.3 cm)
Oven Interior Height	16 1/2" (41.9 cm)	
Oven Interior Depth	16 13/16" (42.7 cm)	
Oven Volume (measured to AHAM standard)*	3.6 cu. ft.	4.1 cu. ft.
Oven Volume (total oven cavity)	4.2 cu. ft.	4.8 cu. ft.
Approximate Shipping Weight	237 lbs. (108 kg)	261 lbs. (118 kg)

\*The AHAM Standard for measuring oven capacity subtracts the door plug and convection baffle dimension from the total oven volume.

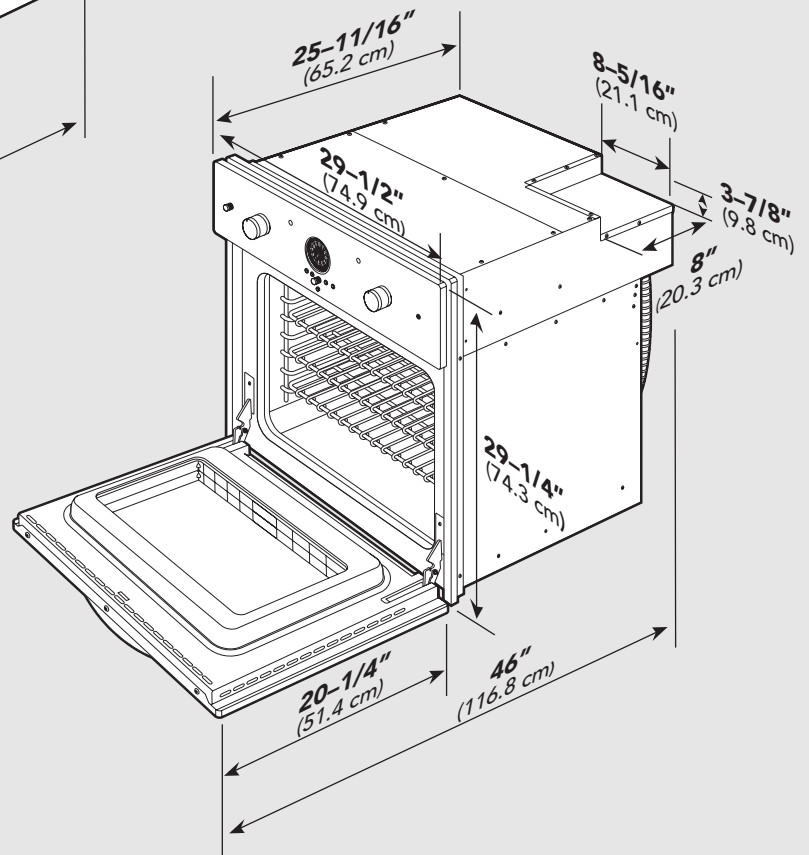
# Dimensions—Single Oven

(Designer Series—Mechanical and Touch Control Models)

27" Wide



30" Wide



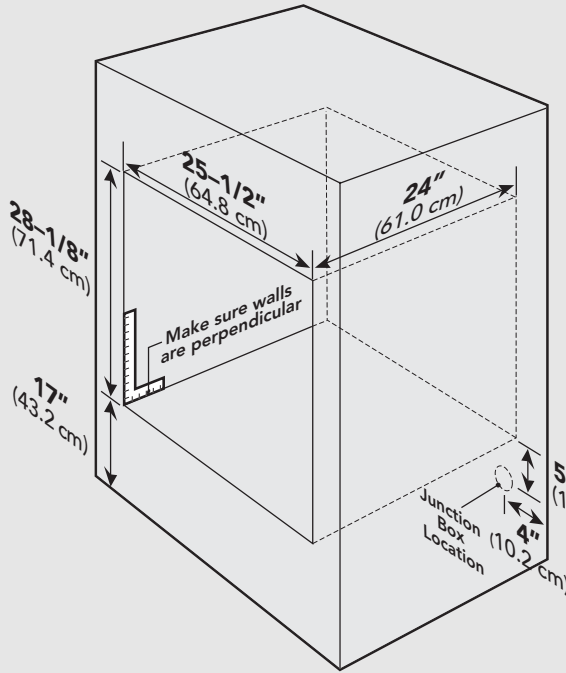
# Specifications & Electrical Requirements

<b>Designer Single Oven</b>		
<b>Description</b>	<b>DESO127(T)/527(T)—27" Wide</b>	<b>DESO130(T)/530(T)—30" Wide</b>
Overall Width	26 1/2" (67.3 cm)	29 1/2" (74.9 cm)
Overall Height	29 1/4" (74.3 cm)	
Overall Depth	to edge of door—25 11/16" (65.2 cm) with door open—46" (116.8 cm)	
Cutout Width	25 1/2" (64.8 cm)	28 1/2" (72.4 cm)
Cutout Height	28 1/8" (71.4 cm)	
Cutout Depth	24" (61.0 cm)	
Electrical Requirements	4-wire ground, 240VAC, 30 amp electrical connection Unit is equipped with No.10 ground wire in conduit. Should be fused separately.	
Maximum Amp Usage	24.0 amps—240 VAC 20.8 amps—208 VAC	
Oven Interior Width	22 5/16" (56.7 cm)	25 5/16" (64.3 cm)
Oven Interior Height	16 1/2" (41.9 cm)	
Oven Interior Depth	16 13/16" (42.7 cm)	
Oven Volume <small>(measured to AHAM standard)*</small>	3.6 cu. ft.	4.1 cu. ft.
Oven Volume <small>(total oven cavity)</small>	4.2 cu. ft.	4.8 cu. ft.
Approximate Shipping Weight	237 lbs. (108 kg)	261 lbs. (118 kg)

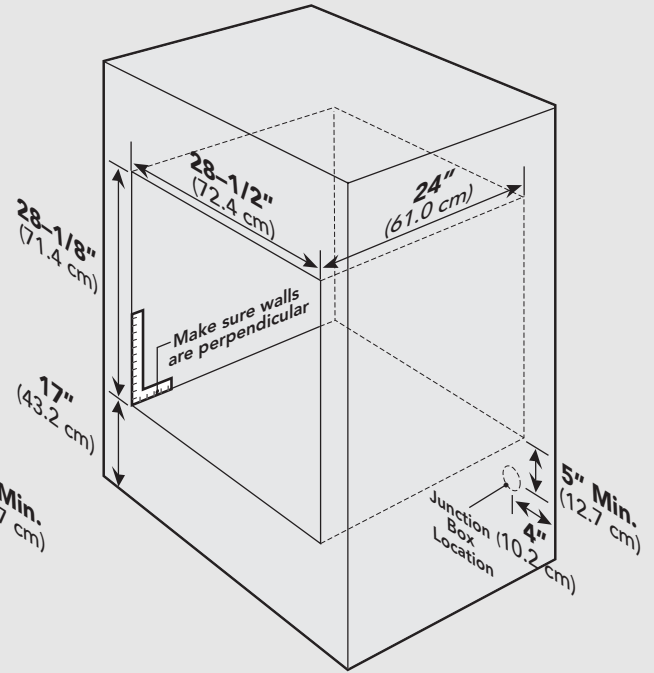
\*The AHAM Standard for measuring oven capacity subtracts the door plug and convection baffle dimension from the total oven volume.

# Cutout Dimensions—Single Oven (Professional Series)

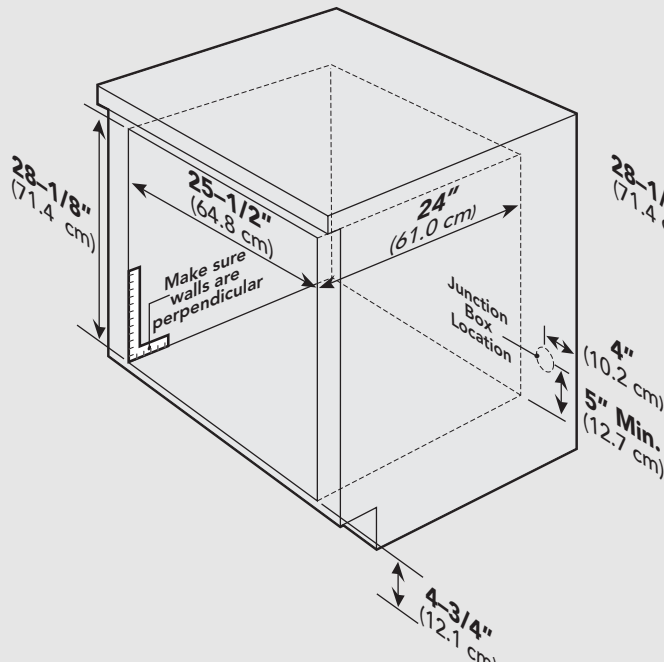
27" Wide Built-In



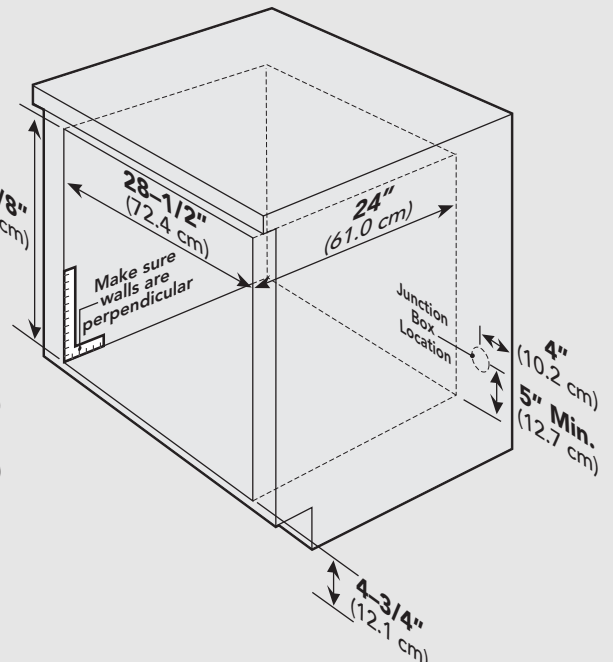
30" Wide Built-In



27" Wide Undercounter



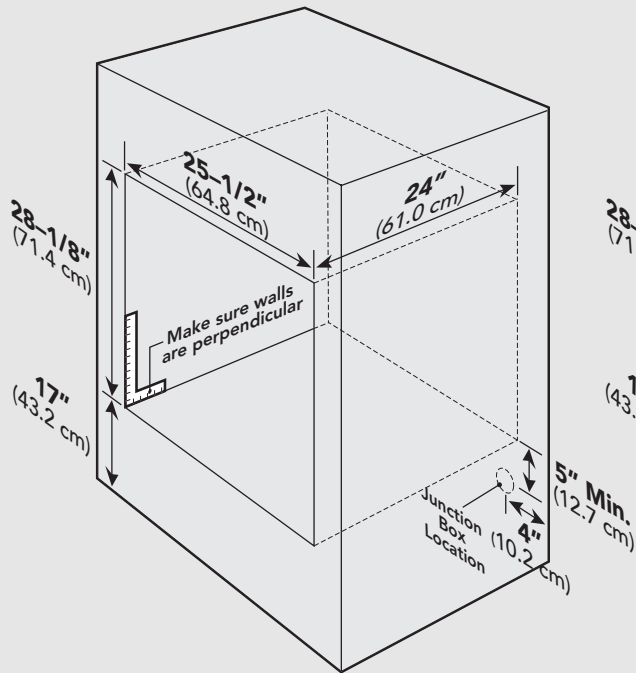
30" Wide Undercounter



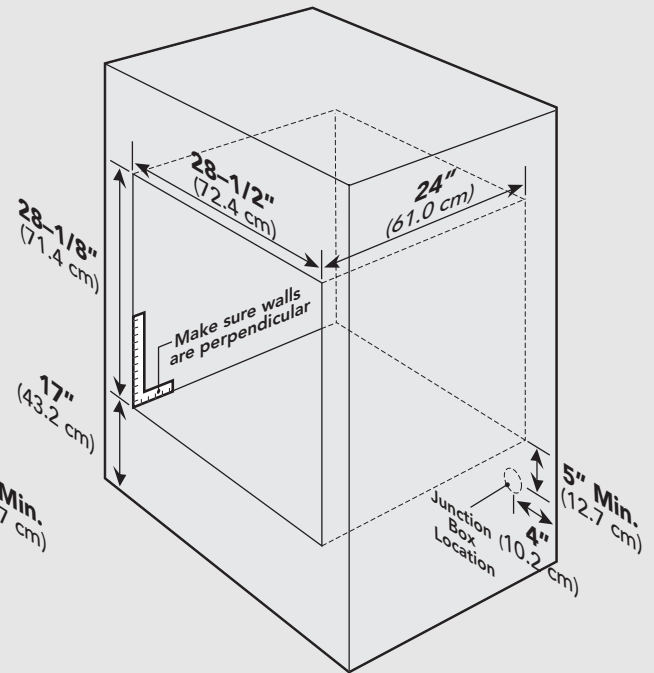
# Cutout Dimensions—Single Oven

(Designer Series—Mechanical and Touch Control Models)

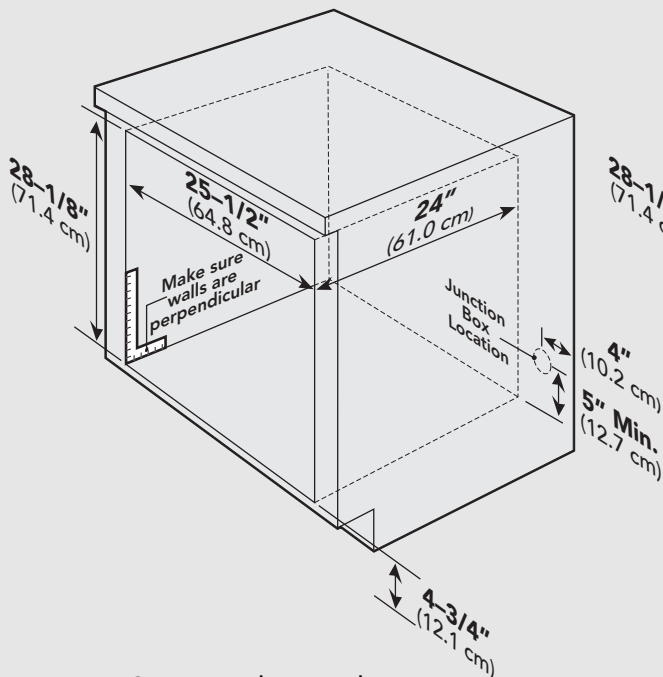
### 27" Wide Built-In



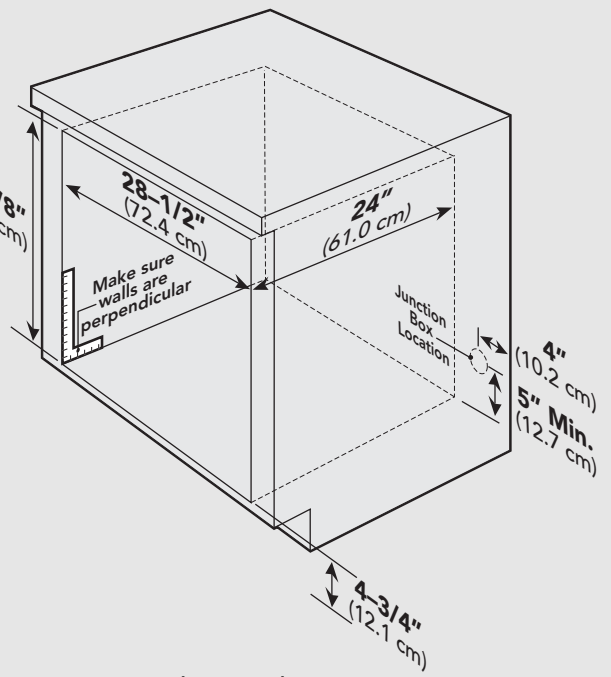
### 30" Wide Built-In



### 27" Wide Undercounter

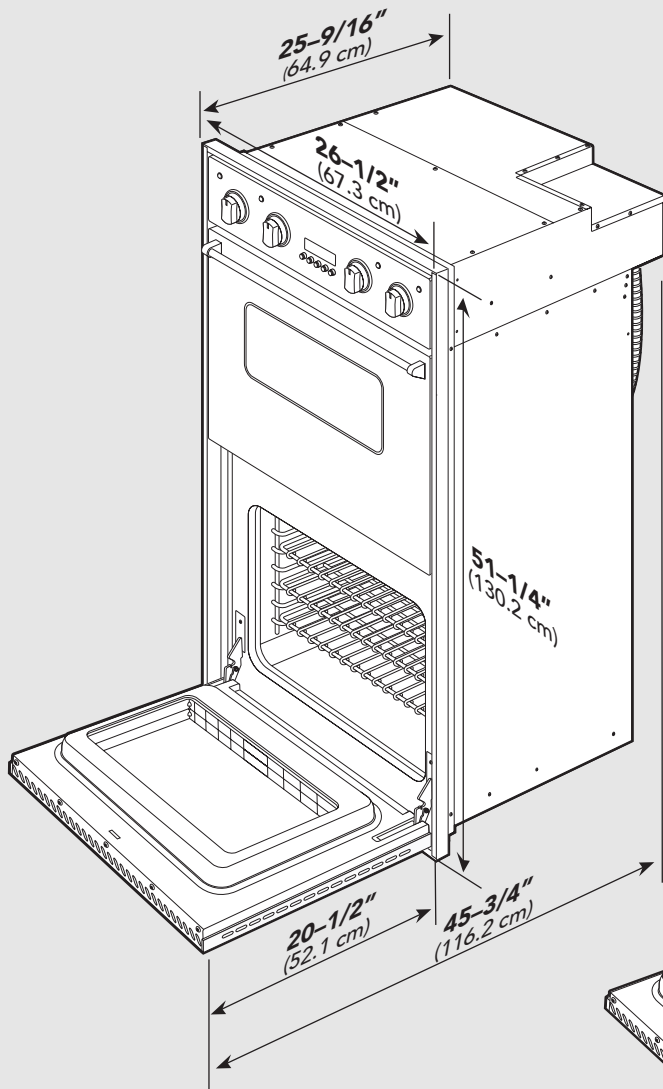


### 30" Wide Undercounter

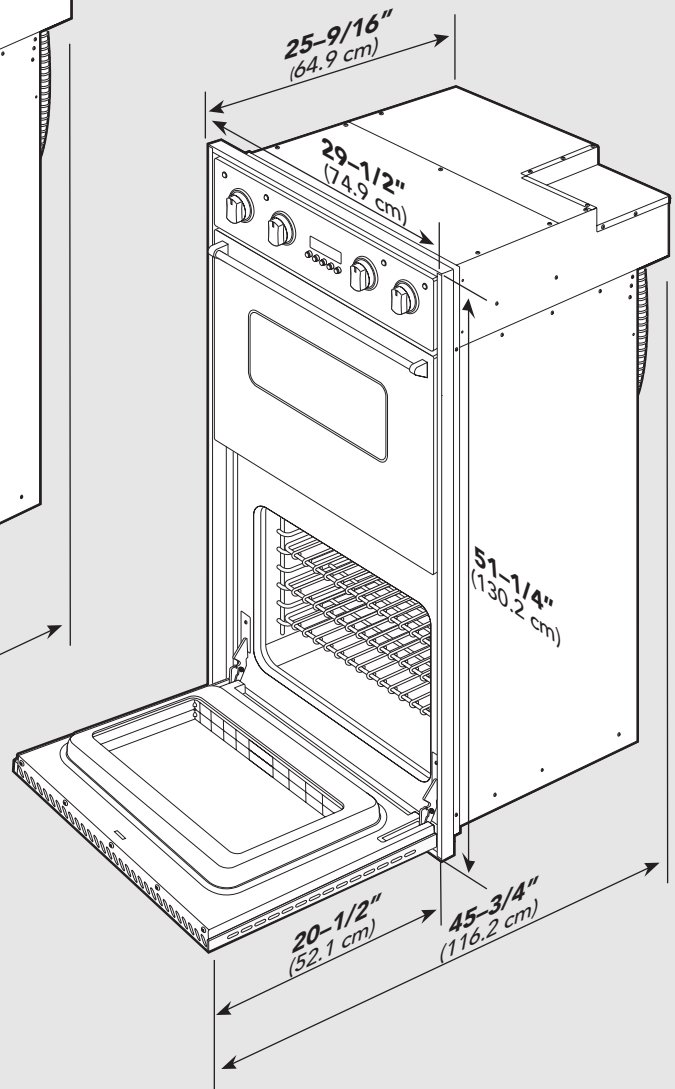


# Dimensions—Double Oven (Professional Series)

27" Wide



30" Wide



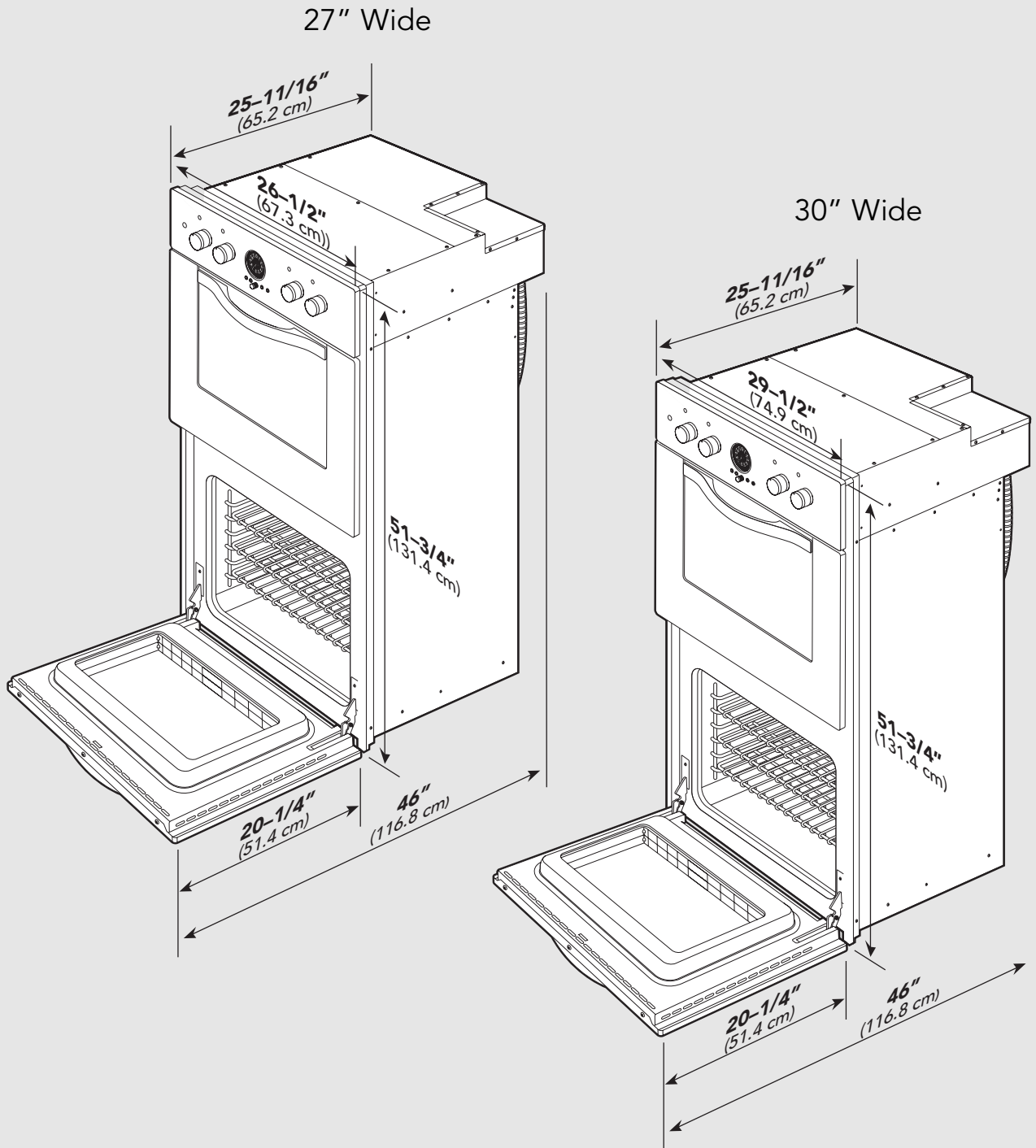
# Specifications & Electrical Requirements

<b>Professional Double Oven</b>				
<b>Description</b>	<b>VEDO127/527-27" Wide</b>		<b>VEDO130/530-30" Wide</b>	
Overall Width	26 1/2" (67.3 cm)		29 1/2" (74.9 cm)	
Overall Height	51 1/4" (130.2 cm)			
Overall Depth	to edge of door—25 9/16" (64.9 cm) with door open—45 3/4" (116.2 cm)			
Cutout Width	25 1/2" (64.8 cm)		28 1/2" (72.4 cm)	
Cutout Height	50 5/8" (128.6 cm)			
Cutout Depth	24" (61.0 cm)			
Electrical Requirements	4-wire ground, 240VAC, 50 amp electrical connection Unit is equipped with No.10 ground wire in conduit. Should be fused separately.			
Maximum Usage	40.0 amps—240 VAC 34.7 amps—208 VAC			
Oven Interior Width—both ovens	22 5/16" (56.7 cm)		25 5/16" (64.3 cm)	
Oven Interior Height—both ovens	16 1/2" (41.9 cm)			
Oven Interior Depth—upper oven	16 13/16" (42.7 cm)			
Oven Interior Depth—lower oven	VEDO127 18 9/16" (47.1 cm)	VEDO527 16 13/16" (42.7 cm)	VEDO130 18 9/16" (47.1 cm)	VEDO530 16 13/16" (42.7 cm)
Oven Volume—upper oven (measured to AHAM standard)*	3.6 cu. ft.		4.1 cu. ft.	
Oven Volume—upper oven (total oven cavity)	4.2 cu. ft.		4.8 cu. ft.	
Oven Volume—lower oven (measured to AHAM standard)*	VEDO127 4.0 cu. ft.	VEDO527 3.6 cu. ft.	VEDO130 4.5 cu. ft.	VEDO530 4.1 cu. ft.
Oven Volume—lower oven (total oven cavity)	4.2 cu. ft.		4.8 cu. ft.	
Approximate Shipping Weight	360 lbs. (163 kg)		402 lbs. (182 kg)	

\*The AHAM Standard for measuring oven capacity subtracts the door plug and convection baffle dimension from the total oven volume.

# Dimensions—Double Oven

(Designer Series—Mechanical and Touch Control Models)



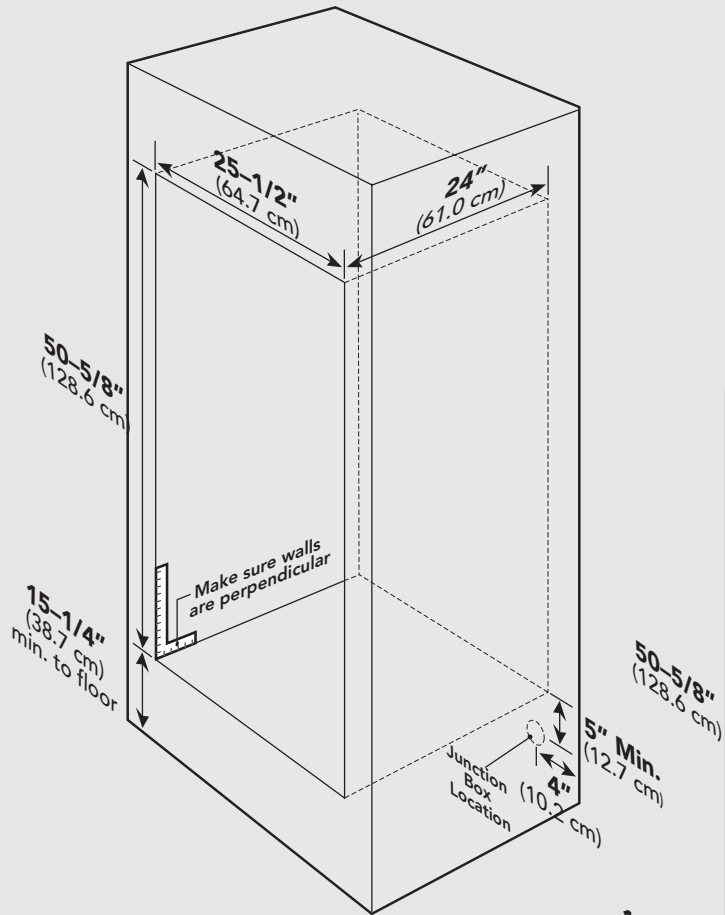
# Specifications & Electrical Requirements

<b>Designer Double Oven</b>				
<b>Description</b>	<b>DEDO127(T)/527(T)—27" Wide</b>		<b>DEDO130(T)/530(T)—30" Wide</b>	
Overall Width	26 1/2" (67.3 cm)		29 1/2" (74.9 cm)	
Overall Height	51 3/4" (131.4 cm)			
Overall Depth	to edge of door—25 11/16" (65.2 cm) with door open—46" (116.8 cm)			
Cutout Width	25 1/2" (64.8 cm)		28 1/2" (72.4 cm)	
Cutout Height	50 5/8" (128.6 cm)			
Cutout Depth	24" (61.0 cm)			
Electrical Requirements	4-wire ground, 240VAC, 50 amp electrical connection Unit is equipped with No.10 ground wire in conduit. Should be fused separately.			
Maximum Usage	40.0 amps—240 VAC 34.7 amps—208 VAC			
Oven Interior Width—both ovens	22 5/16" (56.7 cm)		25 5/16" (64.3 cm)	
Oven Interior Height—both ovens	16 1/2" (41.9 cm)			
Oven Interior Depth—upper oven	16 13/16" (42.7 cm)			
Oven Interior Depth—lower oven	DEDO127 18 9/16" (47.1 cm)	DEDO527 16 13/16" (42.7 cm)	DEDO130 18 9/16" (47.1 cm)	DEDO530 16 13/16" (42.7 cm)
Oven Volume—upper oven (measured to AHAM standard)*	3.6 cu. ft.		4.1 cu. ft.	
Oven Volume—upper oven (total oven cavity)	4.2 cu. ft.		4.8 cu. ft.	
Oven Volume—lower oven (measured to AHAM standard)*	DEDO127 4.0 cu. ft.	DEDO527 3.6 cu. ft.	DEDO130 4.5 cu. ft.	DEDO530 4.1 cu. ft.
Oven Volume—lower oven (total oven cavity)	4.2 cu. ft.		4.8 cu. ft.	
Approximate Shipping Weight	360 lbs. (163 kg)		402 lbs. (182 kg)	

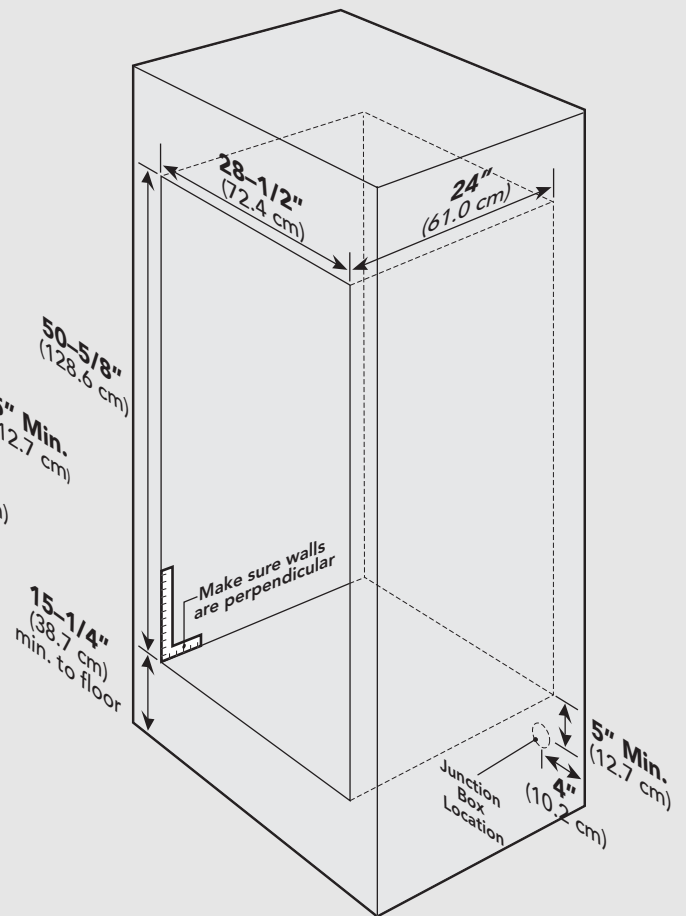
\*The AHAM Standard for measuring oven capacity subtracts the door plug and convection baffle dimension from the total oven volume.

# Cutout Dimensions—Double Oven (Professional Series)

## 27" Wide Built-In



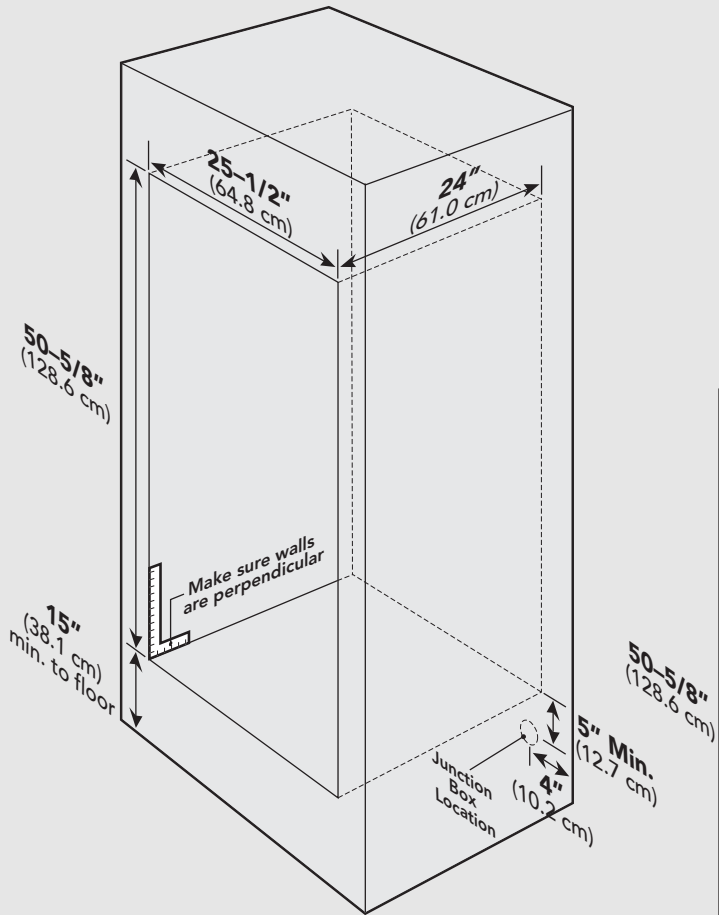
## 30" Wide Built-In



# Cutout Dimensions—Double Oven

(Designer Series—Mechanical and Touch Control Models)

## 27" Wide Built-In



## 30" Wide Built-In

