

FRIGIDAIRE GALLERY®

FGIP2468UF

DISHWASHER

24" BUILT-IN

Smudge-Proof
STAINLESS STEEL



AVAILABLE COLORS



PRODUCT DIMENSIONS

Height (Min. - Max.)	33-1/2" - 35"
Width	24"
Depth	25"

MORE EASY-TO-USE FEATURES

Automatically Adjusts Cycles Taking the Guesswork Out of Cleaning

DishSense™ Technology automatically adjusts the wash cycle based on how much cleaning your dishes need for an effective clean.

National Sanitation Foundation® Certified

Sanitize cycle removes 99.9% of common household bacteria.³

Cleans 14 Place Settings

Clean up to 14 place settings in one cycle.

Multiple Cleaning Cycle Options

Features easy-to-use cleaning cycle options including Rinse Only, Heavy Clean and Upper Rack.

Energy Saver Plus Cycle

Eco-friendly cycle uses less energy without compromising cleaning performance.

ENERGY STAR® - Certified

Maximize your energy and dollar savings with ENERGY STAR®-Certified Appliances.

Quiet Operation Won't Run You Out of the Room

So quiet you can run your dishwasher while you're in the same room — runs at only 49 dBAs.

Adjustable Washing Pressure

AquaSurge™ Technology allows you to adjust washing pressure based on your needs.

Smudge-Proof™ Stainless Steel Finish

Resists fingerprints and cleans easily.

CERTIFICATIONS

ENERGY STAR®



NSF® International
Certification



¹ Wash performance tested among competitive units under \$799.

² Dry performance tested among competitive units under \$799.

³ Our products meet the NSF® testing standards.

SIGNATURE FEATURES



Ultimate Clean with Dual OrbitClean®

The Dual OrbitClean® Wash System removes tough, dried and baked on food better than any other dishwasher.¹



Excellent Drying Performance

The fastest, best overall drying performance with MaxBoost™ Dry.²



Cleans Dishes of All Sizes

SpaceWise® Adjustable Rack allows you to adjust your top rack with ease. Quickly raise and lower your rack to fit dishes and kitchen tools of all shapes and sizes.



Time-Saving 34-Minute Quick Wash

Saves you time — cleans dishes in 34 minutes.

FGIP2468UF DISHWASHER

24" BUILT-IN

FRIGIDAIRE
GALLERY

FEATURES

Control Design	Fully-Integrated Express-Select®
Digital Display	Yes
Door Latch	Yes
Stay-Put Door Hinge Design	Yes
Low Rinse-Aid Indicator Light	Yes
Interior Color	Greystone
Interior Design	Tall Tub
Wash System	Direct Feed
Wash Arms	Dual OrbitClean®
Wash Levels	5
Wash Speeds	3
DishSense™ Technology	Yes
AquaSurge™ Technology	Yes
Sound Package	SilentDesign™ I
Filter	Stainless Steel
Filter Trap	Removable
Smart Soil Sensor	Yes
Food Disposer	Yes (Hard)
dB Level	49
Drying System	MaxBoost™ Dry

CYCLES

Number of Cycles	8
PowerPlus™ (Heavy Wash)	Yes
Normal Wash	Yes
Quick Wash (34-Min.)	Yes
Favorite	Yes
China Crystal	Yes
Rinse Only	Yes
Energy Saver Plus	Yes
Top Rack	Yes

OPTIONS

MaxBoost™ Dry	Yes
Heat / No Heat Dry	Yes
Wash Pressure	Yes
Hi-Temp Wash	Yes
NSF® Certified Sanitize Rinse	Yes
Delay Start	1-24 Hour

RACK SYSTEM

Rack Design	Supreme
Rack Coating	Nylon TufRacks™

Lower Rack -

Ultra 1 Silverware Basket	3-Piece Split
Small Items Cover	2
Fold-Down Tines	2 Full Rows

Upper Rack -

Stemware	Yes
Champagne Glass Holders	Yes
Fold-Down Tines	Yes
Cup Shelves	2
Stemware Grips	No
Adjustable Rack	Yes

CERTIFICATIONS

ENERGY STAR® - Certified	Yes
NSF® International Certification	Yes

SPECIFICATIONS

Water Inlet Location	Left Bottom Front
Water Usage (Gallons)	4.9 - 8.5 (Normal Cycle)
Water Pressure (PSI)	20 - 120
Integral Air Gap on Supply	Yes
Leveling Legs	Yes
Power Supply Connection Location	Right Bottom Front
Voltage Rating	120V / 60 Hz / 15A
Connected Load (kW Rating) @ 120 Volts¹	1.20
Amps @ 120 Volts	10.0
Shipping Weight (Approx.)	83 Lbs.

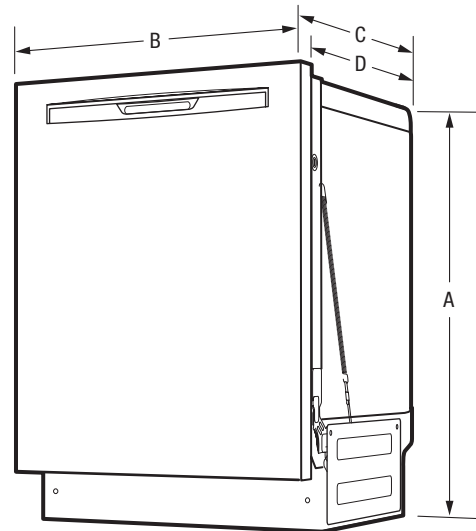
¹ For use on adequately wired 120V, dedicated circuit having 2-wire service with a separate ground wire. Appliance must be grounded for safe operation.

PRODUCT DIMENSIONS

A - Height (Adjustable)	33-1/2" - 35"
B - Width	24"
C - Depth (Including Door)	25"
D - Depth (To Tub Flange)	22-1/2"
Depth with Door Open 90°	49-1/4"

CUTOUT DIMENSIONS

Height (Min.)	34-1/4"
Height (Max.)	35-3/4"
Width (Min.)	24"
Depth (Min.)	24"



Note: For planning purposes only. Always consult local and national electric, gas and plumbing codes. Refer to Product Installation Guide for detailed installation instructions on the web at frigidaire.com.

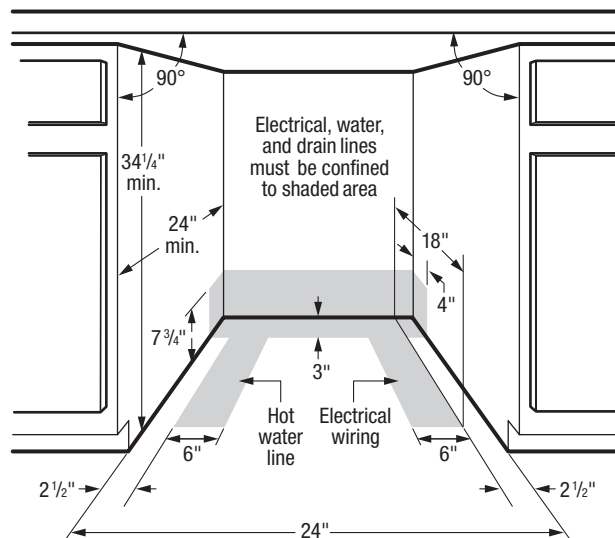
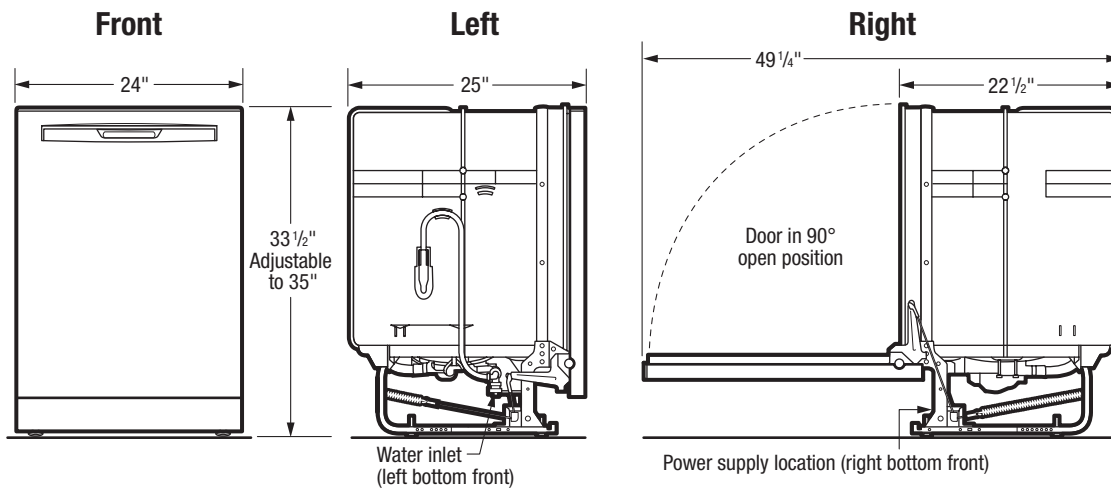
Specifications subject to change. Accessories information available on the web at frigidaire.com



FRIGIDAIRE

USA • 10200 David Taylor Drive • Charlotte, NC 28262 • 1-800-FRIGIDAIRE • frigidaire.com
CANADA • 5855 Terry Fox Way • Mississauga, ON L5V 3E4 • 1-800-265-8352 • frigidaire.ca

FGIP2468U 02/19
© 2019 Electrolux Home Products, Inc.



INSTALLATION SPECIFICATIONS

- Product Shipping Weight (approx.) – 83 Lbs.
- Voltage Rating – 120V / 60 Hz / 15 Amps (maximum 20 Amps if connected with disposer)
- Connected Load (kW Rating) @ 120 Volts = 1.20kW (For use on adequately wired 120V, dedicated circuit having 2-wire service with a separate ground wire. Appliance must be grounded for safe operation.)
- Amps @ 120V = 10 Amps
- Always consult local and national electric & plumbing codes. Meets requirements of ASSE 1006—integral air gap on supply.
- Water Pressure – Hot water line to dishwasher must provide between 20 and 120 pounds per square inch (psi) with at least 120°F hot water temperature.
- Make sure location has correct drain, water and electrical outlets to make connections—MUST be confined to shaded areas.
- Electrical and water supplies should enter cabinet opening on floor, or through back or side walls, as shown in shaded areas.
- Keep back free of drain, water & electrical supply.
- Connections preferably located toward left side of dishwasher. Do not cross drain, water or electrical lines in front of motor, blower or frame.
- If connecting drain hose to sink trap, local code may require installation of Air Gap Kit (not included).
- Leveling legs supplied to adjust height.
- When installing adjacent to wall, cabinet or other obstruction that extends beyond front edge of unit, allow 2" minimum clearance between opened door and obstruction.
- Floor should be flat and free of obstructions with carpet removed to provide motor clearance.
- When installing at end of cabinet line, sides and back must be fully enclosed.
- Do not install unit under a cooktop, damage will occur.
- Recommended to seal cabinets, enclosing all sides of dishwasher, including underside of countertop, with oil-based paint or moisture-proof polyurethane to prevent possible steam/moisture damage.



Note: For planning purposes only. Always consult local and national electric, gas and plumbing codes. Refer to Product Installation Guide for detailed installation instructions on the web at frigidare.com.

Specifications subject to change. Accessories information available on the web at frigidare.com