

FISHER & PAYKEL

PRELIMINARY SPECIFICATION GUIDE

INSERT RANGE HOOD



OVERVIEW

This high-quality insert range hood seamlessly blends with cabinetry and can be installed in a variety of kitchen layouts. Beautiful in its simplicity, the brushed finished surfaces and baffle filters have no visible screws. The energy efficient LED strip-lighting is dimmable with fader controls. It casts a warm glow evenly across the cooking surface with no glare, shadow or dark spots and brings out the natural color of food. The simple 'push and release' clip-in mechanism allows for easy installation.

MODELS

30" Insert Range Hood, 400 CFM, 11" Depth
HPB3011-4*

36" Insert Range Hood, 400 CFM, 11" Depth
HPB3611-4*

36" Insert Range Hood, 1200 CFM, 19" Depth
HPB3619-12

48" Insert Range Hood, 1200 CFM, 19" Depth
HPB4819-12

*Meets IRC regulations.

FEATURES

- ① Seamlessly integrated
- ② Quiet and energy efficient blower
- ③ Dimmable LED strip-lighting creates a warm, even glow
- ④ Customizable in wall cabinetry, canopy or island
- ⑤ Two depths (11" and 19") to fit a range of standard upper cabinetry and custom canopy cabinetry designs
- ⑥ 'Push and release' mounting system enables easy installation
- ⑦ Edge to edge grease-capturing zone
- ⑧ Remote control*
- ⑨ Intuitive LED-illuminated soft-touch buttons

*HPB3619-12 and HPB4819-12.

FISHER & PAYKEL

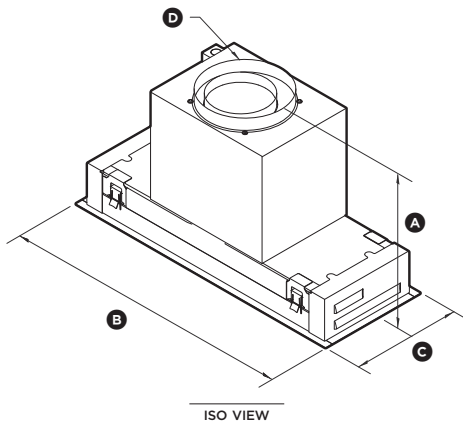
PRELIMINARY SPECIFICATION GUIDE

30" INSERT RANGE HOOD, 400 CFM, 11" DEPTH

SPECIFICATIONS

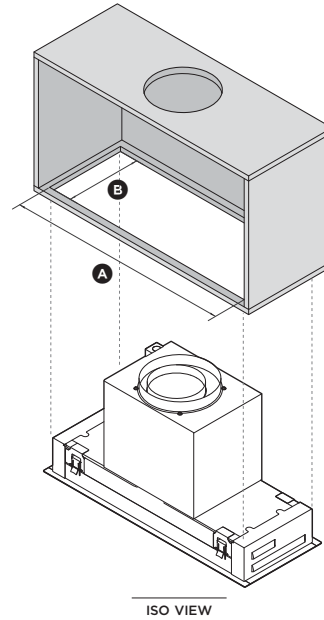
Model No.	HPB3011-4
Dimensions	H 16 1/4" (412mm) x W 28 3/4" (730mm) x D 11" (280mm)
Diameter of vent connection	8" (203mm)
Weight	36lb (17kg)
Install option	External ducting of exhaust air
Minimum distance above cooktops	Consult cooktop installation guide for required installation height of range hood
Electrical	
Supply	120VAC, 60Hz
Service	15-amp circuit
Receptacle	Hardwired
Light source	
Type	LED strip
Temperature	2700K

PRODUCT DIMENSIONS



		in	mm
(A)	Height of range hood (incl. duct adaptor)	16 1/4	412
(B)	Overall width of range hood	28 3/4	730
(C)	Overall depth of range hood (excl. cabinetry front panel)	11	280
(D)	Diameter of ducting adaptor	8 1/4	210

CAVITY DIMENSIONS: STANDARD INSTALLATION



		in	mm
(A)	Width of cutout	27 3/4	705
(B)	Depth of cutout	10 1/16	255

Note: We recommend the cabinet has a door or service panel that can easily be opened to access the power connection.

FISHER & PAYKEL

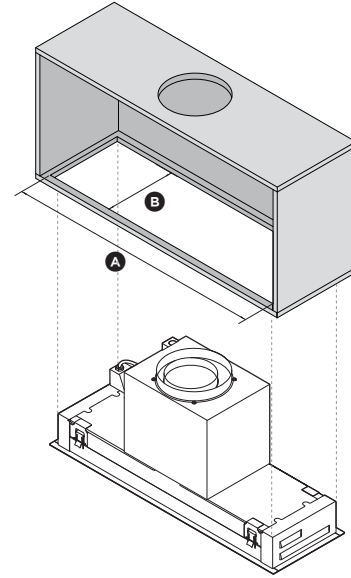
PRELIMINARY SPECIFICATION GUIDE

36" INSERT RANGE HOOD, 400 CFM, 11" DEPTH

SPECIFICATIONS

Model No.	HPB3611-4
Dimensions	H 16 1/4" (412mm) x W 34 5/8" (880mm) x D 11" (280mm)
Diameter of vent connection	8" (203mm)
Weight	41lb (19kg)
Install option	External ducting of exhaust air
Minimum distance above cooktops	Consult cooktop installation guide for required installation height of range hood
Electrical	
Supply	120VAC, 60Hz
Service	15-amp circuit
Receptacle	Hardwired
Light source	
Type	LED strip
Temperature	2700K

CAVITY DIMENSIONS: STANDARD INSTALLATION

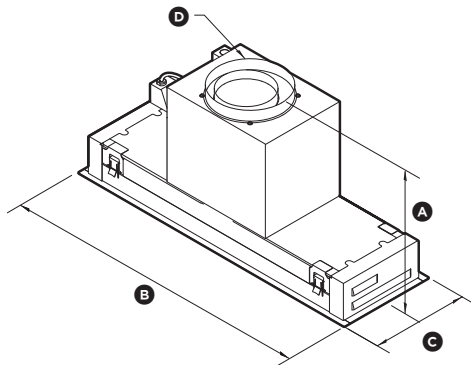


ISO VIEW

		in	mm
(A)	Width of cutout	33 11/16	855
(B)	Depth of cutout	10 1/16	255

Note: We recommend the cabinet has a door or service panel that can easily be opened to access the power connection.

PRODUCT DIMENSIONS



ISO VIEW

		in	mm
(A)	Height of range hood (incl. duct adaptor)	16 1/4	412
(B)	Overall width of range hood	34 5/8	880
(C)	Overall depth of range hood (excl. cabinetry front panel)	11	280
(D)	Outside diameter of ducting outlet adaptor	8 1/4	210

FISHER & PAYKEL

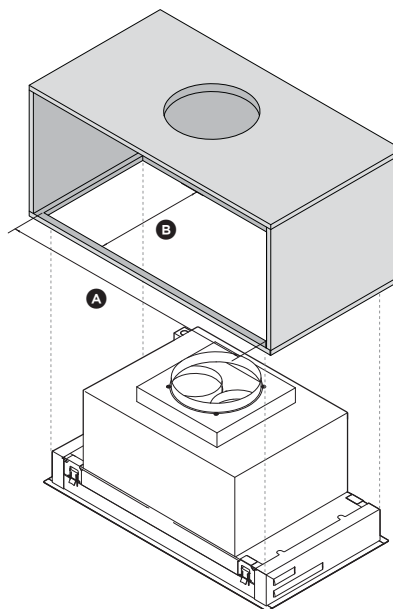
PRELIMINARY SPECIFICATION GUIDE

36" INSERT RANGE HOOD, 1200 CFM, 19" DEPTH

SPECIFICATIONS

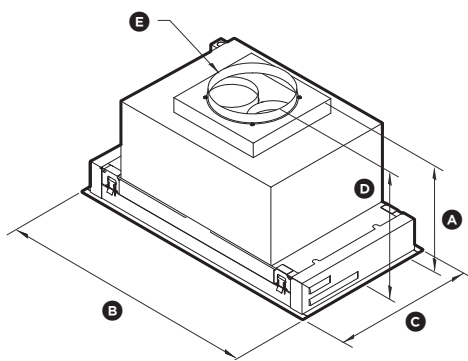
Model No.	HPB3619-12
Dimensions	H 18 3/16" (462mm) x W 34 5/8" (880mm) x D 18 7/8" (480mm)
Diameter of vent connection	10" (254mm)
Weight	68lb (31kg)
Install option	External ducting of exhaust air
Minimum distance above cooktops	Consult cooktop installation guide for required installation height of range hood
Electrical	
Supply	120VAC, 60Hz
Service	15-amp circuit
Receptacle	Hardwired
Light source	
Type	LED strip
Temperature	2700K

CAVITY DIMENSIONS: STANDARD INSTALLATION



ISO VIEW

PRODUCT DIMENSIONS



ISO VIEW

		in	mm
(A)	Width of cutout	33 11/16	855
(B)	Depth of cutout	17 15/16	455

Note: We recommend the cabinet has a door or service panel that can easily be opened to access the power connection.

		in	mm
(A)	Height of range hood to top surface of duct adaptor	16 7/8	428
(B)	Overall width of range hood	34 5/8	880
(C)	Overall depth of range hood (excl. cabinetry front panel)	18 7/8	480
(D)	Height of range hood (incl. duct adaptor)	18 3/16	462
(E)	Outside diameter of ducting outlet adaptor	9 13/16	250

FISHER & PAYKEL

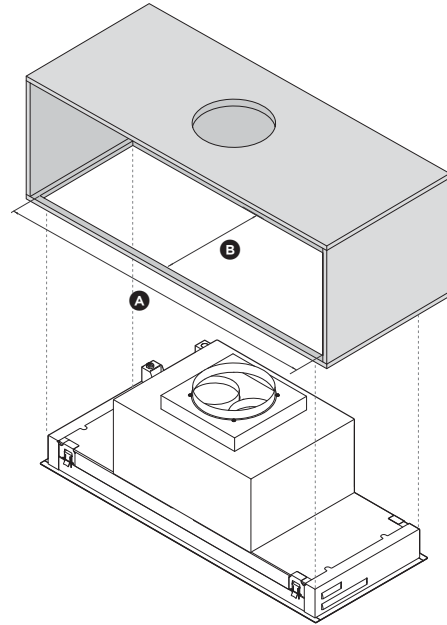
PRELIMINARY SPECIFICATION GUIDE

48" INSERT RANGE HOOD, 1200 CFM, 19" DEPTH

SPECIFICATIONS

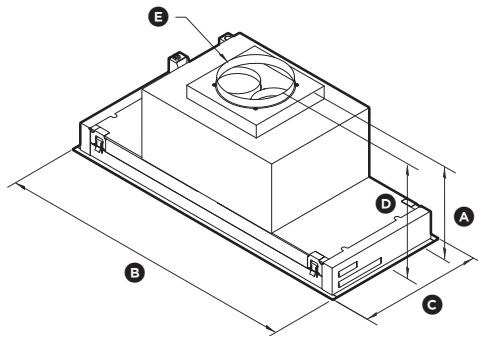
Model No.	HPB4819-12
Dimensions	H 18 3/16" (462mm) x W 46 7/16" (1180mm) x D 18 7/8" (480mm)
Diameter of vent connection	8" (254mm)
Weight	77lb (35kg)
Install option	External ducting of exhaust air
Minimum distance above cooktops	Consult cooktop installation guide for required installation height of range hood
Electrical	
Supply	120VAC, 60Hz
Service	15-amp circuit
Receptacle	Hardwired
Light source	
Type	LED strip
Temperature	2700K

CAVITY DIMENSIONS: STANDARD INSTALLATION



ISO VIEW

PRODUCT DIMENSIONS



ISO VIEW

		in	mm
(A)	Width of cutout	45 1/2	1155
(B)	Depth of cutout	17 15/16	455

Note: We recommend the cabinet has a door or service panel that can easily be opened to access the power connection.

		in	mm
(A)	Height of range hood to top surface of duct adaptor	16 7/8	428
(B)	Overall width of range hood	46 7/16	1180
(C)	Overall depth of range hood (excl. cabinetry front panel)	18 7/8	480
(D)	Height of range hood (incl. duct adaptor)	18 3/16	462
(E)	Outside diameter of ducting outlet adaptor	9 13/16	250