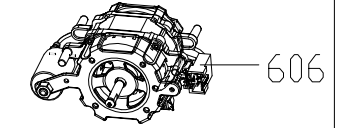
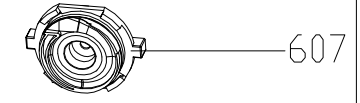


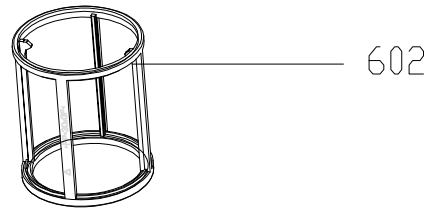
601



606



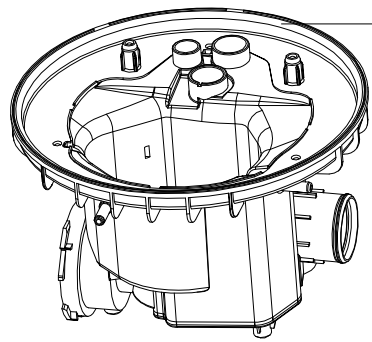
607



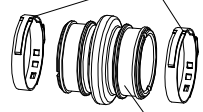
602



608



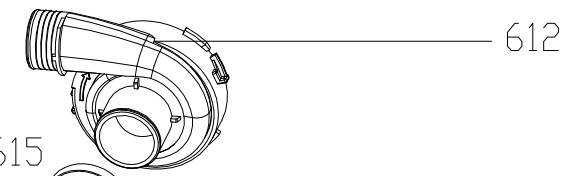
605



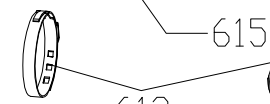
614



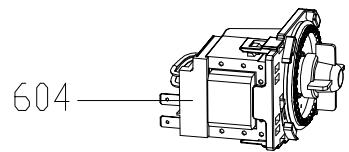
611



612



615



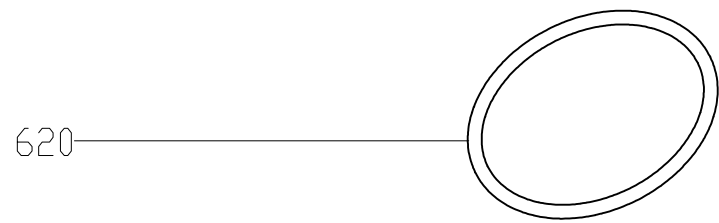
604



613



616



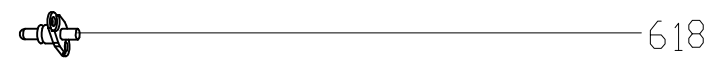
620



617



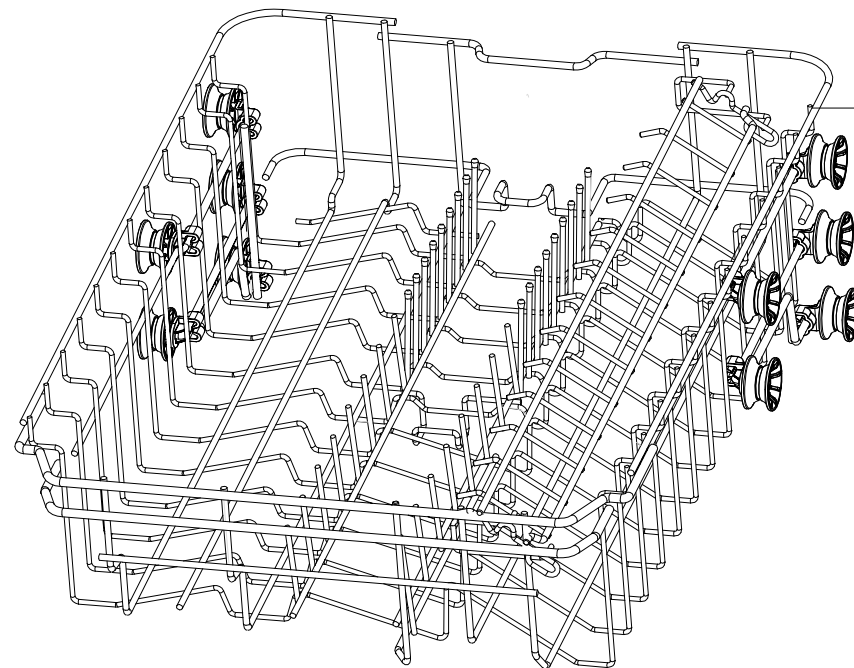
621



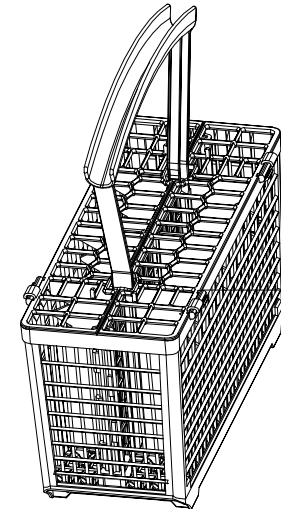
618



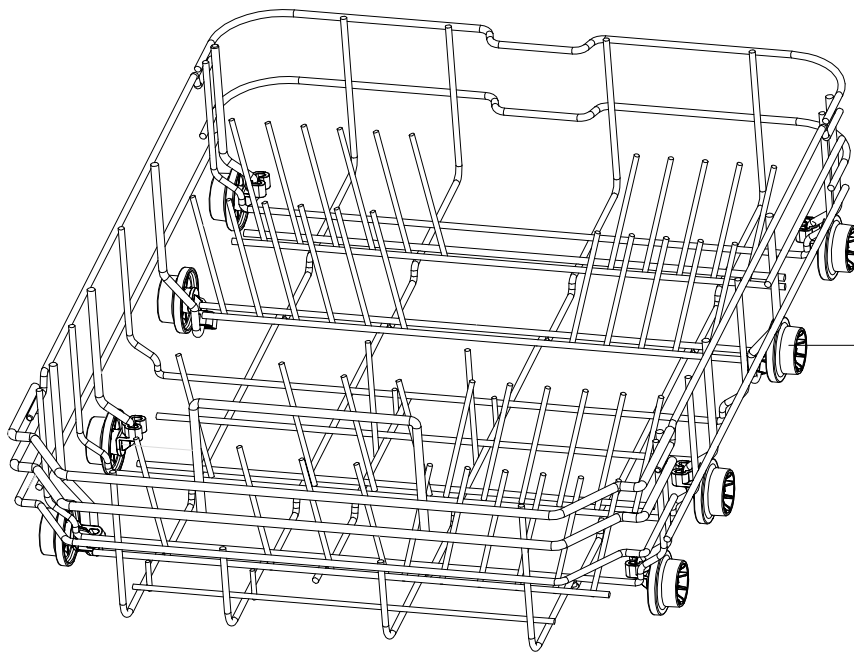
619



701



703



702

NO.	Part No.	Description	Qty.
101	12176000002346	doorknob cover	1
102	12176000022486	waterproof cover	1
103		control panel	1
104		control panel cover sticker	1
105	12276000006494	out door	1
106	17176000021062	display pcb board	1
201	12676000003401	Air vent window gasket	1
202	12176000022487	Air vent window	1
203	12676000000744	Air vent seal	1
204	12176000022490	Air vent window nut	1
205	12176000009495	door lock hook	1
206	12276000012581	Inner door	1
207	12276000001731	left hinge assembly	1
208	12276000001778	right hinge assembly	1
209	17476000007262	dispenser	1
210	12276000001810	hinge join board	1
211	12176000003629	friction strip hooking clamping	2
212	12176000008565	Lock buckle fixing block	1
213	12676000001038	Waterproof silica gel pad	1
301	12276000012578	tank assembly	1
302	12176000008496	basket guider link stopper(back)	2
303	12276000001357	upper basket guider(left)	1
304	12276000001360	upper basket guider(right)	1
305	12176000010412	rail support assembly	4
306	12176000008573	basket guider supporting holder	4
307	12276000012470	left side panel	1
308	12276000012465	right side panel	1
309	12276000012467	left bracket	1
310	12276000012468	right bracket	1
311	17476000000035	door switch	1
312	17476000007223	heater	1
315	12676000003841	tank seal	1
401	12176000022349	base plate	1
402	12176000022483	air breather	1
403	12176000008440	connection block	2
404	12176000008598	tub support	2
405	12176000022348	base pan	1
406	12176000009726	foot	4
407	12276000012469	motor bracket	1
408	12276000008925	pump support assembly	1
409	12176000022347	Floatholderassembly	1
410	17476000001206	pressure switch	1
411	17476000007222	inletvalve	1
412	12176000022345	inlet valve block	1
413	12176000022344	PCB Box	1
414	17176000021065	PCB	1
415	12176000022346	PCB box cover	1
416	12276000001798	Junction box A	1
417	12276000001800	Junction box B	1
418	12276000012471	anti-noise borad	1
419	12276000012466	kitch board	1
420	12176000013663	air breaker nut	1
421	12676000000713	air breaker seal	1
422	12676000000651	pvc pipe	1
423	12876000000050	sleeve cover	1
424	12676000000138	drain hose assembly	1
425	17476000001137	overflow switch	1
426	12976000000392	door rope	2
427	12976000000133	door spring assembly	2
428	12976000001001	adjust screw of door spring	2
501	12176000009430	inner pipe	1
502	12176000022224	Uppersprayer	1
504	12176000008645	sprayer seat	1
505	12276000012606	Lowersprayer	1
506	12176000003689	plane filter	1
601	12176000018543	filter handle	1
602	12176000003676	cylinder filter	1
604	11001011001029	Permanent magnet synchronous pump	1
605	12176000016230	Sumpassembly	1
606	11002012028203	Induction pump	1
607	12176000002603	lower pump casing	1
608	12176000008776	mpeller	1
611	12676000000780	pump gasket	1
612	12176000022488	upper pump casing	1
613	12976000000308	460 clamp	2
614	12976000004604	396 clamp	2
615	12676000000146	washing pump outlet pipe	1
616	12676000000100	washing pump inlet pipe	1
617	12676000000954	inner drain pipe	1
618	17176000000297	thermal resistor	1
619	17176000014521	thermostat	1
620	12676000001461	sump seals	1
621	12676000000188	inlet pipe	2
701	12976000004284	Upper basket	1
702	12976000004287	lower basket assembly	1
703	12176000002753	cutlery basket	1