

Integrated French Door Refrigerator Freezer, 36", Ice & Water

Series 7 | Integrated

Panel Ready



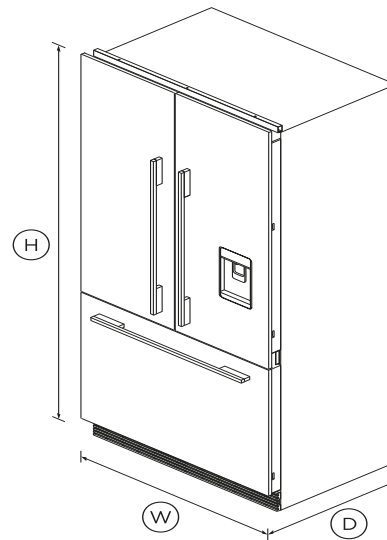
This large capacity refrigerator with bottom freezer seamlessly integrates into your kitchen, fitting flush into your cabinetry.

- ActiveSmart™ technology helps keep food fresher for longer by constantly maintaining the ideal temperature
- Stainless steel door panel purchased separately - with water dispenser option available
- Internal ice maker with boost for busy times

- Spacious bottom freezer with full extension drawer gives easy access to frozen goods

DIMENSIONS

Height	71 ¹³ / ₁₆ "
Width	35 ²¹ / ₃₂ "
Depth	23 ³ / ₄ "



FEATURES & BENEFITS

ActiveSmart™ Foodcare

ActiveSmart™ Foodcare learns how you live. It's technology which understands how you use your fridge and adjusts temperature, airflow and humidity inside to help keep food fresher for longer.

Clever energy

Your refrigerator adapts to daily use by cooling and defrosting only when needed. This means your refrigerator uses the energy it needs without compromising on food care.

Water on tap

The slimline dispenser makes it easy to fill almost any sized jug or vessel with cool filtered water and doesn't take up any storage space in your refrigerator.

Easy installation

Our integrated products are easy to install, whether you are renovating your kitchen or designing a new one. Our refrigerators are designed for minimal gaps with adjustable front and rear feet to allow for uneven floors alongside adjustable door panels that can be customized to match your kitchen.

Ice maker

Fresh ice is always available for you in a dedicated freezer bin. Simply turn it off to free up freezer space or during busy times, you can boost ice production by up to 30%.

Design quality

Our refrigerators are designed and built using quality materials. We use real stainless steel on our refrigerators and solid glass for shelving.

Humidity control

Your fruit and veges need different environments. The humidity control slides in each storage bin create a microclimate that helps keep food fresher for longer.

SPECIFICATIONS

Accessories (sold separately)

Contemporary round handle	25374
Contemporary square handle	24624
Professional round handle kit	25793
Professional square handle kit	25795
Replacement water filter	862287

Square fine aluminium handle	25854
Square fine black handle kit	25902
Stainless steel door panel	25776

Capacity

Freezer	5.1cu ft
Refrigerator	11.7cu ft

Consumption

Energy star rating	Yes
Energy usage	561kWh/year

Freezer features

Bottle chill	•
Built-in ice maker	•
Door alarm	•
Fast freeze	•
Ice Boost	•
LED lighting	•
Large plastic bin	•
Slide Out Pastry Tray	•
Small plastic bins	1

Performance

ActiveSmart™ technology	•
Adaptive defrost	•
Automatic defrost	•
Frost free freezer	•
Humidity control system	•
Inverter controlled compressor	•

Sabbath mode	•
--------------	---

Product dimensions

Depth	23 ³/₄ "
Height	71 ¹³/₁₆ "
Width	35 ²¹/₃₂ "

Refrigerator features

Adjustable door shelves	6
Adjustable glass cantilevered	•
Adjustable glass shelves	3
Covered door shelves	2
Deli storage bins	1
Door alarm	•
Fruit and vegetable bins	2
Humidity controlled crisper	•
LED lighting	•
SmartTouch control panel	•
Soft close doors	•
Stackable bottle holders	4
Ultra slim water dispenser	•

Warranty

Parts and labor	2 years
Sealed system parts only	5 years

SKU	25805
-----	--------------

TEST The product dimensions and specifications in this page apply to the specific product and model. Under our policy of continuous improvement, these dimensions and specifications may change at any time. You should therefore check with Fisher & Paykel's Customer Care Centre to ensure this page correctly describes the model currently available. ? Fisher & Paykel Appliances Ltd 2020

Other product downloads available at fisherpaykel.com

[↓](#) User Guide

[↓](#) Service & Warranty Booklet

[↓](#) Energy Label

[↓](#) Installation Guide

[↓](#) Resources (zip)



A PEACE OF MIND SALE

24 Hours 7 Days a Week Customer Support

T 1.888.936.7872 W www.fisherpaykel.com