



Color Variants

RY492705

With fresh cooling close to 32 °F

Fully integrated, panel ready

Optional accessories

RA450022

Installation Accessories

RA421915

Stainless steel door panel with handles

RA423340

RA425110

Long stainless steel door handle

RA425910

Short stainless steel door handle

RA428915

Stainless steel door panels, handleless

RA460000

Installation kit for side-by-side installation (for connecting any two columns)

RA460012

RA460030

Connecting element for vertically split fronts (for fridge-freezer combination with one door)

RA464913

Ventilation grill, stainless steel

RY492705

Vario fridge-freezer combination 400 series

With fresh cooling close to 32 °F

Fully integrated, panel ready

Niche width 36" (91.4 cm)

Cooling section with two doors and one fully extendable freezing drawer



Stainless steel interior with solid anthracite aluminium elements
Warm white and glare-free LED light spots

Opening assist for door with two options:

1. Push-to-open function for integration into handleless furniture front
2. Pull-to-open function to facilitate opening the door using a handle

Flat stainless steel inner doors
Almost invisible rail system for shelves and door racks for flexible positioning
Solid anthracite aluminium door racks
1 fresh cooling drawer 32 °F with temperature control from 32 °F to 37 °F and one fresh cooling drawer with manually adjustable humidity
Integrated automatic ice maker with fixed water connection

1 asymmetrically split glass shelf, height adjustable

Fully extendable freezer drawer with practical divider in anthracite
TFT touch display
Net volume 19.4 ft³ cu.ft. (550) litres
Energy Star certified

Operation

TFT touch display operation.

Clear text display in 44 languages.

Technical Features

Dynamic cold air distribution with Multi-Flow Air System.

Automatic defrosting with defrost water evaporation.

Cushioned door closing system.

Activated charcoal air filter.

Sabbath mode certified by Star-K.

When rest mode is active, the appliance can only be opened using a handle.

Open-door and malfunction warning system.

Home network integration for digital services (Home Connect) wireless via WiFi.

The use of the Home Connect functionality depends on the Home Connect services, which are not available in every country. For further information please check: home-connect.com.

Cooling compartment

No-Frost technology with fast cooling. Temperature adjustable from 35 °F to 46 °F.

1 asymmetrically split safety glass shelf, with manual adjustment.

4 brilliant LED light spots with warm white, glare-free light within cooling area and drawers.

Flat door rail system with fully flexible positioning of door racks.

6 height-adjustable door racks, 2 of which are extra deep.

Net volume 393 l liters.

Fresh cooling close to 32 °F

1 fully extendable fresh cooling drawer close to 32 °F with transparent front, illuminated.

Cushioned closing system.

Temperature can be adjusted manually. Ideal for meat, fish and poultry.

Net volume 0 litres.

Temperature controlled drawer

1 fully extendable fresh cooling drawer with transparent front, illuminated.

Product Features

UPC code

825225961192

Color / Material housing

Variant color

Not applicable

Panel ready

Not possible

Silence level (dBA)

42

Watts (W)

350

Current (A)

10

Volts (V)

110-120

Frequency (Hz)

60

Total annual energy consumption (kWh)

578.1

ENERGY STAR®

Yes

Approval certificates

CSA

Power Cord Length

118,1"

Required cutout size (HxWxD) (in)

84" x 36" x 24 3/4"

Appliance Width (in)

35 3/4"

Height (in)

83 3/4 "

Depth (in)

24"

Capacity in 0.75l (bordeaux bottles)

Total unit gross capacity (cu. ft.) - AHAM

19.4

Product packaging dimensions

(HxWxD) (in)

84.25 x 39.37 x 29.92

Refrigerator Gross capacity (cu. ft.)

13.9

Freezer Gross capacity (cu ft)

6

Net weight (lbs)

463.000

Gross weight (lbs)

506.000

SKU

RY492705

Consumption and connection features

2021-03-27

Page 1

Cushioned closing system.

Humidity can be adjusted manually.

Ideal for fruit and vegetables.

Freezer compartment

No-frost technology with fast freezing at -22 °F.

Temperature adjustable from 3 °F to -11 °F.

4-star freezer compartment.

Freezing capacity 7.7 kg/24 h.

2 fully extendable inside drawers.

Interior lighting with 2 LED light spots, warm white light.

Net volume 157 litres.

Ice dispenser

Integrated automatic ice maker in the freezer compartment, with fixed water connection.

Particle filter for water inlet, integrated in ventilation grille area.

Saturation indicator shown in TFT touch display.

Ice maker can be switched off independently.

Ice cube production approx. 2.9 lb (1.3 kg)/24 h.

Removable ice storage container with approx. 6.6 lbs. (3 kg) capacity.

Consumption data

Energy consumption 578.1 kWh/year.

Noise level 42 dB (re 1 pW).

Planning notes

Flat hinge.

Door opening angle of 115°, fixable at 90°.

Max. door panel weight:

Each door 147 lbs (67 kg).

Drawer 22 lbs. (10 kg).

Shut-off valve for water connection must be planned next to the appliance and always be accessible.

If the water pressure exceeds 116 psi, connect pressure relief valve between water tap and hose set.

Rating

Total rating 1.079 kWh/24 h.

Total Amps: 10 A.

Connecting cable 118" (3.0 m), detachable.

Cold water connection required.

Electrical location 6" above ground in lower left corner of unit.

Supply hose 51,1 INCH (1.3 m) with 1/4" male compression fitting (standard icemaker connector).

Water pressure 29 to 116 psi.

GAGGENAU

RY492705

Vario fridge-freezer combination 400 series

With fresh cooling close to 32 °F

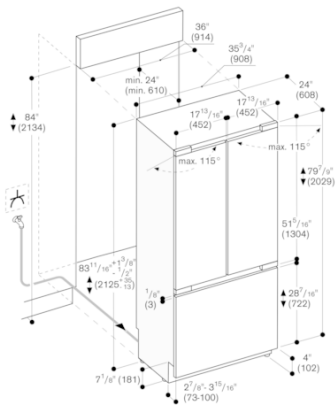
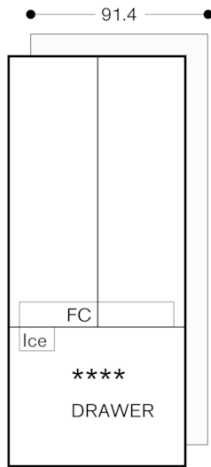
Fully integrated, panel ready

Niche width 36" (91.4 cm)

Cooling section with two doors and one fully extendable freezing drawer

2021-03-27

Page 2



The maximum door front dimensions are based on a clearance of 20mm.

GAGGENAU