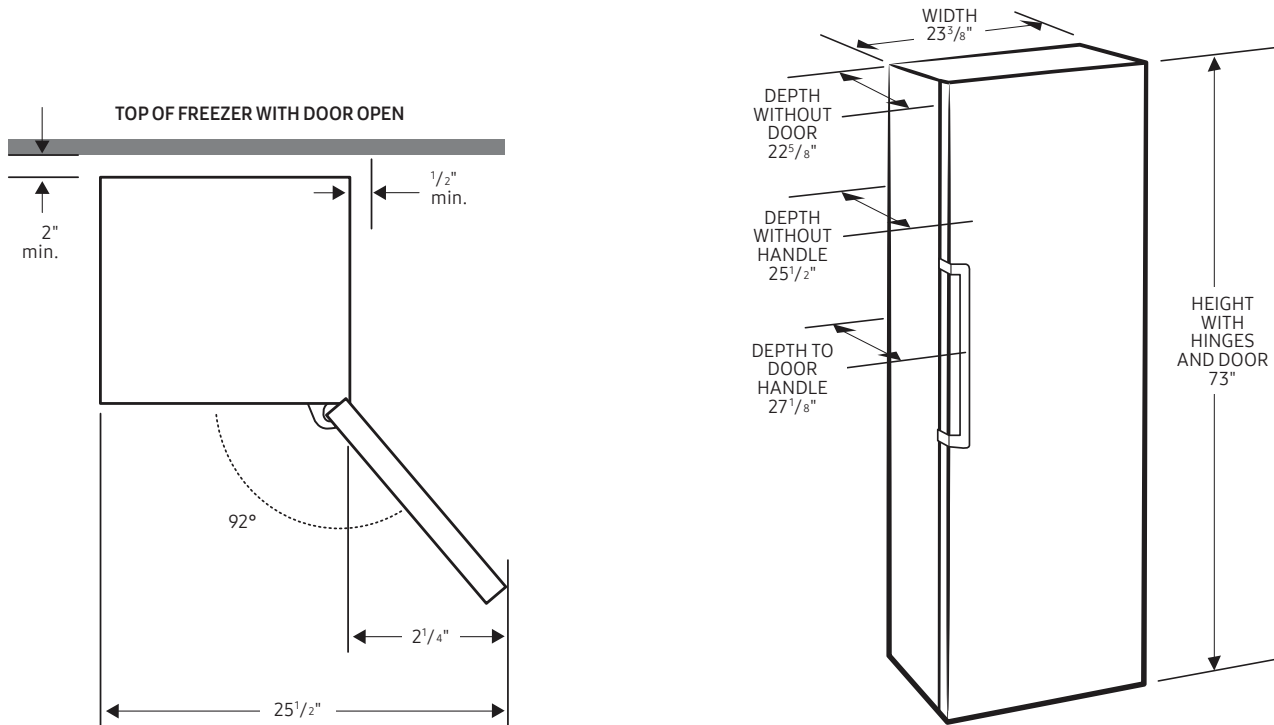


MODEL RZ11T7474

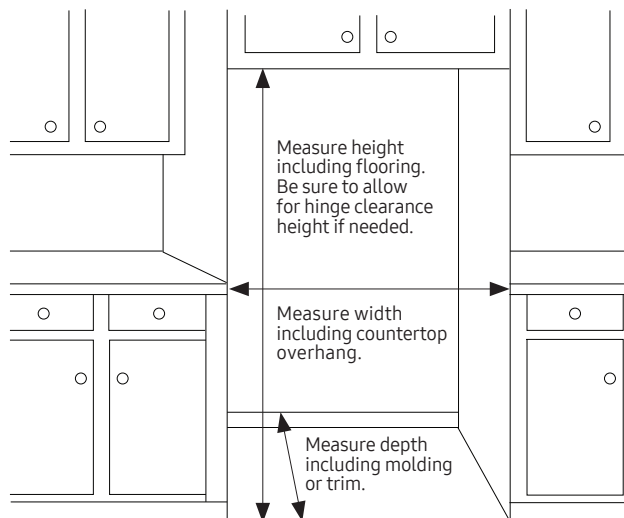
Be sure your new refrigerator will fit

Don't wait until delivery to be sure your new refrigerator will fit – throughout your kitchen, garage and all doorways. This guide includes all pertinent measurements and clearances so you can buy with confidence.



Freestanding Upright Refrigerator

Freestanding models allow flexibility in placement throughout kitchens, garages and other secondary storage spaces.



Installation clearances

- ✓ Allow 2" minimum clearance at rear for proper air circulation and water/electrical connections.
- ✓ Allow a 3/8" minimum clearance at sides and top for ease of installation.

For optimal usage and ability to open refrigerator door completely, do not install next to a wall.

Please note: The above dimension and cutout information is for planning purposes only. For complete installation details, consult manual packed with product or download manual online at samsung.com.

Walk the delivery route

- ✓ Identify the narrowest opening that the appliance will travel, from outside the home to the location where it will be installed.
- ✓ Appliance depth or width must be smaller than the width of the narrowest opening.