

## Fresh Living Tip

Designed for low profile, ADA height installation, this versatile 3-in-1 system stores a wide assortment of food, wine and beverages.

## FINISH OPTIONS



# 24" Marvel Low Profile Beverage Center with Convertible Shelf and MaxStore Bin

MABV224

### Storage Adaptability

- 4.9 cu. ft. capacity stores (95) 12-oz cans and/or (7) wine bottles
- 3-in-1 Convertible Shelf converts to a partial or full wine rack with vibration neutralization
- Tall item storage: half-width interior shelf allows for high-clearance vertical storage
- MaxStore smooth-glide clear bin organizes loose, bulky items and can store 15 lbs of produce, 4 wine bottles or 22 cans

### Cooling Performance

- Dynamic cooling technology delivers rapid cool down, frost-free operation and precise temperature stability
- Proprietary shelving design allows for cool air to circulate throughout compartment for temperature consistency from top to bottom
- Thermal-efficient cabinet insulates cooling environment and conserves energy while maximizing capacity
- Argon-filled, UV-resistant tinted dual pane glass door protects contents from damaging ultraviolet light and helps conserve energy
- Sound-buffering design

### Convenient Controls

- Multifunction controls allow you to select a precise cabinet temperature from 34° F to 60° F
- Features easy-to-use settings and options

### Fit & Finish

- Low profile, ADA-compliant height allows for universal installation applications
- Elegant midnight black interior and shelf fronts
- Arctic white LED lighting brightly illuminates interior
- Reversible door allows for right or left swing for adaptable installation
- Black toe kick adjustable to 4" with leveling legs
- Door lock for added safety and security

### Warranty

- 1-year parts and labor warranty and 5-year sealed system parts warranty



*A split convertible glass shelf converts to hybrid food, beverage or wine storage and the cantilevered shelving system is fully adjustable to accommodate for items of various heights. The MaxStore smooth-glide clear-view bin stores as many as 15 pounds of produce, 4 wine bottles or 22 12-oz cans.*

### 3-in-1 Convertible Shelf

Glass Shelving



Glass Shelving and Wine Rack



Wine Rack



Choose glass shelving, wine rack with a Vibration Neutralization System or all-in-one configuration, allowing storage for 3, 4, or 7 wine bottles.

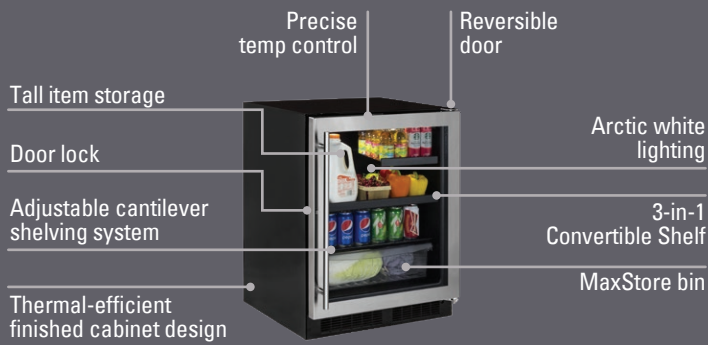
#### DOOR STYLE

Stainless Steel Frame Glass

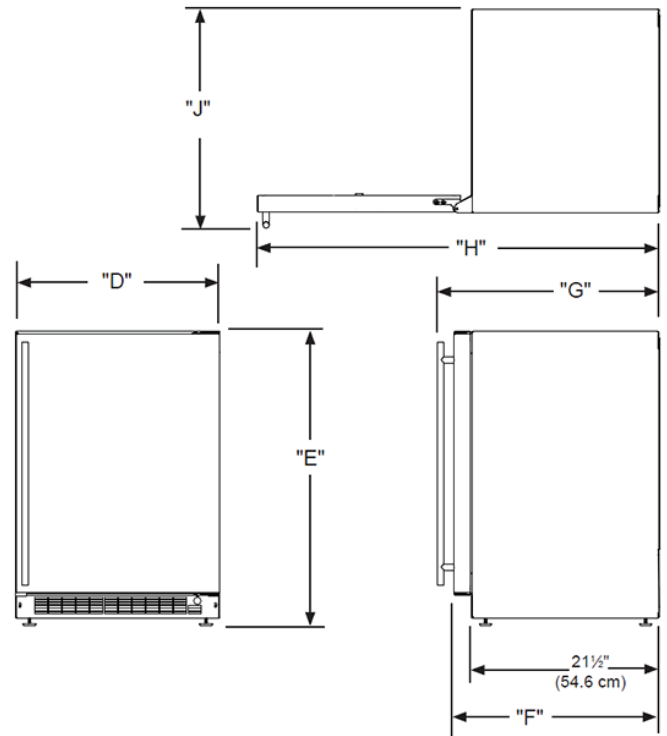
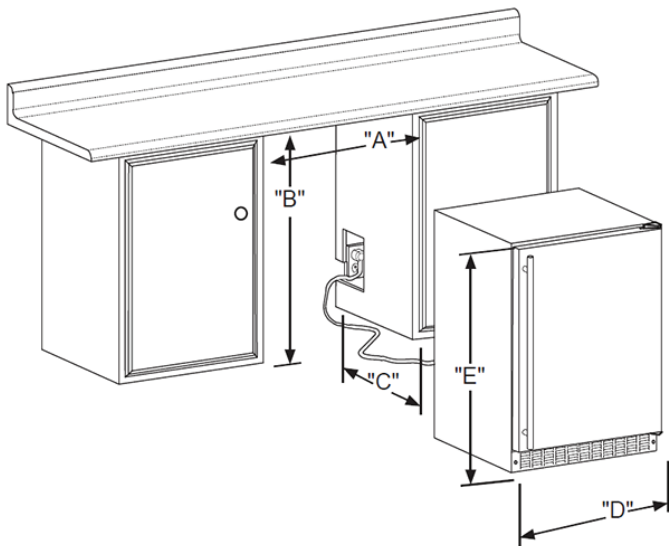
#### MODEL NUMBER

MABV224-SG31A





H: 31 1/8" W: 23 7/8" D: 25 21/32" (with handle)



**Rough In Dimensions**

"A"	"B"	"C"
24"	34-1/4" to 35-1/4"	24"
(61 CM)	(87 CM to 89.5 CM)	(61 CM)

**Cabinet Dimensions**

"D"	"E"	"F"	"G"	"H"	"J"
23-7/8"	33-5/8" TO 34-5/8"	23-5/8"	25-21/32"	47-3/4"	26-1/2"
(60.7 CM)	(85.4 CM TO 87.9 CM)	(60 CM)	(65.2 CM)	(146.6 CM)	(67.3 CM)

<b>Capacity</b>	4.9 CU. FT.
<b>Control Type</b>	Electronic
<b>Sabbath Mode</b>	Yes
<b>Temperature Range</b>	34° F to 60° F
<b>Handle Style</b>	Slim
<b>Hinge Type</b>	Reversible
<b>Interior Lighting</b>	White LED
<b>Shelving System</b>	Cantilevered
<b>Toe Grille Finish</b>	Black

<b>Lock</b>	Yes
<b>Electrical Requirements</b>	115V / 60 Hz / 15A
<b>Cord Length</b>	6 FT.
<b>Shipping Dimensions</b>	28" W x 31" D x 37" H
<b>Shipping Weight</b>	160 LBS
<b>Agency Approval</b>	UL
<b>Refrigerant Type</b>	R600a

For comprehensive installation instructions, please visit [marvelrefrigeration.com](http://marvelrefrigeration.com) to access the owner's guide.

