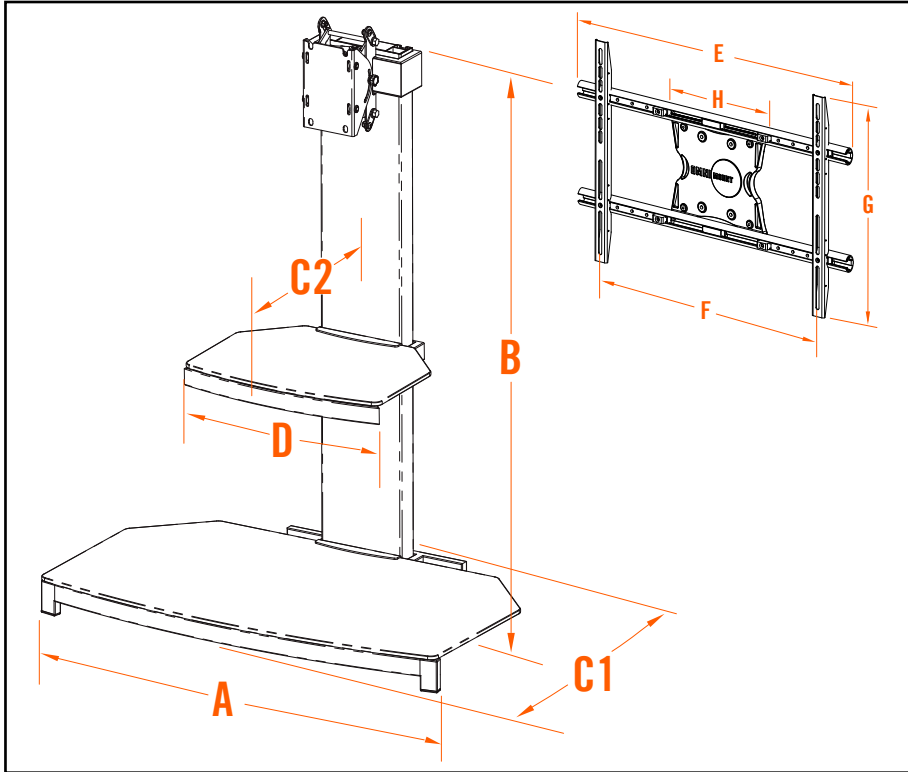




STELLAR G3FP

2-SHELF FLAT PANEL STAND



TECHNICAL SPECIFICATIONS		
G3FP SPECS		
A	37.80"	96.00 cm
B	49.50"	125.73 cm
C1	25.375"	64.45 cm
C2	16.80"	42.67 cm
D	19.675"	49.85 cm
UAL SPECS		
E	32.00"	81.30 cm
F	17.50" - 33.50"	44.50 - 85.10 cm
G	1.75" - 20.00"	4.40 - 50.80 cm
H	11.00"	27.90 cm



- Two shelf video table with flat panel adapter**
- Integrated cable management
 - Self centering Universal Adapter Plate included
 - Adjustable glass component shelf
 - Glass base shelf
 - Flat panel:
 - Adjustable display height
 - Adjustable display tilt: -5° / +15°
 - Display swivel 15°
 - 111 lbs (54 kg) shipping weight
 - Available in Black, Grey, High-gloss Black