

# Integrated Column Refrigerator, 30"

Series 9 | Integrated

Panel Ready | Right Hinge

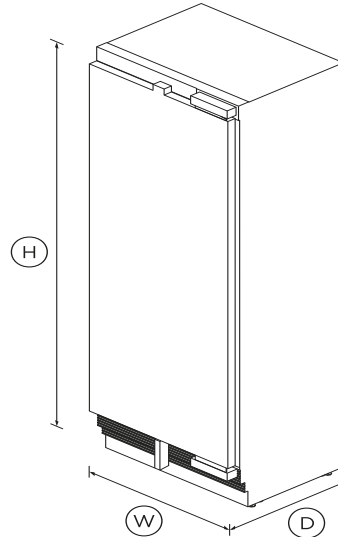


Install it separately or pair with another Column for seamless kitchen integration - this model is right hinge with white interior.

- ActiveSmart™ technology helps keep food fresher for longer by constantly maintaining the ideal temperature.
- Two separate Variable Temperature Zones: each with Fridge, Pantry or Chill
- Customize with your own kitchen cabinetry or purchase our stainless steel door panel accessory

## DIMENSIONS

Height	84 "
Width	29 <sup>3</sup> / <sub>4</sub> "
Depth	24 "



## FEATURES & BENEFITS

### Variable Temperature Zones

Food is stored in two separate zones. You have the choice of three food modes: Fridge 32°F to 44°F, Pantry 52°F to 56°F and Chill 29°F to 32°F.

### Mix & match

Integrated Column Refrigeration gives you the freedom to mix and match. Different sized Column Fridges and Freezers can be installed separately or paired. Finish them with our stainless steel door panels or Customize to match your own kitchen cabinetry.

### Clever energy

Our Energy Star-certified ActiveSmart™ Refrigerators & Freezers adapt to daily use by cooling and defrosting only when needed. This means your refrigerator uses the energy it needs without compromising on food care.

### Appealing illumination

Bright LEDs light up the ceiling, shelves, bins and tray in both refrigerator and freezer, making it easy to find your food and creating a welcoming glow in your kitchen for those midnight snacks.

### Design quality

The premium design and quality finish includes a white or stainless steel interior lining, as well as full-extension metal shelf runners for easy access and robust glass shelving.

### Easy install

Integrated Column Refrigerators and Freezers have been developed to make their installation easy. The joiner kit is included when pairing refrigerator and freezers. All models come with front adjustable levelling feet and they've been designed to easily slide into place as separate units.

### Perfect fit

These models fit flush and have only 1/8" / 3mm gaps around them with no visible hinges or grilles. Our Integrated Column models can be seamlessly hidden behind your cabinetry or you can purchase our stainless steel door panel.

## SPECIFICATIONS

### Accessories (sold separately)

30" Stainless steel toe kick	25392
48" Stainless steel toe kick	25396
54" Stainless steel toe kick	25398
60" Stainless steel toe kick	25400
Contemporary round handle	24981

Contemporary square handle	<b>24979</b>
Joiner kit	<b>24985</b>
Professional round handle kit	<b>24980</b>
Professional square handle kit	<b>24982</b>
Stainless steel door panel	<b>24972</b>

**Capacity**

Refrigerator	<b>16.3 cu ft</b>
--------------	-------------------

**Consumption**

Energy star rating	<b>Yes</b>
Energy usage	<b>247kWh/year</b>

**Performance**

ActiveSmart™ Foodcare	•
ActiveSmart™ technology	•
Adaptive defrost	•
Dual evaporator	•
Frost free	•
Frost free freezer	•
Humidity control system	•
Inverter controlled compressor	•
Sabbath mode	•
Variable food modes	<b>Pantry; Fridge; Chill</b>

**Power Requirements**

Rated current	<b>10A</b>
Supply frequency	<b>60Hz</b>
Supply voltage	<b>115V</b>

**Product dimensions**

Depth	<b>24 "</b>
Depth (less door)	<b>24 "</b>
Height	<b>84 "</b>
Width	<b>29 <sup>3</sup>/<sub>4</sub> "</b>

**Refrigerator features**

Adjustable door shelves	<b>4</b>
Adjustable glass cantilevered	•
Covered door shelves	<b>1</b>
Door alarm	•
Gallon door shelves	<b>1</b>
LED bin lighting	•
LED ceiling lighting	•
LED side lighting	•
SmartTouch interface at	•
Soft-close fruit and vegetable	<b>4</b>
Stackable bottle holders	<b>4 x clip in 4 x flexible</b>

**Warranty**

Parts and labor	<b>2 years</b>
Sealed system parts only	<b>5 years</b>

SKU	26129
-----	-------

TEST The product dimensions and specifications in this page apply to the specific product and model. Under our policy of continuous improvement, these dimensions and specifications may change at any time. You should therefore check with Fisher & Paykel's Customer Care Centre to ensure this page correctly describes the model

currently available. ? Fisher & Paykel Appliances Ltd 2020

---

Other product downloads available at [fisherpaykel.com](http://fisherpaykel.com)



User Guide



Service & Warranty Booklet



Energy Label



Installation Guide



Resources (zip)



**A PEACE OF MIND SALE**

24 Hours 7 Days a Week Customer Support

T 1.888.936.7872 W [www.fisherpaykel.com](http://www.fisherpaykel.com)