



RF411705
 Vario freezer 400 series
 Fully integrated, panel ready
 Niche width 18" (45.7 cm)
 Stainless steel interior with solid anthracite aluminium elements
 Warm white and glare-free LED light spots
 Opening assist for door with two options:

1. Push-to-open function for integration into handleless furniture front
2. Pull-to-open function to facilitate opening the door using a handle

The drawers in the RC and RF models are positioned at the same height. With side-by-side installation, the glass shelves and door racks can be aligned on the same level
 Material and aesthetics of interior as for RC model
 - Glass shelves
 - Solid anthracite aluminium door racks
 Flat stainless steel inner door, full-length
 Almost invisible rail system for shelves and door racks for flexible positioning
 Integrated automatic ice maker with fixed water connection
 TFT touch display
 Net volume 8.6 ft3 cu.ft. (242) litres
 Energy Star certified

Operation
 TFT touch display operation.
 Clear text display in 44 languages.

Technical Features
 Dynamic cold air distribution with Multi-Flow Air System.
 Automatic defrosting with defrost water evaporation.
 Cushioned door closing system.
 Sabbath mode certified by Star-K.
 When rest mode is active, the appliance can only be opened using a handle.
 Open-door and malfunction warning system.
 Home network integration for digital services (Home Connect) wireless via WiFi.
 The use of the Home Connect functionality depends on the Home Connect services, which are not available in every country. For further information please check: home-connect.com.

Freezer compartment
 No-frost technology with fast freezing at -22 °F.
 Temperature adjustable from 3 °F to -11 °F.
 4-star freezer compartment.
 Freezing capacity 6.3 kg/24 h.
 4 safety glass shelves, white glass, 3 of which are individually height adjustable.
 2 fully extendable drawers with transparent front.
 Brilliant LED light spots with warm white, glare-free light.
 Flat door rail system with fully flexible positioning of door racks.
 4 height-adjustable door racks.

Ice dispenser
 Integrated automatic ice maker in the freezer compartment, with fixed water connection.

Product Features
UPC code 825225960911
Variant color Not applicable
Panel ready
Installation Type N/A
Silence level (dBA) 42
Watts (W) 350
Current (A) 10
Volts (V) 110-120
Frequency (Hz) 60
Total annual energy consumption (kWh) 404.0
ENERGY STAR® Yes
Approval certificates CSA
Power Cord Length 118,1"
Plug type 120V-3 prong
Appliance dimensions (h x w x d) inch 83 3/4 " x 17 3/4" x 24"
Required cutout size (HxWxD) (in) 84" x 18" x 24 3/4"
Appliance Width (in) 17 3/4"
Height (in) 83 3/4 "
Depth (in) 24"
Product packaging dimensions (HxWxD) (in) 88.97 x 21.45 x 29.33
Total unit gross capacity (cu. ft.) - AHAM 8.6
Net weight (lbs) 277.000
Gross weight (lbs) 307.000

Consumption and connection features
 2021-03-22
 Page 1

Particle filter for water inlet, integrated in ventilation grille area.
 Saturation indicator shown in TFT touch display.
 Ice maker can be switched off independently.
 Ice cube production approx. 2.9 lb (1.4 kg)/24 h.
 Removable ice storage container with approx. 6.6 lbs. (2.5 kg) capacity.

Consumption data
 Energy consumption 404 kWh/year.
 Noise level 42 dB (re 1 pW).

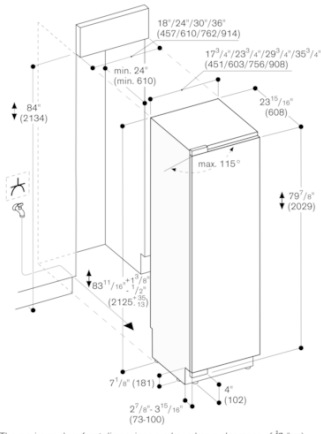
Planning notes
 Flat hinge.
 Door hinge left, reversible.
 Door opening angle of 115°, fixable at 90°.
 For installation with a door opening angle of 90° the ice storage container must be exchanged for the small ice storage container (RA 448220). This must be done prior to fixing the door.
 Max. door panel weight 55 lbs (25 kg).
 Shut-off valve for water connection must be planned next to the appliance and always be accessible.
 If the water pressure exceeds 116 psi, connect pressure relief valve between water tap and hose set.

Rating
 Total rating 1.079 kWh/24 h.
 Total Amps: 10 A.
 Connecting cable 118" (3.0 m), detachable.
 Cold water connection required.
 Electrical location 6" above ground in lower left corner of unit.
 Supply hose 51,1 INCH (1.3 m) with 1/4" male compression fitting (standard icemaker connector).
 Water pressure 29 to 116 psi.

Color Variants
 RF411705

Optional accessories
 RA448220
 Ice storage container, small.
 RA450022

Installation Accessories
 RA421115
 Stainless steel door panel with handle
 RA423140
 RA425110
 Long stainless steel door handle
 RA428115
 Stainless steel door panel, handleless
 RA460012
 RA460020
 Connecting element for vertically split appliance fronts (for a flush front)
 RA464113
 Ventilation grill, stainless steel



The maximum door front dimensions are based on a clearance of 20mm.

