

UC-24CI



FEATURES

Accepts custom panels for an integrated look within cabinetry or stainless-steel accessory panels and handles to match other Sub-Zero, Wolf, and Cove products

Controls temperature within one degree of setpoint

Locks in cold air to ensure freshness with magnetic door seals

Store eight 750-ml wine bottles on each smooth roller-glide shelf

Keeps dairy, produce, and other perishables at their optimal temperature

Control brightness with soft-on LED lighting

Gain storage flexibility with an adjustable shelf

Locate items quickly with utility bins

ACCESSORIES

Dual Installation Kit

Stainless Steel Door Panel with Pro Handle

Stainless Steel Door Panel with Tubular Handle

Undercounter Black Dual Kickplate

Undercounter Door Lock Kit

Undercounter Dual Lock Kit

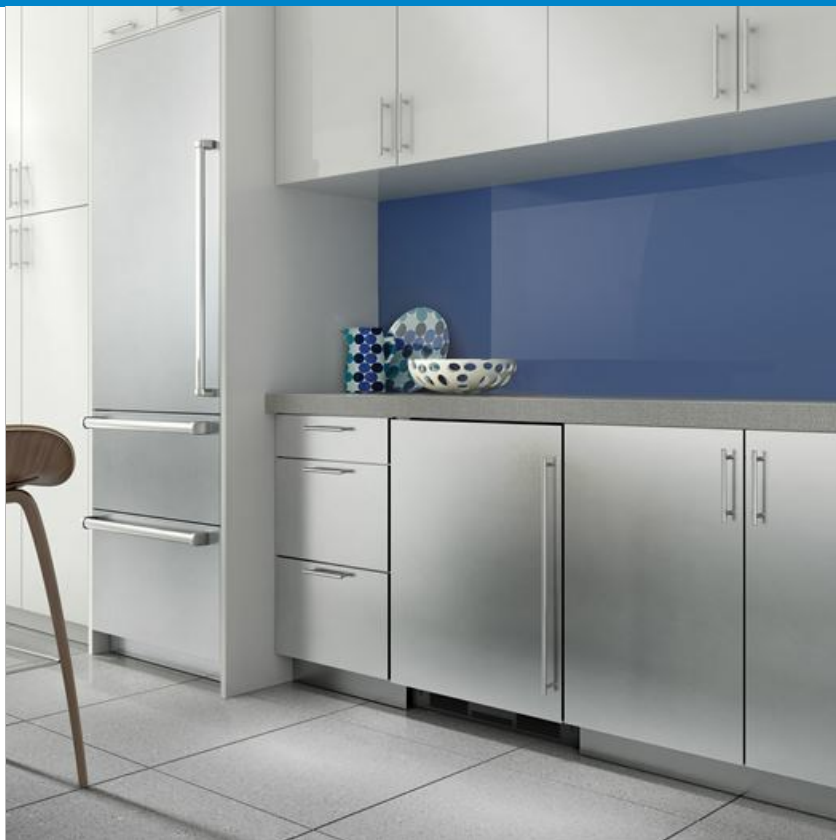
Undercounter Silver Dual Kickplate

Undercounter Silver Kickplate

Stainless Steel Pro Handles

Stainless Steel Tubular Handles

Accessories are available through an authorized dealer.
For local dealer information, visit subzero-wolf.com/locator.



HANDLE ACCESSORIES

PRO



TUBULAR



PRODUCT DETAILS

REFRIGERATOR

- 1 adjustable wine storage rack
- 1 adjustable glass shelf
- 1 door storage bin

FREEZER

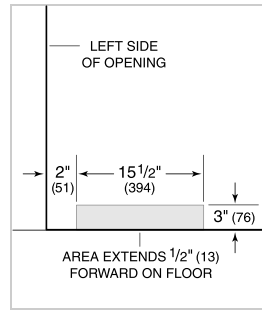
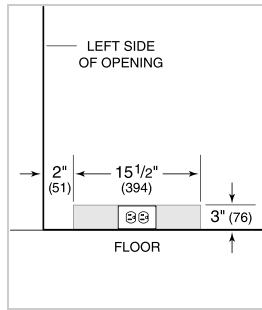
- Removable ice container

PRODUCT SPECIFICATIONS

Model	UC-24CI
Dimensions	23 7/8"W x 34"H x 24"D
Door Clearance	23 3/8"
Refrigerator Capacity	3.6 cu. ft.
Freezer Capacity	1.1 cu. ft.
Electrical Supply	115 VAC, 60 Hz
Electrical Service	15 amp dedicated circuit
Plumbing Supply	1/4" OD copper, braided stainless steel or PEX tubing
Plumbing Pressure	20–100 psi
Wine Storage Capacity	8 Bottles

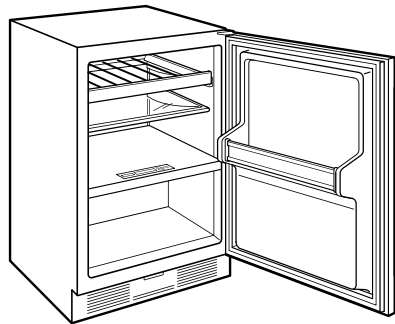
ELECTRICAL

PLUMBING



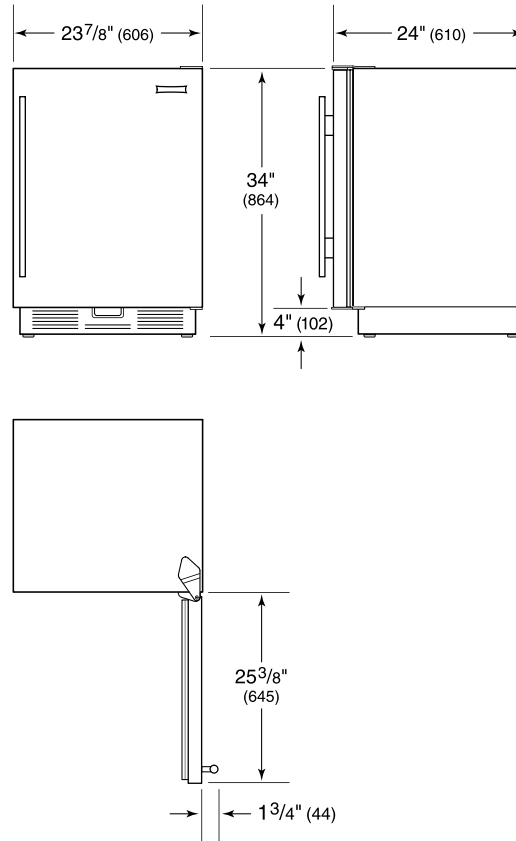
NOTE: Dimensions in parenthesis are in millimeters unless otherwise specified

INTERIOR VIEW

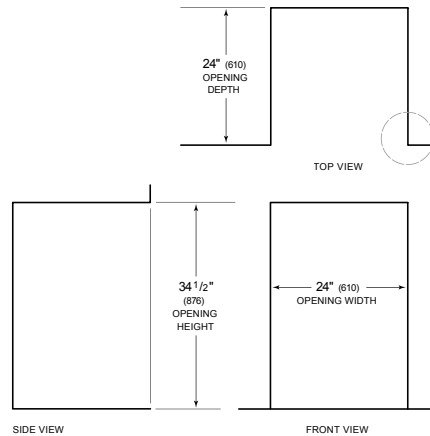


This illustration is intended for interior reference only and may not represent the exterior of the model being specified.

DIMENSIONS



STANDARD INSTALLATION



NOTE: 3 1/2" (89) finished returns will be visible and should be finished to match cabin

