



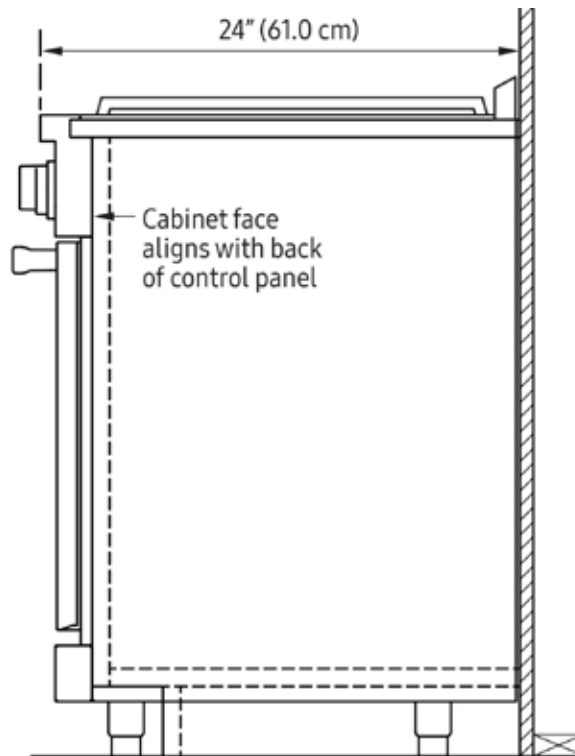
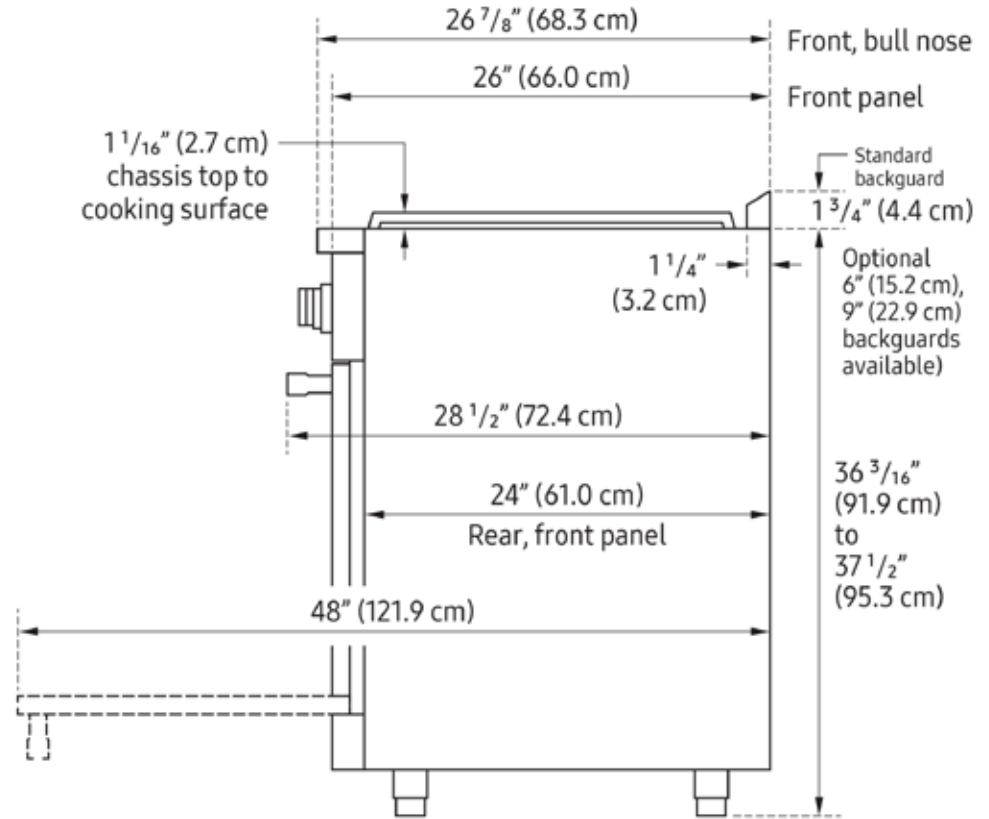
## Professional 30" Wide Gas Range

## PLANNING GUIDE

**WARNING**

- Observe all governing codes and ordinances during planning and installation. Contact your local building department for details.
- The range must be installed as specified in its installation instructions.

**WIDTH:** 29 7/8" (75.9 cm)





## Professional 30" Wide Gas Range

## PLANNING GUIDE

### WARNING

- Observe all governing codes and ordinances during planning/ installation. Contact your local building department for details.
- To prevent electric shock, the power supply must meet the specifications given. The owner shall ensure the electrical service meets requirements and that the outlet is installed/inspected by a licensed electrician.

The range must be electrically grounded according to local codes or, in their absence, with the National Electrical Code, ANSI/ NFPA 70.

### Electrical Requirements

- The range is supplied with a factory installed, 6-ft. long power cord with a 3-prong grounding plug. It is connected to the chassis at the rear of the range. It must be connected to a dedicated, grounded 3-prong electrical outlet.
- The correct voltage, frequency and amperage must be supplied to the appliance from a separate, grounded, circuit that is protected by a properly sized circuit breaker or time delay fuse.

Circuit Required	Total Connected Load*
120 Vac, 60 Hz, 15 Amp.	120 Vac 60 Hz, 5.0 Amp.

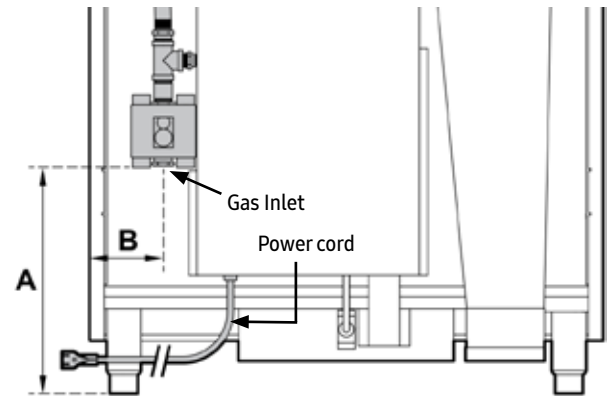
### Gas-Supply Requirements

- Installation must conform to local codes or, in their absence, to the National Fuel Gas Code, ANSI Z223.1/NFPA 54.
- The range must match the home gas service (natural or LP gas).
- If using the range above 4000 ft. (1219 m) altitude, ensure it is equipped for high-altitude use. See the rating label (left) to verify the correct model.
- This table has gas-supply pressure requirements:

GAS-SUPPLY PRESSURE REQUIREMENTS*		
Gas Type	Minimum Manifold Pressure	Minimum Gas-Supply Pressure**
Natural Gas	5" Water Column	6" Water Column
Liquid Propane (LP)	10" Water Column	11" Water Column

\*The gas-supply pressure for testing the regulator setting shall be at least 1" water column (249 Pa) above the specified manifold pressure'; \*\*max. gas supply pressure for all models: 1/2 psi; the ratings above are for reference only. See the rating label for exact specifications.

- Use only the factory-installed regulator. Its inlet receives a 3/4" gas line. The range ships with a 1/2"-to-3/4" adapter connected to the regulator.



GAS-/ELECTRICAL-ACCESS DIMENSIONS	
A	B
13 1/16" to 14 3/8" (33.2 to 36.5 cm)	4 5/16" (11.0 cm)

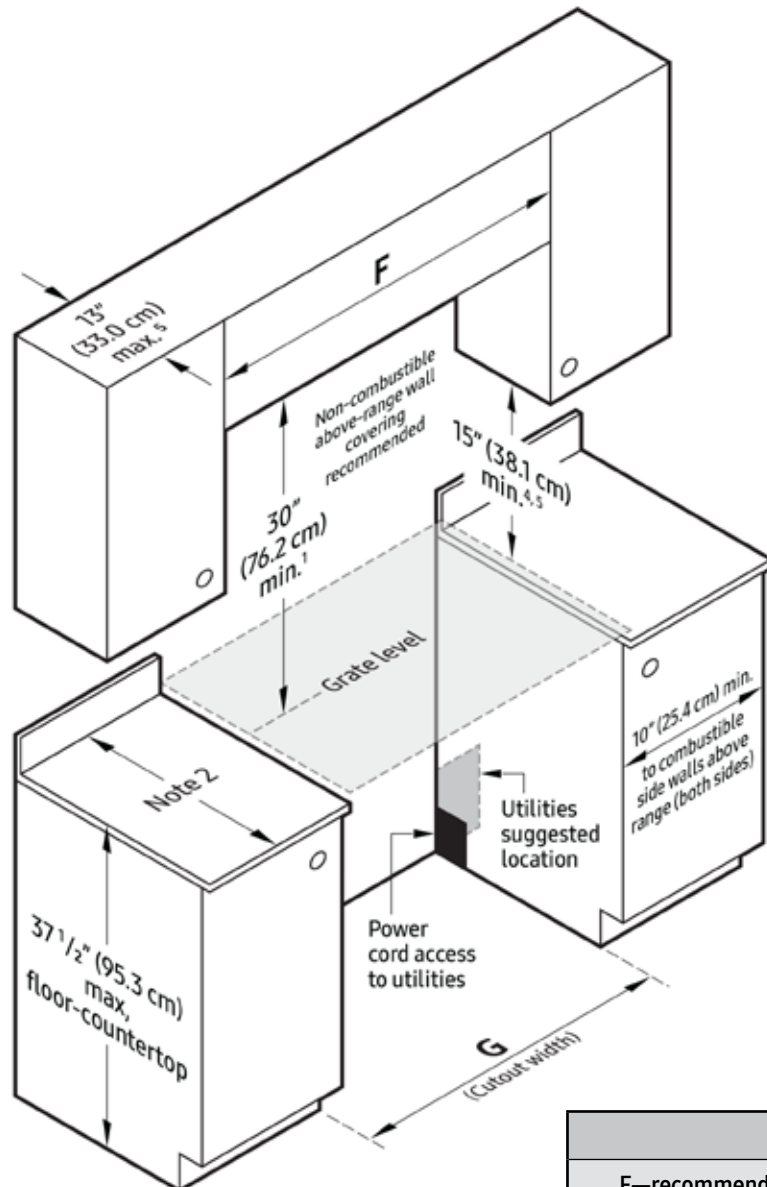


## Professional 30" Wide Gas Range

## PLANNING GUIDE

### Cabinet Layout

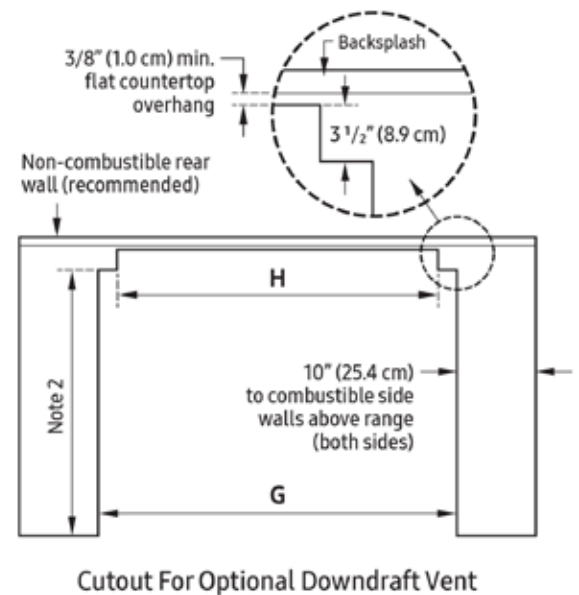
- For safe operation, maintain all specified maximum and minimum dimensions and clearances.
- Install the range away from drafts (open doors/windows, home ventilation).
- Do not install cabinets directly above the range, or reduce risk of fire and injury (from reaching over an active cooktop) by installing a range hood that projects horizontally at least 5" beyond the cabinet bottoms.
- You may place the range against the rear wall. Dacor recommends installing non-combustible material on the wall between the range and vent hood. Non-combustible material directly behind the range is not needed, but seal any openings in the wall behind the range and in the floor beneath it.



### Gas and Electrical Service

- The small grey box in the cabinet graphic below is the recommended location of the gas inlet and electrical outlet. If replacing the range, existing utilities may be used if they do not interfere with the new range's placement. Check building codes for permissible gas-valve locations.
- An external, manual shut-off valve must be installed between the gas inlet and range so gas to the range can be turned on/off.
- Location of the gas-supply piping and shut-off valve, and the electrical outlet must not interfere with placement of the range.
- The gas valve and electrical outlet must be accessible without moving the range.
- Install the gas shut-off valve so the range can be pulled out for service/cleaning without disconnecting the conduit.

Callout	Description
1	Vertical from top of grate to combustible overhead surface. NOTE: If installing a vent hood, check hood specifications for minimum required clearances.
2	Cabinet face must NOT extend beyond rear of front panel (see Product Dimensions, Pg. 1).
3	Consult local code for exact location requirements.
4	Vertical from top of grate to combustible surface.
5	Measurement does not apply to cabinets more than a horizontal distance of 10" (25.4 cm) from edge of range.



CUTOUT DIMENSIONS		
F—recommended / min	G—min / max	H
36" (91.4 cm) / 30" (76.2 cm)	30" (76.2 cm) / 30 1/8" (76.5 cm)	27 1/2" (69.9 cm)