



FRIGIDAIRE

Factory Parts Catalog

| | |
|---------------------|---------------|
| Product No. | FFFC25M4TW0 |
| Series | 25 cuft |
| Color | white |
| Volts | 115 |
| Owner's Guide | A10092401 |
| Market | North America |
| Mini Service Manual | 242103408 |

Frigidaire

P.O. BOX 8020
CHARLOTTE, NC 28262

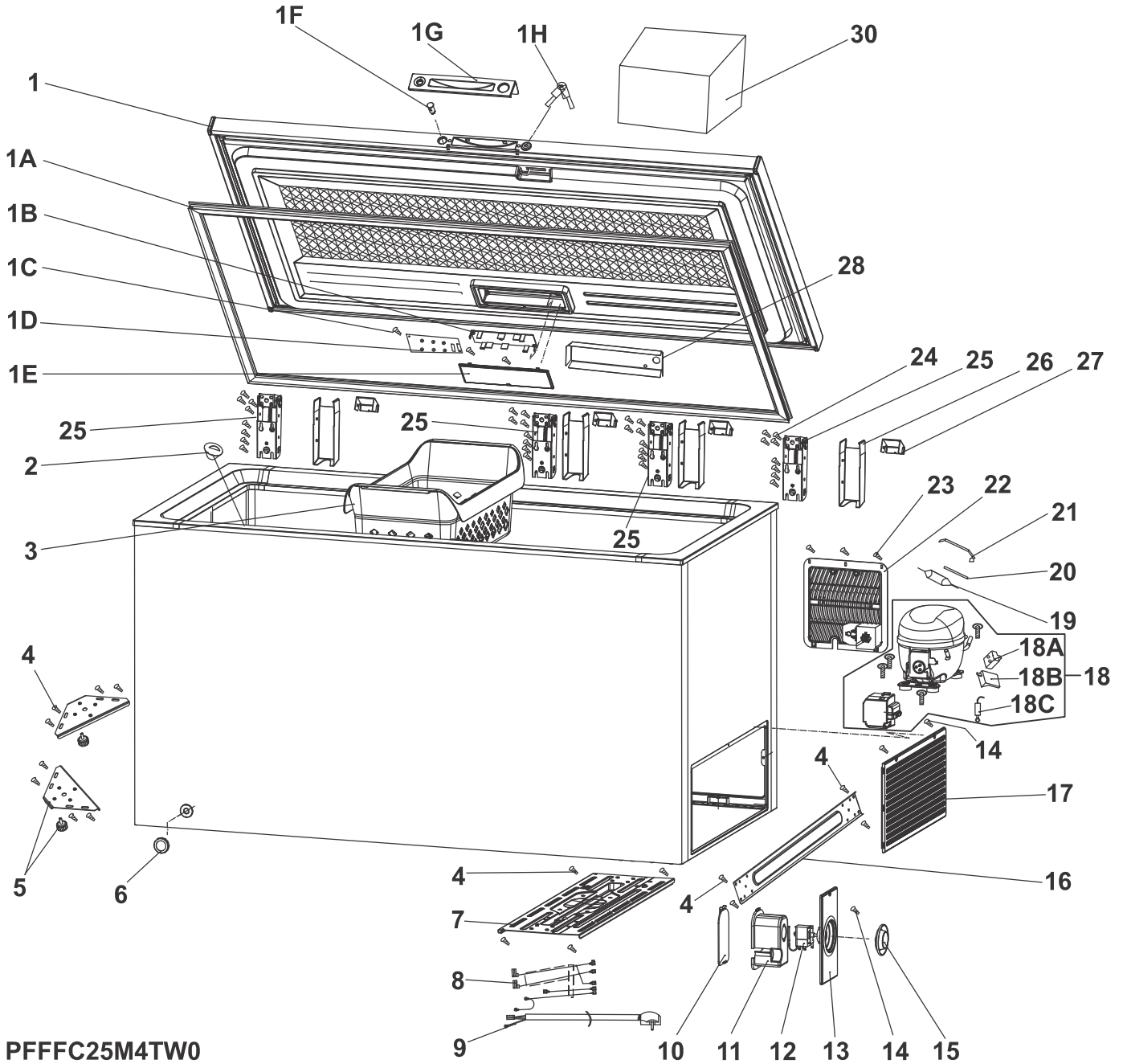
**This Publication Replaces
Publication # 5995691325**

Publication No.
5995708582
18/10/09
(EN/SERVICE/ECL)
365

FREEZER CHEST

Model No.
FFFC25M4T

RECOMMENDED SPARE PARTS



PFFFC25M4TW0

RECOMMENDED SPARE PARTS

| POS. NO | PART NO. | DESCRIPTION |
|---------|------------|--|
| 1 | 5304512849 | Door Assembly, freezer, w/liner |
| 1A | 5304512850 | Gasket, door |
| 1B | 5304512552 | Housing, LED board |
| 1C | 5304479804 | Screw, tapping, stainless steel |
| 1D # | 5304512554 | Board, LED light |
| 1E | 5304512555 | Lens, LED light |
| 1F # | 5304512556 | Light, indicator |
| 1G | 5304512557 | Handle, recessed pocket |
| 1H | 5304512917 | Key, lock |
| 2 | 5304512558 | Cap, drain tube |
| 3 | 5304512718 | Basket |
| 4 | 5304492672 | Screw, tapping, (12) |
| 5 | 5304512560 | Foot Assembly, cabinet, adjustable |
| 6 | 5304512561 | Cap, exterior drain |
| 7 | 5304512851 | Base, compressor mtg. |
| 8 # | 5304512563 | Harness, wiring, main |
| 9 # | 5304512564 | Power Cord |
| 10 | 5304512565 | Cover, control box, rear |
| 11 | 5304512566 | Control Box, temperature |
| 12 # | 5304512843 | Thermostat, temp. control |
| 13 | 5304512568 | Control Panel, outer |
| 14 | 5304512569 | Screw, tapping, (3) |
| 15 | 5304512570 | Knob, temp. control |
| 16 | 5304512852 | Bracket, bottom |
| 17 | 5304512572 | Panel, access, side |
| 18 # | 5304519890 | Compressor Assy., fixed speed, reciprocating |
| 18A# | 5304508629 | Starter, relay |
| 18B# | 5304519894 | Overload, protector |
| 18C# | 5304470340 | Capacitor |
| 19 # | 5304512846 | Filter, drier |
| 20 | 5304512575 | Tube, processing |
| 21 # | 5304512847 | Tube, connecting |
| 22 | 5304512577 | Grill, venting, rear |
| 23 | 5304512578 | Screw, tapping, (7) |
| 24 | 5304512579 | Screw, tapping, (24) |
| 25 | 5304512836 | Hinge Assembly, 4.5mm spring |
| 26 | 5304512838 | Cover, hinge, lower |
| 27 | 5304512839 | Cover, hinge, upper |
| 28 | 5304512580 | Plate, fixed |
| 30 | 5304512848 | Caster Kit, 6 casters, w/screw kit |
| 30* | 5304513289 | Screw Kit, casters, C20/25 |

WIRING DIAGRAM

