

Talis N
HighArc Kitchen Faucet, A-Style 2-Spray Pull-Down, 1.75 GPM
 Finishes : **stainless steel finish** Part no. : **72846801**



Description

Features

- Swivel range adjustable in 4 steps 60°, 110°, 150° or 360°
- Aerated spray, needle spray
- Toggle spray diverter
- MagFit magnetic sprayhead docking
- deck mounted
- Flow: 1.75 GPM (6.6 L/Min)
- Ceramic cartridge
- 3/8" connections
- Integrated double backflow prevention
- 1 3/8" Mounting hole required
- Single lever kitchen mixer, connection hoses, Fastening set, Assembly instructions

Item details

List Price \$ 635.00

Technology



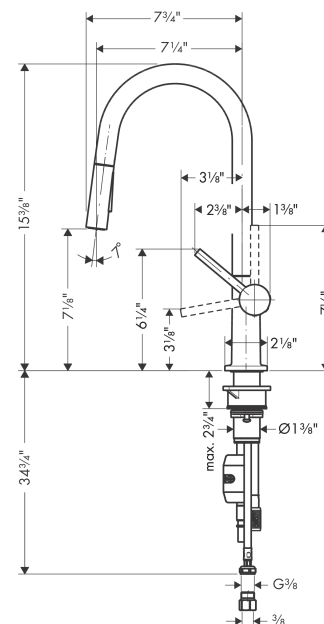
Compliance



Product image



Scale drawing

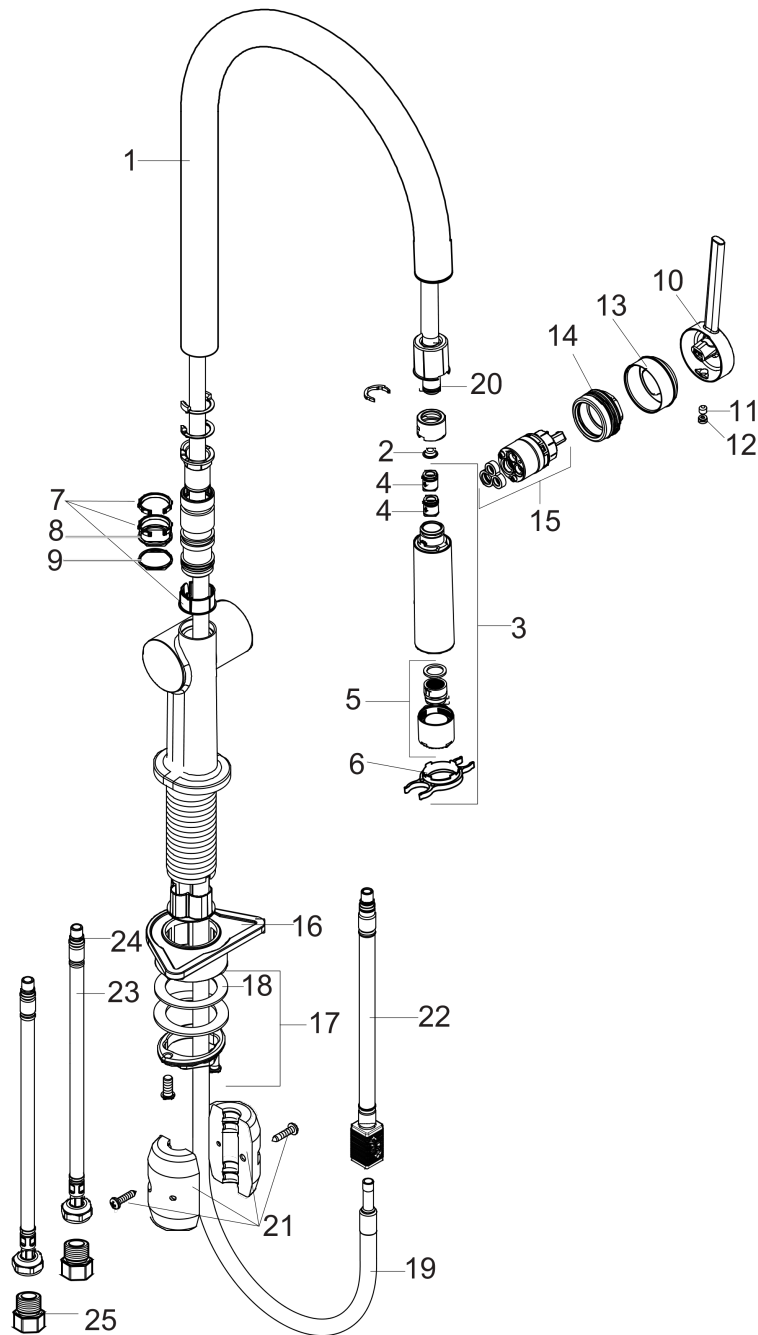


Talis N
HighArc Kitchen Faucet, A-Style 2-Spray Pull-Down, 1.75 GPM
 Finishes : **stainless steel finish** Part no. : **72846801**



Exploded drawing

Year of production: >06/20



Talis N
HighArc Kitchen Faucet, A-Style 2-Spray Pull-Down, 1.75 GPM
 Finishes : **stainless steel finish** Part no. : **72846801**



Spare parts list

Year of production: >06/20

Pos.	Description	Part no.	Price	PU
1	spout cpl.	93826800	-	1
2	filter	98516000	-	1
3	handspray	93741801	-	1
4	non return valve DW 10	96456000	-	1
5	spray former	93342001	-	1
6	service tool	95910000	-	1
7	set of lever collars	98365000	-	1
8	O-ring 19x2	98426000	-	1
9	O-ring 20x1,5	98197000	-	1
10	handle	93736800	-	1
11	hollow set screw M5x5	98446000	-	1
12	screw cover	93735610	-	1
13	flange	93737000	-	1
14	nut	93738000	-	1
15	cartridge, assy	93740000	-	1
16	support	97523000	-	1
17	fixing set (Ø 34)	95049000	-	1
18	lever collar	97548000	-	1
19	hose	93745000	-	1
20	O-ring 8x2	98112000	-	1
21	weight	92500000	-	1
22	hose	93744000	-	1
23	connection hose 900 mm M8x0,75 G3/8	93746000	-	1
24	O-ring 6,6x1,6	93019000	-	1
25	adapter for connection hose	88802000	-	1