



Undercounter Refrigeration

Design Guide

REVISED 1/2021



Undercounter Refrigeration

Sub-Zero Undercounter refrigeration is a helpful addition to a master suite, bar, home office, or media room. The design flexibility of these compact yet roomy units makes them all the more welcome in any room or outdoor kitchen. Undercounter wine models feature cherrywood-faced racks and soft lighting. Model UW-24FS has a finished stainless steel exterior for a freestanding application. The outdoor model comes with a stainless steel door panel and pro handle—all other models are ready to be fitted with a custom panel and handle or can be ordered with a stainless steel panel and handle.

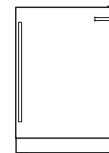
UNDERCOUNTER MODELS



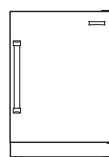
UC-24R



UC-24BG



UC-24C(I)



UC-24RO

UNDERCOUNTER WINE MODELS



UW-24



UW-24FS

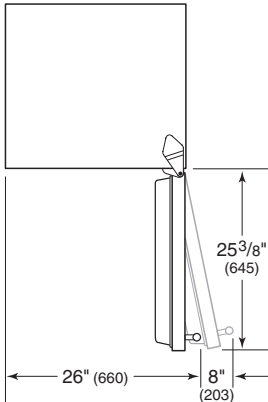
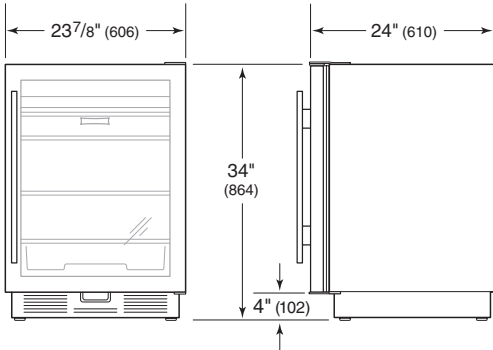


Features and specifications are subject to change at any time without notice. Visit subzero.com/specs for the most up-to-date information.

Throughout this guide, dimensions may vary by $\pm 1/8$ " (3). Dimensions in parentheses are millimeters unless otherwise specified.

Overall Dimensions

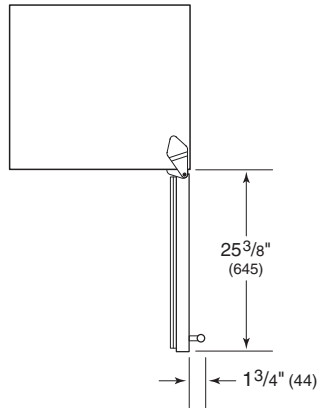
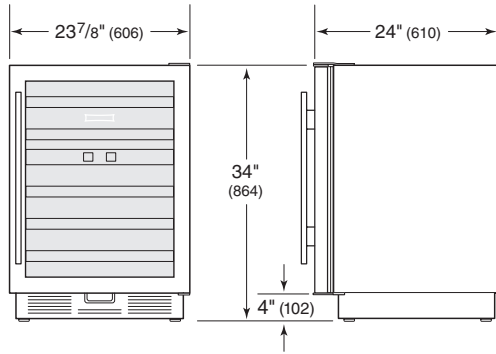
UNDERCOUNTER MODELS



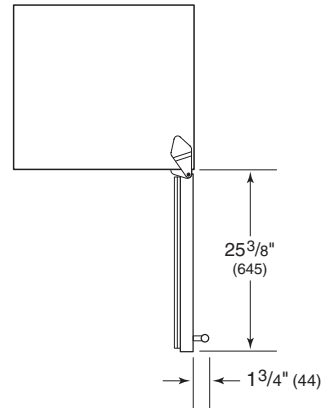
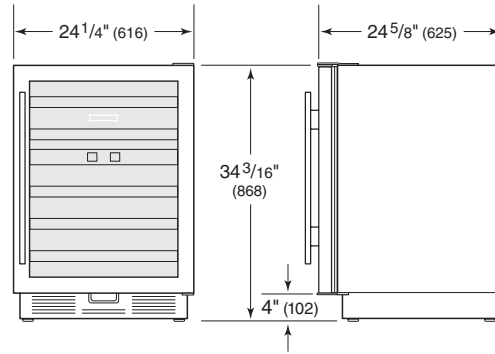
IMPORTANT NOTE: Overall dimensions are based on the stainless steel models. Refer to page 9 for door clearance information.

Overall Dimensions

WINE MODEL UW-24



WINE MODEL UW-24FS

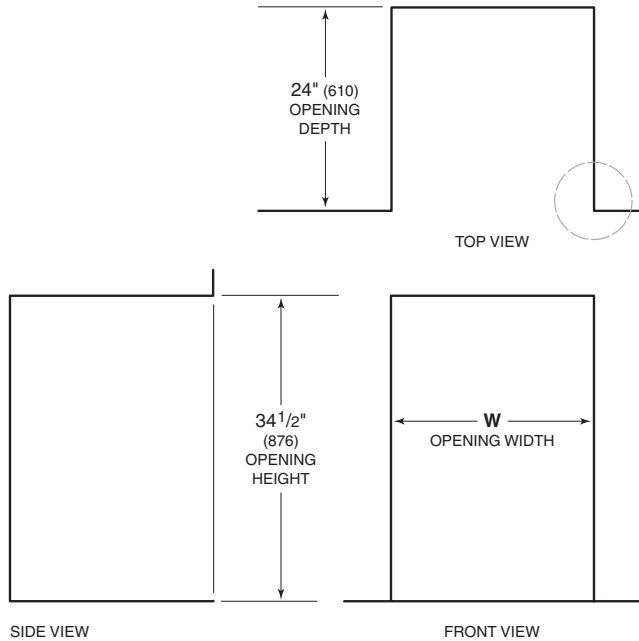


IMPORTANT NOTE: Overall dimensions are based on the stainless steel models. Refer to page 9 for door clearance information.

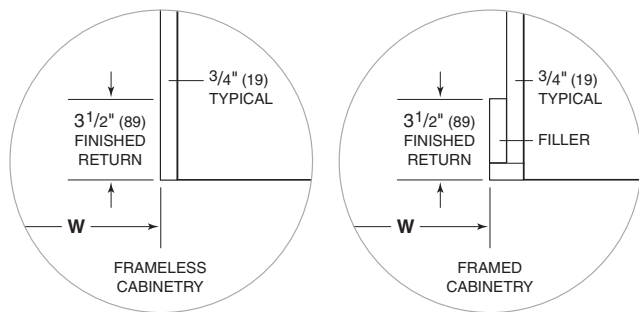
Freestanding model UW-24FS has a finished stainless steel exterior and handle.

Opening Dimensions

UNDERCOUNTER MODELS



NOTE: 3 1/2" (89) finished returns will be visible and should be finished to match cabinetry.



OPENING WIDTH W

24" Model 24" (610)

DUAL OPENING WIDTH W

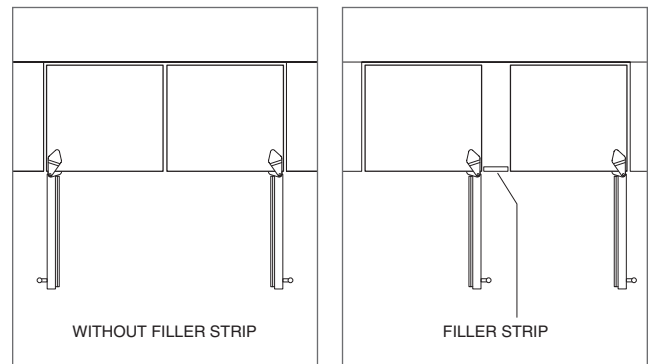
Two 24" Models 48 1/8" (1222)

Dual installation kit required.

DUAL INSTALLATION

If two units are installed side by side, a dual installation kit may be required. Installations without a custom filler strip require a dual installation kit. If a dual installation kit is not specified, a 2" (51) filler strip is recommended between the units. Dual installations without a filler strip can only be accomplished using two units with opposite hinges. Refer to the illustrations below.

Dual installation kits are available through an authorized Sub-Zero dealer. For local dealer information, visit the find a showroom section of our website, subzero.com. For questions regarding the installation, call Sub-Zero Customer Care at 800-222-7820.



Opposite hinges

Same side hinges

Electrical Requirements

Installation must comply with all applicable electrical codes.

Locate the electrical supply within the shaded area shown in the illustration below. A separate circuit servicing only this appliance is required.

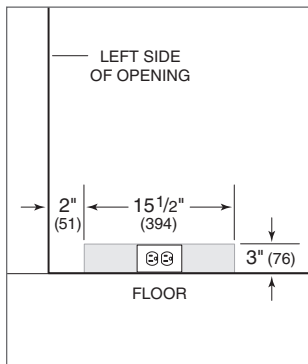
If the unit will be connected to a home security system, allow 36" (914) of excess wiring for proper connection.

IMPORTANT NOTE: The electrical outlet must be positioned with the grounding prong to the right of the thinner blades.

IMPORTANT NOTE: For outdoor model UC-24RO, a ground fault circuit interrupter (GFCI) is required to reduce the risk of electrical shock. A GFCI is not recommended for use with other Undercounter models and may cause interruption of operation.

ELECTRICAL REQUIREMENTS

Electrical Supply	115 VAC, 60 Hz
Service	15 amp dedicated circuit
Receptacle	3-prong grounding-type



Electrical supply location

Plumbing Requirements

MODEL UC-24CI

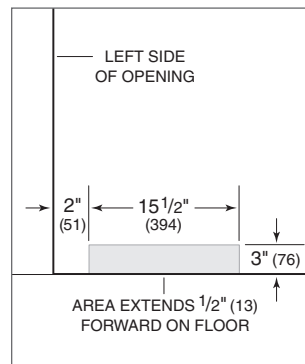
Installation must comply with all applicable plumbing codes.

For Model UC-24CI, locate the water supply line within the shaded area shown in the illustration below. Connect the water supply line to the house supply with an easily accessible shut-off valve between the supply and the unit. Do not use self-piercing valves. A saddle valve kit is available through an authorized Sub-Zero dealer. For local dealer information, visit the find a showroom section of our website, subzero.com.

IMPORTANT NOTE: A reverse osmosis system can be used provided there is constant water pressure supplied to the unit at all times as indicated in the chart below. A copper line is not recommended for this application.

PLUMBING REQUIREMENTS

Water Supply	1/4" OD copper, braided stainless steel, or PEX tubing
Pressure	20–100 psi (1.4–6.9 bar)
Excess Line for Connection	36" (914)



Water supply location

Custom Panel

For overlay models, a custom door panel and handle hardware must be provided. Refer to the charts for panel requirements and dimensions.

Finish all sides of the custom panel. They may be visible when the door is open or through the window of glass door models.

A D-style handle is recommended. Locate the door handle near the edge of the panel opposite the hinge and centered top to bottom.

Model UW-24FS has a finished stainless steel exterior that is designed to be used in a freestanding application.

PANEL REQUIREMENTS

WEIGHT PER PANEL	MAX
UC-24R, UC-24C(I)	20 lb (9 kg)
UC-24BG, UW-24	10 lb (5 kg)

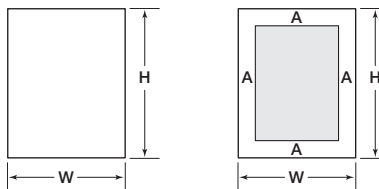
PANEL THICKNESS	MIN
All Panels	5/8" (16)

GLASS DOOR

For models UC-24BG and UW-24, the custom door panel will attach directly to the door frame with screws through a series of pre-drilled holes.

Do not install a solid panel on a glass door unit. A solid door is available as a sales accessory and must be installed if a solid panel is specified. Service may be required to install the door. Contact an authorized Sub-Zero dealer for more information. Overall dimensions are the same for glass and solid door panels.

OVERLAY PANEL DIMENSIONS



UC-24R, UC-24C(I)

UC-24BG, UW-24

PANEL DIMENSIONS

MODEL	W	H
Undercounter Model	23 ³ / ₄ " (603)	30 ¹ / ₁₆ " (764)
STILES / RAILS	A	
UC-24BG, UW-24	2 ¹ / ₄ " (57) min	

DOOR CLEARANCE

Undercounter models can be installed flush with surrounding cabinetry. Depending on the thickness of the custom door panel, it may be necessary to install the unit 1/4" (6) beyond the front surface of adjacent cabinetry to prevent interference when the door is opened to 145°. Refer to the full-scale template on page 9.

STANDARD HANDLES

Optional stainless steel tubular and pro handles are available through an authorized Sub-Zero dealer. For local dealer information, visit the find a showroom section of our website, subzero.com. Refer to the chart below for standard handle lengths.

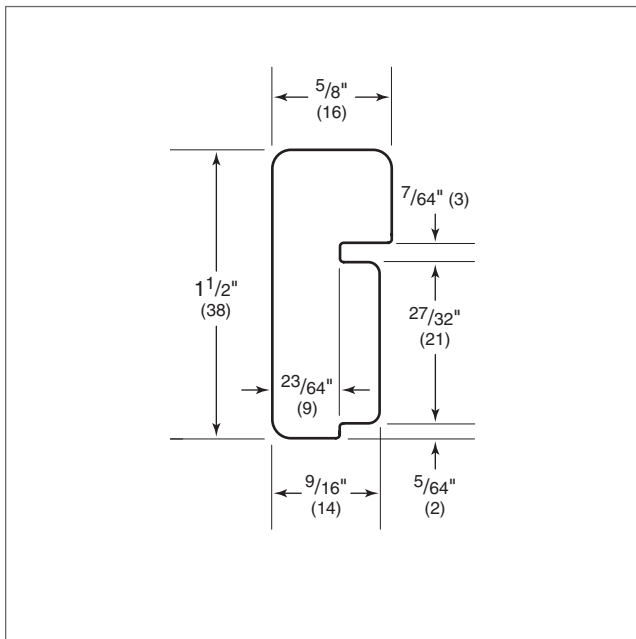
HANDLE LENGTH	TUBULAR	PRO
Undercounter Model	24 ¹ / ₄ " (616)	22 ¹ / ₂ " (572)
Outdoor Model	NA	15 ¹ / ₁₆ " (399)

Wine Rack Wood Facing

FULL-SCALE TEMPLATE

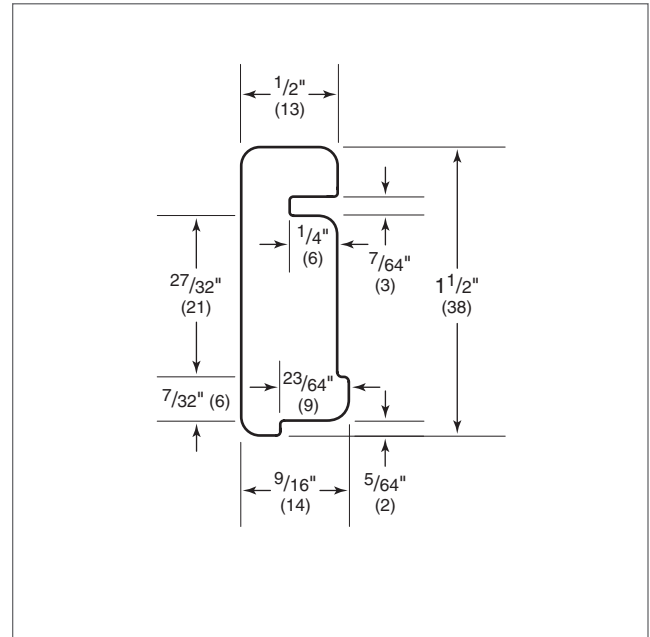
The natural cherrywood facing on wine storage racks can be stained and sealed, or replaced with wood more complementary to surrounding cabinetry. Refer to the full-scale templates for the profile dimensions of the wood facing and the charts for the width.

WOOD FACING WIDTH	W
UC-24BG	19½" (495)
UC-24C(I)	19½" (495)



Wood facing profile—Models UC-24BG and UC-24C(I)

WOOD FACING WIDTH	W
UW-24, UW-24FS	19½" (495)



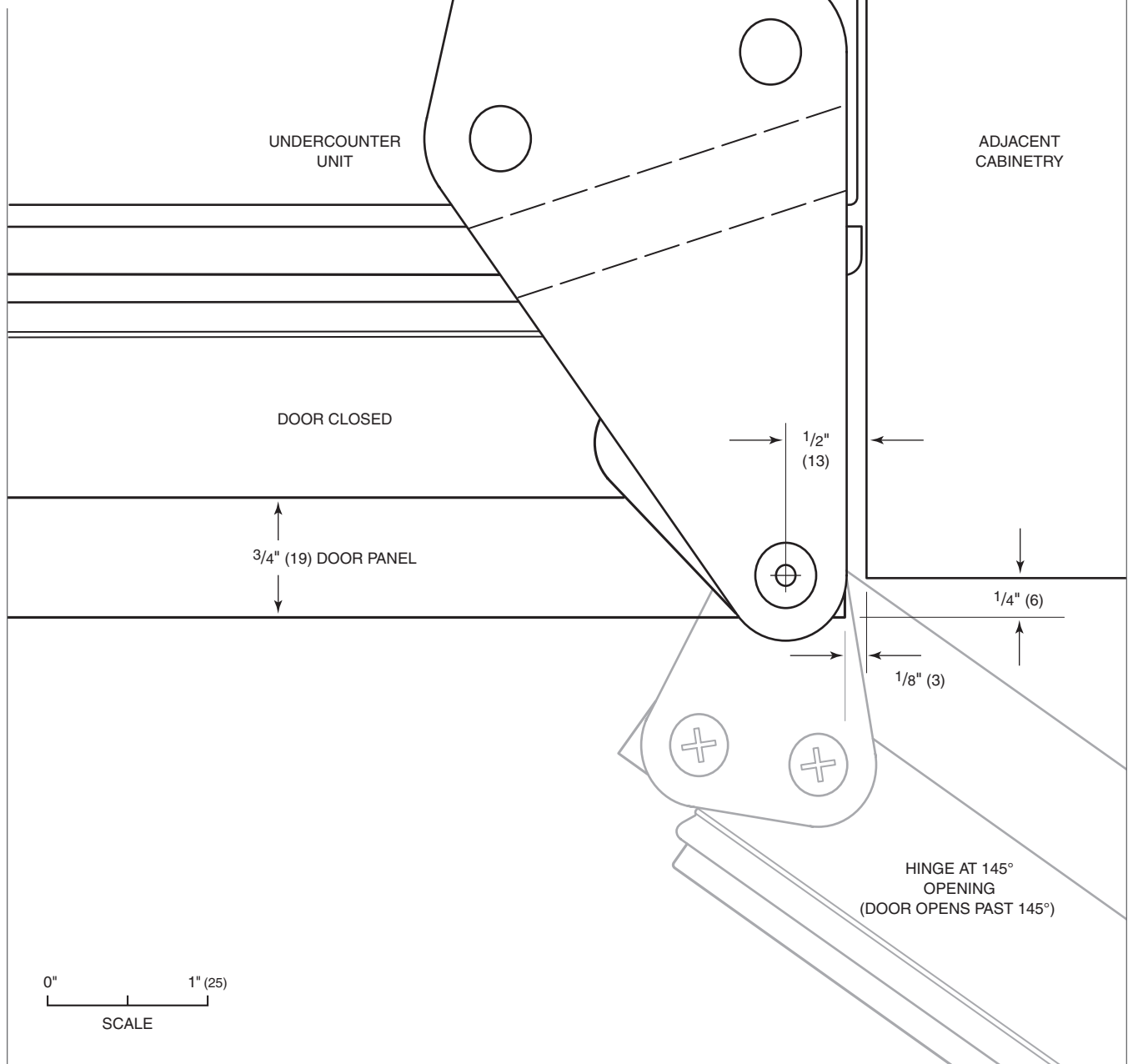
Wood facing profile—Models UW-24 and UW-24FS

Sub-Zero, Sub-Zero & Design, Sub-Zero & Snowflake Design, Dual Refrigeration, The Living Kitchen, Great American Kitchens The Fine Art of Kitchen Design, Wolf, Wolf & Design, Wolf Gourmet, W & Design, red colored knobs, Cove, and Cove & Design are registered trademarks and service marks of Sub-Zero Group, Inc. and its subsidiaries. All other trademarks are property of their respective owners in the United States and other countries.

Door Clearance

FULL-SCALE TEMPLATE

To allow for a 145° door opening, the unit should extend a minimum of 1/4" (6) beyond the front surface of adjacent cabinetry. The unit can be installed flush, however, there is potential for interference with the panel if the door is opened past 90°.



145° door opening (top view)

Sub-Zero Residential Limited Warranty

FOR RESIDENTIAL USE

FULL TWO YEAR WARRANTY*

For two years from the date of original installation, this Sub-Zero product warranty covers all parts and labor to repair or replace, under normal residential use, any part of the product that proves to be defective in materials or workmanship. All service provided by Sub-Zero under the above warranty must be performed by Sub-Zero Factory Certified Service, unless otherwise specified by Sub-Zero, Inc. Service will be provided during normal business hours.

FULL FIVE YEAR SEALED SYSTEM WARRANTY

For five years from the date of original installation, this Sub-Zero product warranty covers all parts and labor to repair or replace, under normal residential use, these parts that prove to be defective in materials or workmanship: compressor, condenser, evaporator, drier and all connecting tubing. All service provided by Sub-Zero under the above warranty must be performed by Sub-Zero Factory Certified Service, unless otherwise specified by Sub-Zero, Inc. Service will be provided during normal business hours.

LIMITED TWELVE YEAR SEALED SYSTEM WARRANTY

For twelve years from the date of original installation, Sub-Zero will repair or replace the following parts that prove to be defective in materials or workmanship: compressor, condenser, evaporator, drier and all connecting tubing. If the owner uses Sub-Zero Factory Certified Service, the service provider will repair or replace these parts with the owner paying for all other costs, including labor. If the owner uses non-certified service, the owner must contact Sub-Zero, Inc. (using the information below) to receive repaired or replacement parts. Sub-Zero will not reimburse the owner for parts purchased from non-certified service or other sources.

TERMS APPLICABLE TO EACH WARRANTY

The warranty applies only to products installed for normal residential use. The warranty applies only to products installed in any one of the fifty states of the United States, the District of Columbia or the ten provinces of Canada. This warranty does not cover any parts or labor to correct any defect caused by negligence, accident or improper use, maintenance, installation, service or repair.

THE REMEDIES DESCRIBED ABOVE FOR EACH WARRANTY ARE THE ONLY ONES THAT SUB-ZERO, INC. WILL PROVIDE, EITHER UNDER THIS WARRANTY OR UNDER ANY WARRANTY ARISING BY OPERATION OF LAW. SUB-ZERO, INC. WILL NOT BE RESPONSIBLE FOR ANY CONSEQUENTIAL OR INCIDENTAL DAMAGES ARISING FROM THE BREACH OF THIS WARRANTY OR ANY OTHER WARRANTY, WHETHER EXPRESS, IMPLIED OR STATUTORY.

Some states do not allow the exclusion or limitation of incidental or consequential damages, so the above limitation or exclusion may not apply to you. This warranty gives you specific legal rights and you may also have other legal rights that vary from state to state.

To receive parts and/or service and the name of Sub-Zero Factory Certified Service nearest you, contact Sub-Zero, Inc., P.O. Box 44848, Madison, WI 53744; check the Product Support section of our website, subzero.com, email us at customerservice@subzero.com, or call 800-222-7820.

*Stainless steel (doors, panels, handles, product frames and interior surfaces) are covered by a limited 60-day parts and labor warranty for cosmetic defects.

*Replacement water filters and air purification cartridges are not covered by the product warranty.



Sub-Zero Outdoor Limited Warranty*

FOR RESIDENTIAL USE

FULL ONE YEAR WARRANTY**

For one year from the date of original installation, this Sub-Zero product warranty covers all parts and labor to repair or replace, under normal residential use, any part of the product that proves to be defective in materials or workmanship. All service provided by Sub-Zero under the above warranty must be performed by Sub-Zero Factory Certified Service, unless otherwise specified by Sub-Zero, Inc. Service will be provided during normal business hours.

FULL FIVE YEAR SEALED SYSTEM WARRANTY

For five years from the date of original installation, this Sub-Zero product warranty covers all parts and labor to repair or replace, under normal residential use, these parts that prove to be defective in materials or workmanship: compressor, condenser, evaporator, drier and all connecting tubing. All service provided by Sub-Zero under the above warranty must be performed by Sub-Zero Factory Certified Service, unless otherwise specified by Sub-Zero, Inc. Service will be provided during normal business hours.

TERMS APPLICABLE TO EACH WARRANTY

The warranty applies only to products installed for normal residential use. The warranty applies only to products installed in any one of the fifty states of the United States, the District of Columbia or the ten provinces of Canada. This warranty does not cover any parts or labor to correct any defect caused by negligence, accident or improper use, maintenance, installation, service or repair.

THE REMEDIES DESCRIBED ABOVE FOR EACH WARRANTY ARE THE ONLY ONES THAT SUB-ZERO, INC. WILL PROVIDE, EITHER UNDER THIS WARRANTY OR UNDER ANY WARRANTY ARISING BY OPERATION OF LAW. SUB-ZERO, INC. WILL NOT BE RESPONSIBLE FOR ANY CONSEQUENTIAL OR INCIDENTAL DAMAGES ARISING FROM THE BREACH OF THIS WARRANTY OR ANY OTHER WARRANTY, WHETHER EXPRESS, IMPLIED OR STATUTORY.

Some states do not allow the exclusion or limitation of incidental or consequential damages, so the above limitation or exclusion may not apply to you. This warranty gives you specific legal rights and you may also have other legal rights that vary from state to state.

To receive parts and/or service and the name of Sub-Zero Factory Certified Service nearest you, contact Sub-Zero, Inc., P.O. Box 44848, Madison, WI 53744; check the Product Support section of our website, subzero.com, email us at customerservice@subzero.com, or call 800-222-7820.

*Product must be approved for outdoor use, designated by model and serial number.

**Stainless steel (doors, panels, handles, product frames and interior surfaces) are covered by a limited 60-day parts and labor warranty for cosmetic defects.

**Replacement water filters are not covered by the product warranty.





SUBZERO.COM