

# DYWS4



## Discovery® Wine Dispensing System

## PLANNING GUIDE

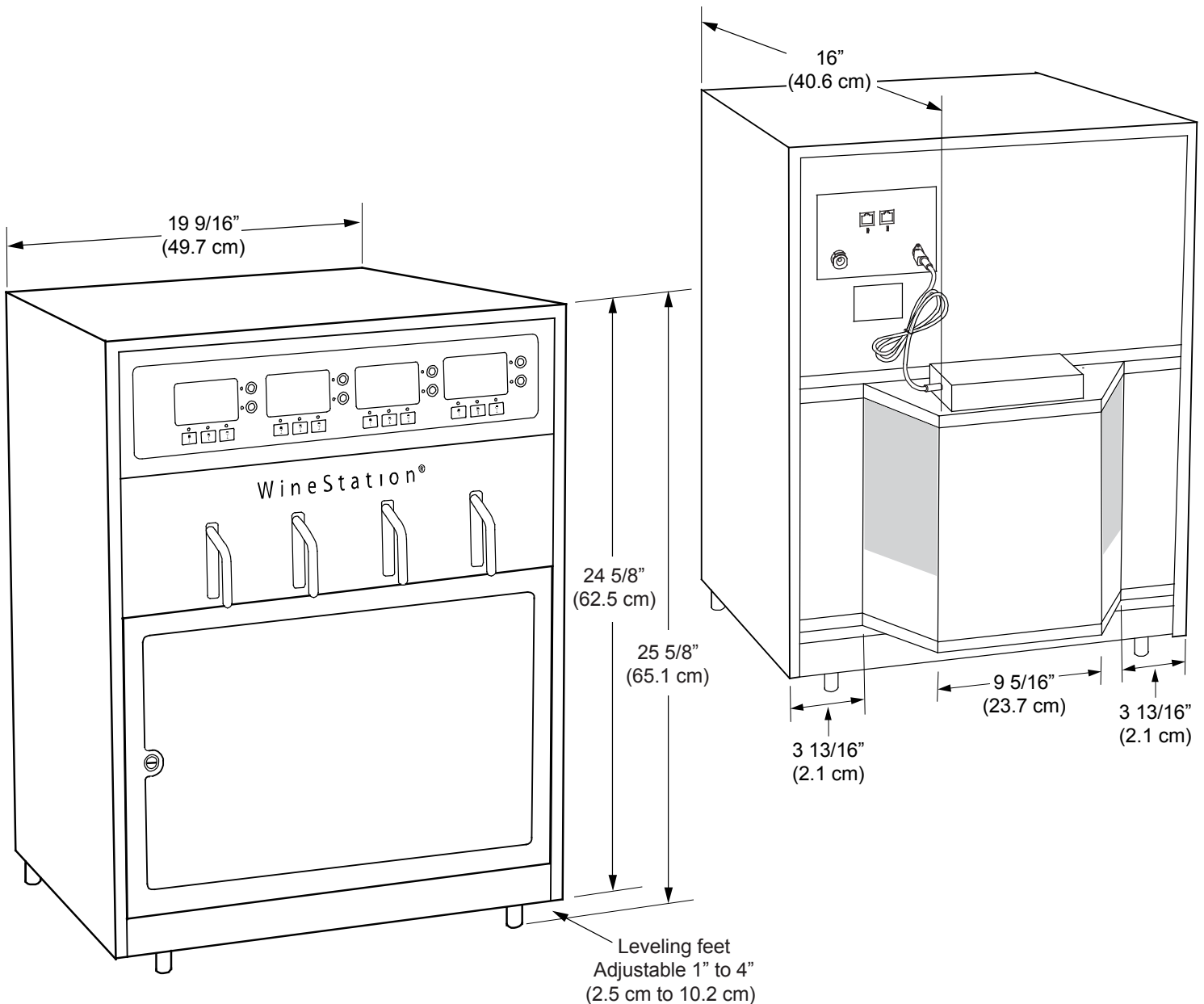
### Technical Specifications/Dimensions

Bottle capacity	4
Power-supply input req's.	120 Vac, 60 Hz, 2 Amps
Circuit requirement	120 Vac, 60 Hz, 10 Amp. 3-wire (hot-L1, neutral (N1), ground), dedicated circuit w/grounded 3-prong electrical outlet
Power-cord length	74" (188 cm); usable length: 48 in. (122 cm)
Gas-tubing length	117" (297 cm); usable length: 72 in. (183 cm)
Appliance weight (empty)	80 lbs. (32 kg)
Operating (room) temp	min. 50°F (10°C); max. 80°F (26.7°C)

All cabinet tolerances: +1/16" (+1.6 mm) -0, unless otherwise stated.

**⚠ WARNING**

- Observe all governing regulation during planning and installation. Contact your local building department for details.
- This appliance must be installed according to the provided instructions.



# DYWS4

Document #PG15-001

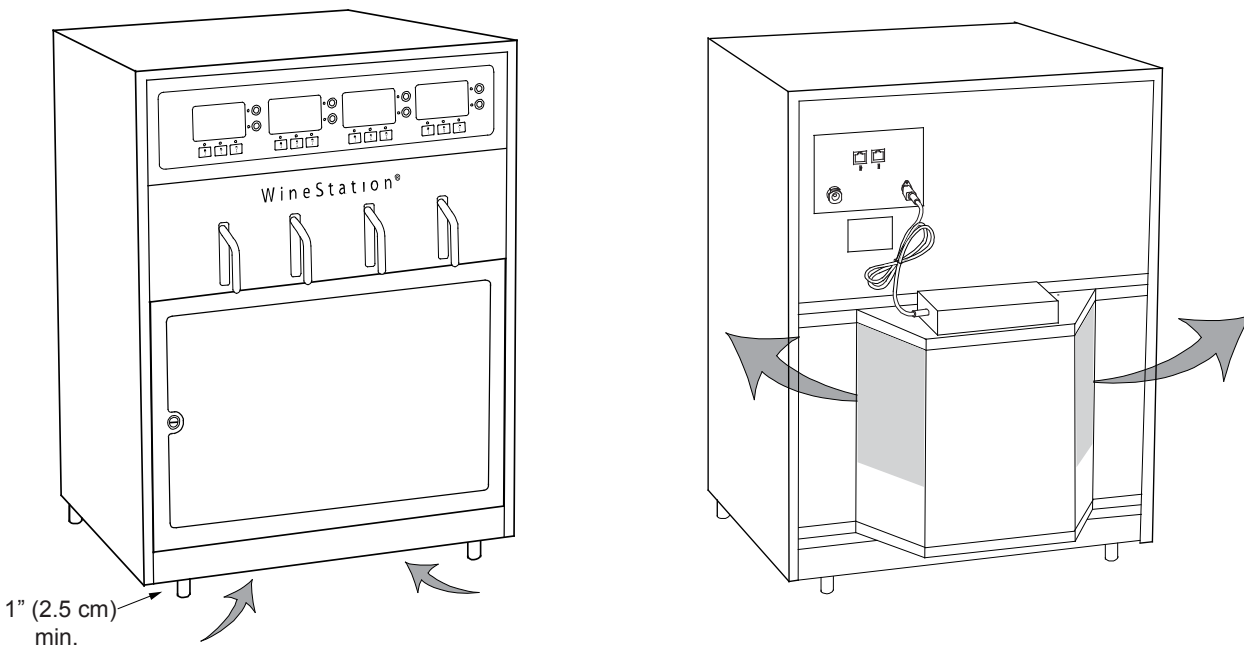
Revised 01/11/17—Page 2 of 3

**dacor**  
The Life of the Kitchen.®

**Discovery® Wine Dispensing System**

**PLANNING  
GUIDE**

*All cabinet tolerances: +1/16" (+1.6 mm) -0,  
unless otherwise stated.*



**ALLOW FOR PROPER AIR CIRCULATION**

## NOTES

- The wine-dispensing system must be installed at a safe distance from heat sources (e.g., heaters, ovens, direct sunlight).
- This appliance is designed for indoor use but may be installed outdoors in a covered, dry location and operated within the required ambient (room) temperature (see Pg. 1).
- All specified maximum/minimum dimensions and clearances must be met or exceeded.
- Due to the possibility of spillage, DO NOT install this appliance above/below another appliance.
- To prevent tipping, do not install this appliance in an unrestrained, free-standing cabinet.
- Install the dispenser only on a flat, level surface that can support its weight; the dispenser must be upright to operate.
- The dispenser must be installed where it is free of potential safety hazards that might impede installation, functionality, or air circulation around the unit. The location must be clean, dry, and free of debris.
- The dispenser's 3-prong electrical outlet must be situated so the dispenser can be easily unplugged as needed.
- A minimum space of 13" H x 9" W x 4" D (33 cm H x 23 cm W x 10 cm D) must be provided in a nearby cabinet (within 6 ft. of the dispenser) to accommodate the dispenser's argon-gas cylinder, regulator, and gas line (with fittings).
- Dacor recommends installing an external UPS with backup battery so the dispenser does not need to be reset after a power outage.
- Do not plug the dispenser into an electrical outlet that can be turned off via switch or pull chain.

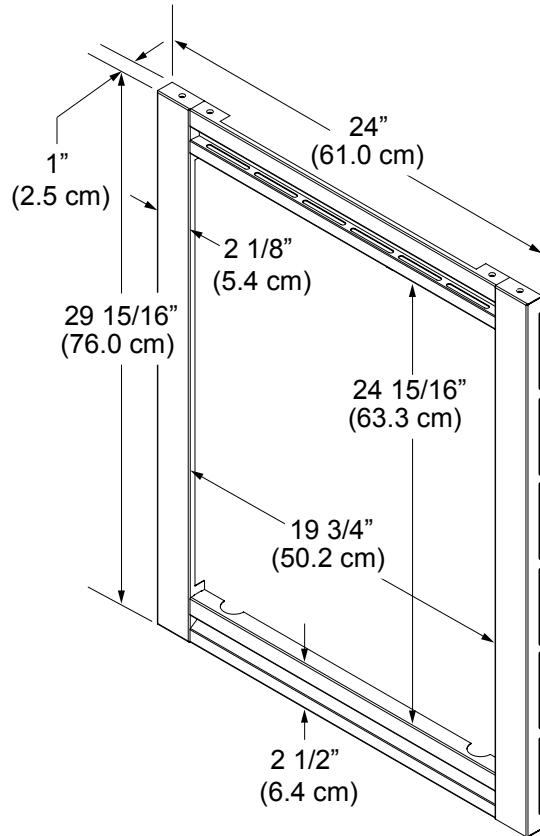
# DYWS4



## Discovery® Wine Dispensing System

## PLANNING GUIDE

All cabinet tolerances: +1/16" (+1.6 mm) -0, unless otherwise stated.



### DIMENSIONS: OPTIONAL AWSTK24 TRIM KIT

#### Minimum Cutout Dimensions

The figures in this table represent the *minimum* sizes for the dimensions of the cabinet cutout based on the size of the dispenser itself; they are not the suggested dimensions to use when adding the optional AWSTK24 Trim Kit. (Those dimensions appear on the graphic to the right.)

**Note the shelf and sidewall thicknesses are minimums for sufficient structural support.**

Dimension	Inches	Centimeters
Cutout width	19 11/16	50.0
Cutout height	26 5/8	67.6
Cutout depth	16	40.6

### CUTOUT DIMENSIONS FOR AWSTK24 TRIM KIT INSTALL

Use the dimensions in this graphic when you install the optional AWSTK24 trim kit.

