



AD704049

Planning notes

Color Variants

AD704049

Product Features

Accessory

Brand

Gaggenau

Product name / series name

SKU

AD704049

Internal article number

00000000011012531

EAN code

4242006260170

Product packaging dimensions

(HxWxD) (in)

3

5

Quantity per packing unit

Standard number of units per pallet

30

UPC code

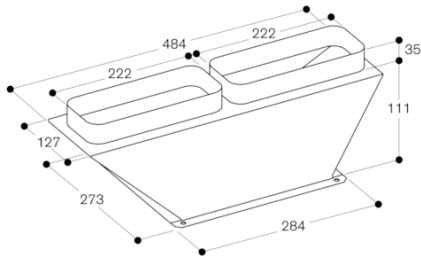
825225963240

Product image

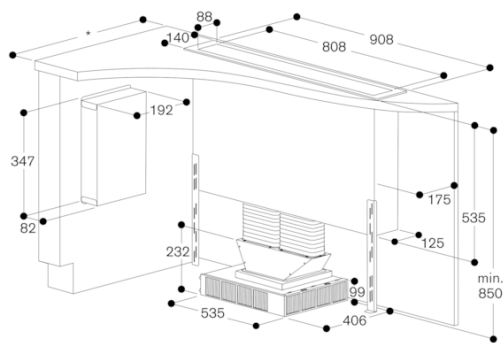
MCSA01497082_G0973_AD704049_100%

2021-01-22

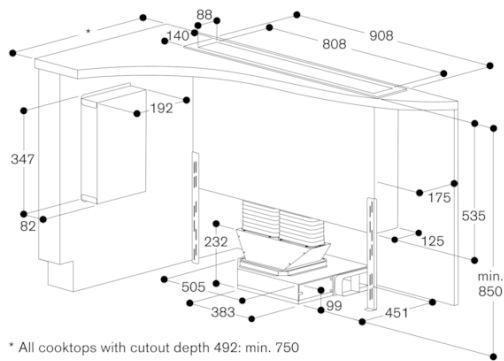
Page 1



measurements in mm



* All cooktops with cutout depth 492: min. 750



* All cooktops with cutout depth 492: min. 750