






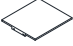

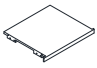








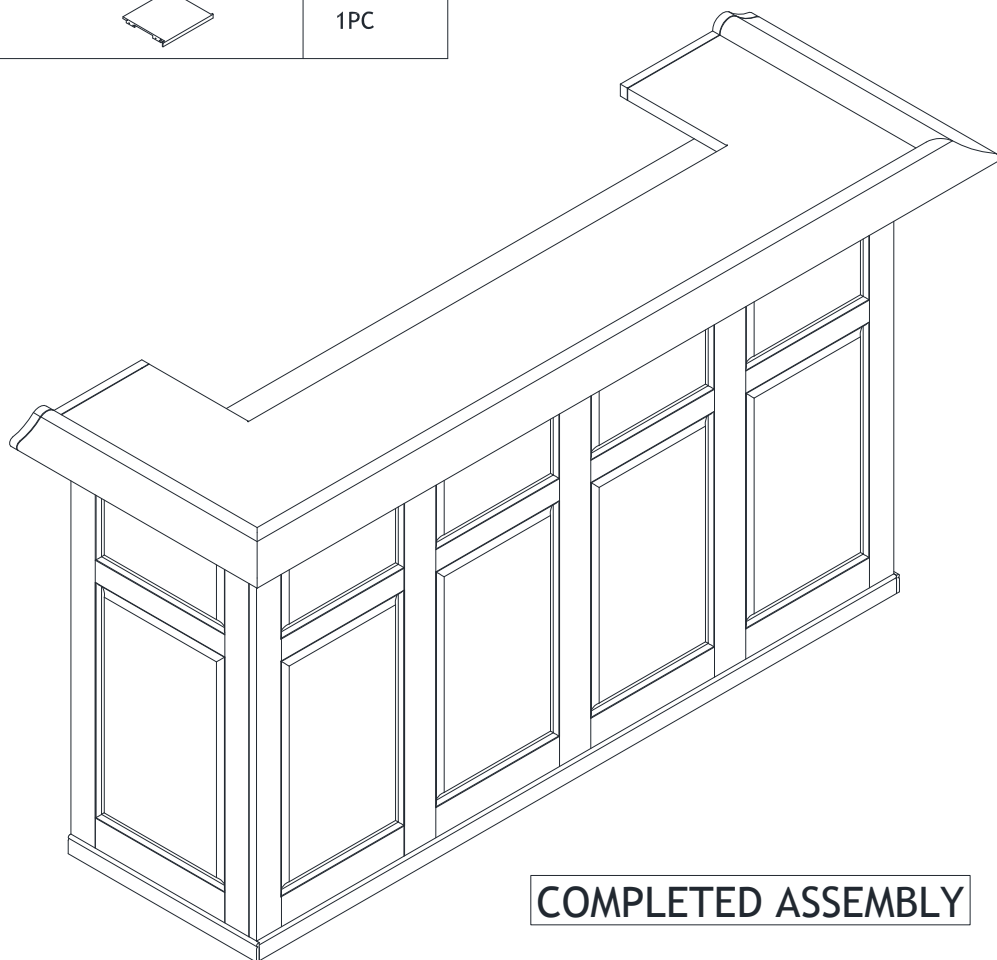


# ASSEMBLY INSTRUCTIONS

MODEL:DBAR84-84"DRY BAR WITH OPTIONAL FRIDGE POCKET

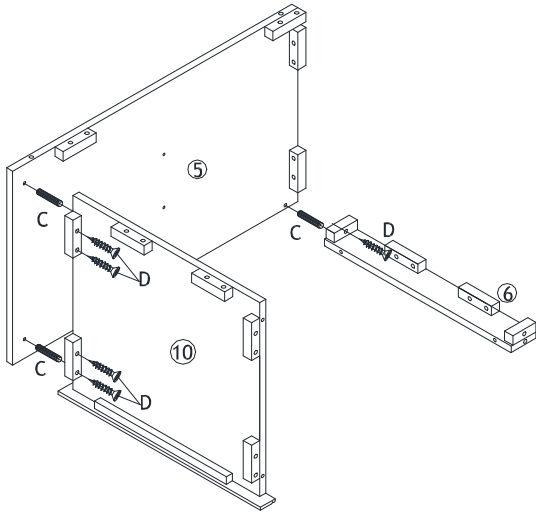
Part List		
ITEM	DESCRIPTION	QTY
1	Top Panel 	1PC
2	Front Panel 	1PC
3	Left Side Panel 	1PC
4	Right Side Panel 	1PC
5	Middle Panel 	1PC
6	Tail Board 	1PC
7	Middle Shelf 	1PC
8	Left Shelf 	1PC
9	Right Shelf 	1PC
10	Bottom 	1PC

Hardware List		
ITEM	DESCRIPTION	QTY
A	JCBC Screw (1/4"*40mm) 	8PCS
B	Washers 	8PCS
C	Wood Dowels 	17PCS
D	CSK Screw 	68PCS
E	Shelf Pin 	4PCS
F	Glue 	1PC
G	Angle Iron 	1PC
H	Screw 	2PCS

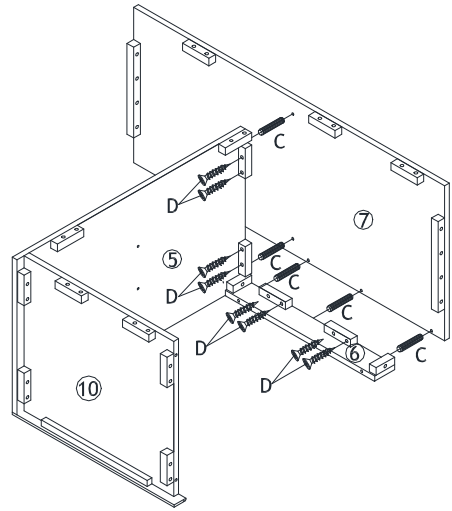


**COMPLETED ASSEMBLY**

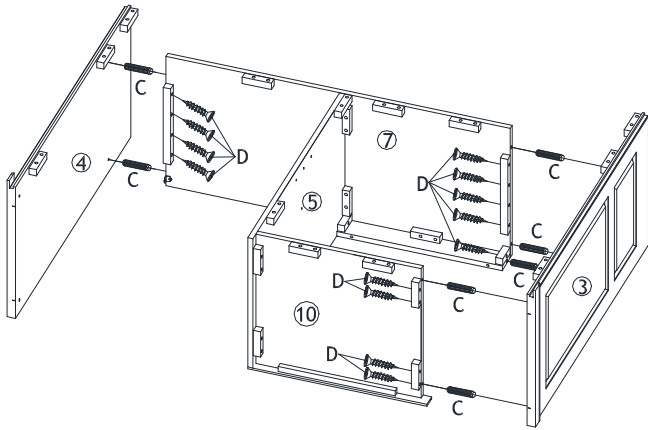
STEP:1



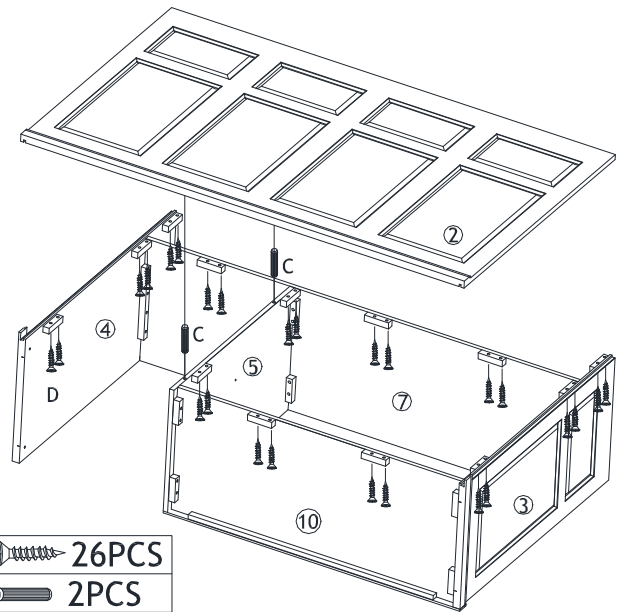
STEP:2



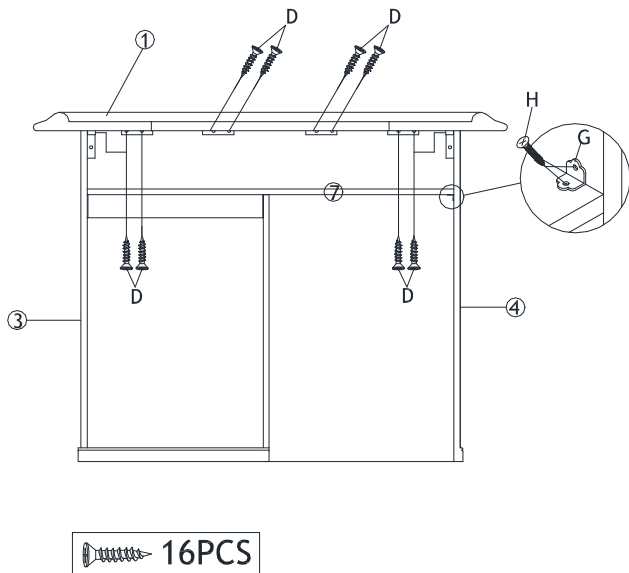
STEP:3



STEP:4



STEP:5



STEP:6

