







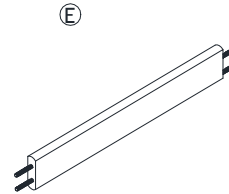
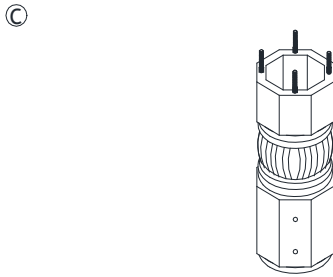
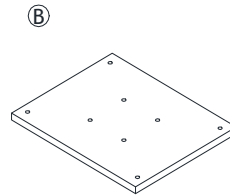
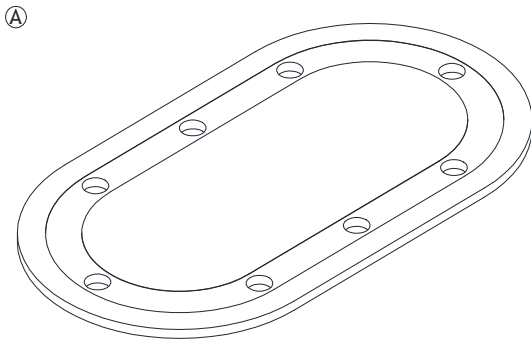
ASSEMBLY INSTRUCTIONS

MODEL:GTBL 84-84" TEXAS HOLD'EM POKER TABLE

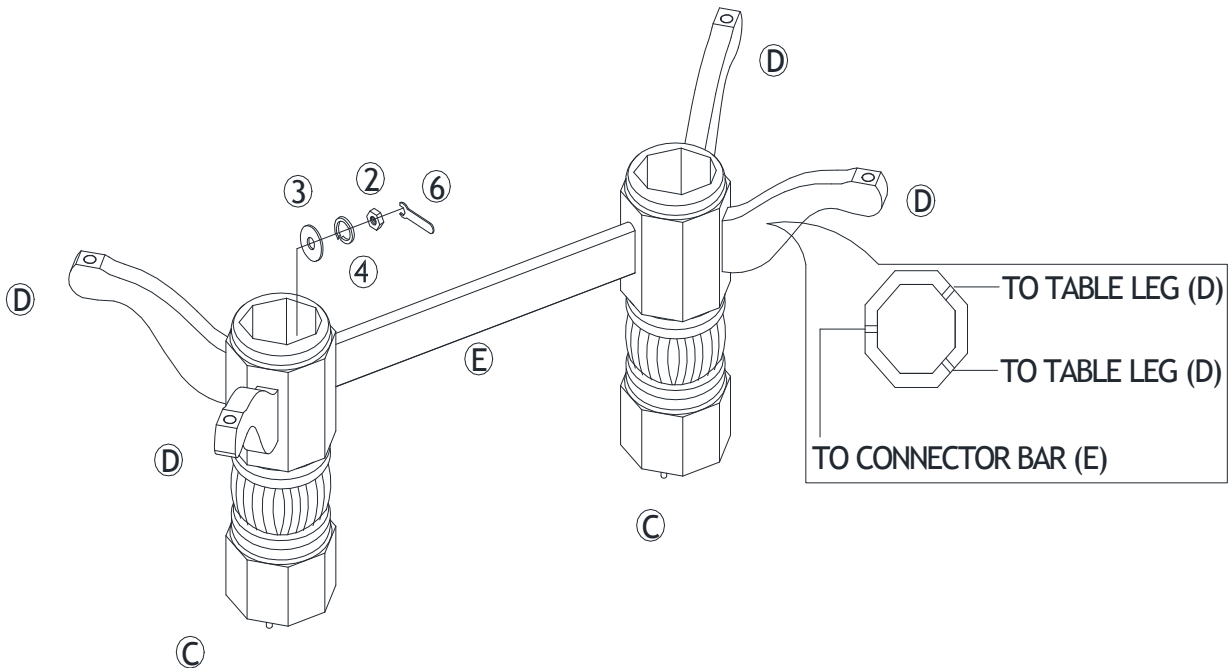
Read this instruction carefully.Refer hardware and furniture parts list for guidance.Be sure all parts are complete,before assembling.Place all wooden furniture part on a clean and flat soft surface to prevent scratches.Refer steps provided as assembling guide

PART LIST		
ITEM	DESCRIPTION	QTY
A	Table Top	1PC
B	Wood Panel	2PCS
C	Table Base	2PCS
D	Table leg	4PCS
E	Connector Bar	1PC

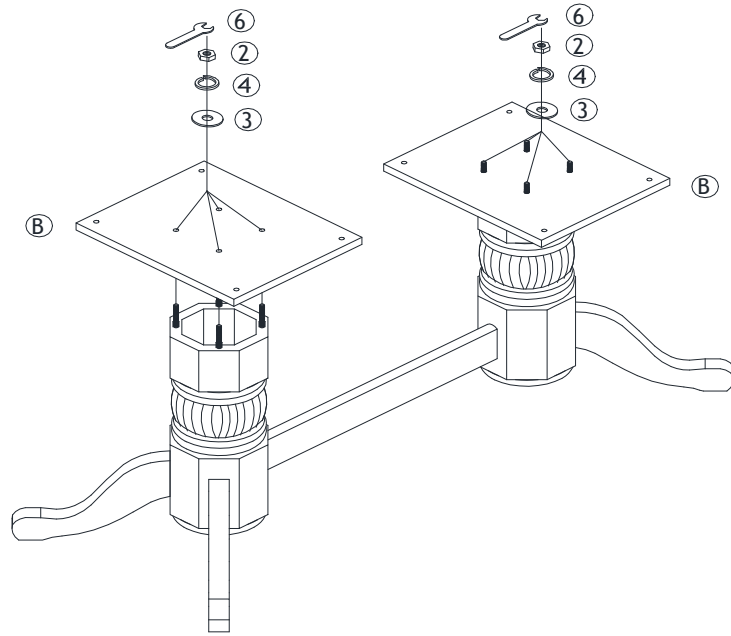
PART LIST		
ITEM	DESCRIPTION	QTY
1	Bolt (5/16"*1-3/4") 	8PCS
2	Hex Nuts 	20PCS
3	Metal Washers (Dia 16mm) 	28PCS
4	Lock Washers (Dia5/16") 	28PCS
5	Allen Wrench 	1PC
6	Spanner 	1PC



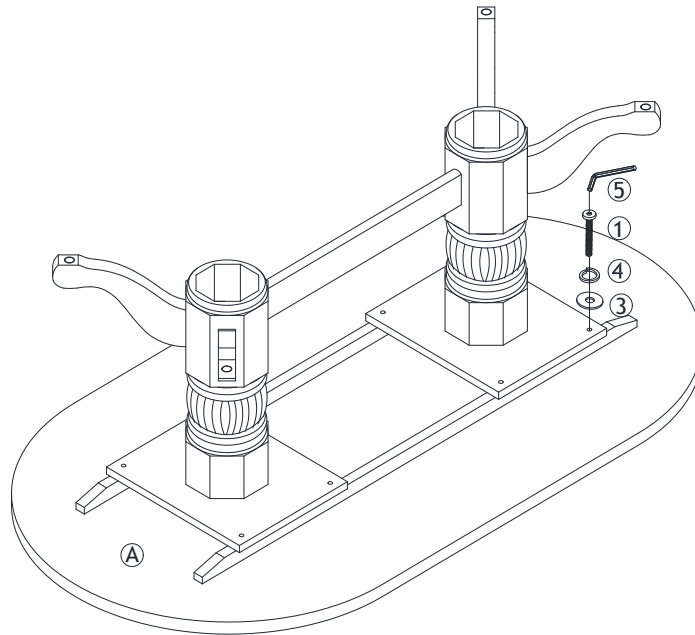
STEP 1



STEP 2



STEP 3



STEP 4

