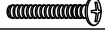


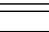



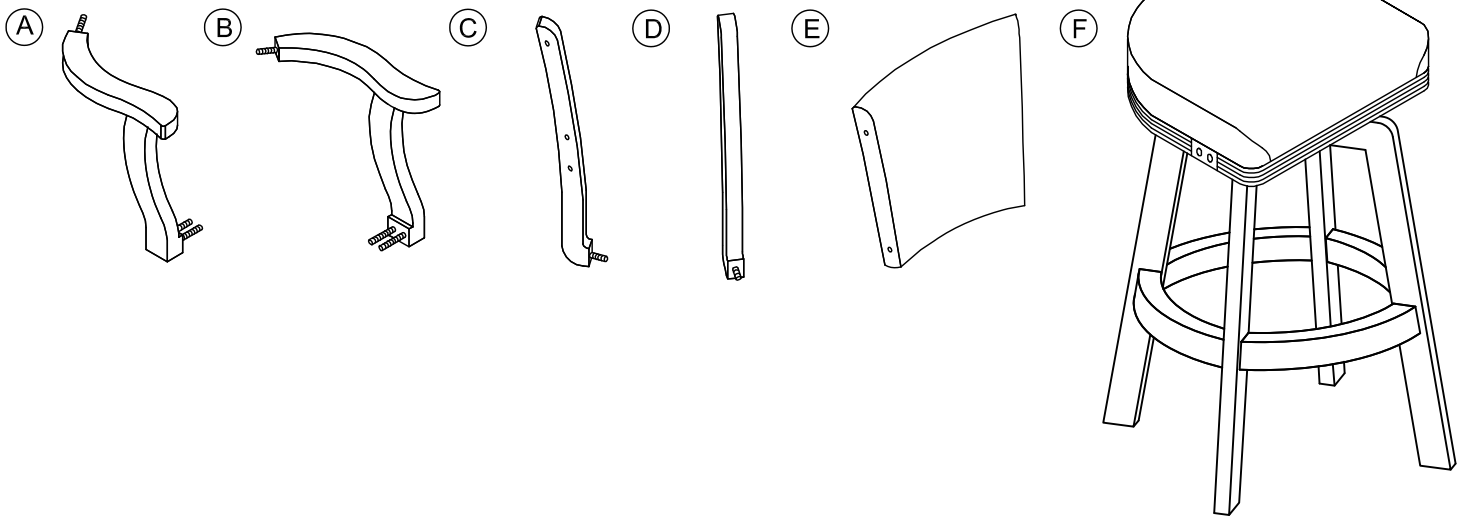
# ASSEMBLY INSTRUCTIONS

## MODEL: BSTL2 - SWIVEL BAR STOOL WITH ARMS

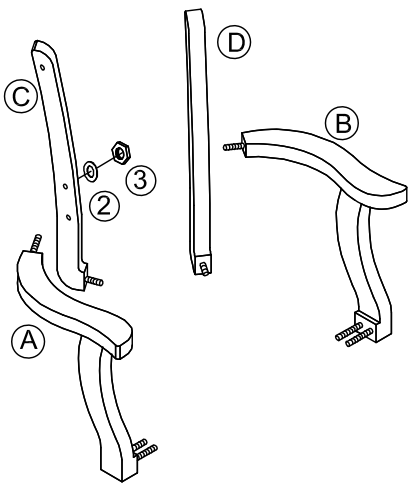
Read this instruction carefully. Refer hardware and furniture parts list for guidance. Be sure all parts are complete, before assembling. Place all wooden furniture part on a clean and flat soft surface to prevent scratches. Refer steps provided as assembling guide.

PART LIST		
ITEM	DESCRIPTION	QTY
A	Right chair arm	1 PC
B	Left chair arm	1 PC
C	Right back support bar	1 PC
D	Left back support bar	1 PC
E	Back Cushion	1 PC
F	Pedestal with cushion	1 PC

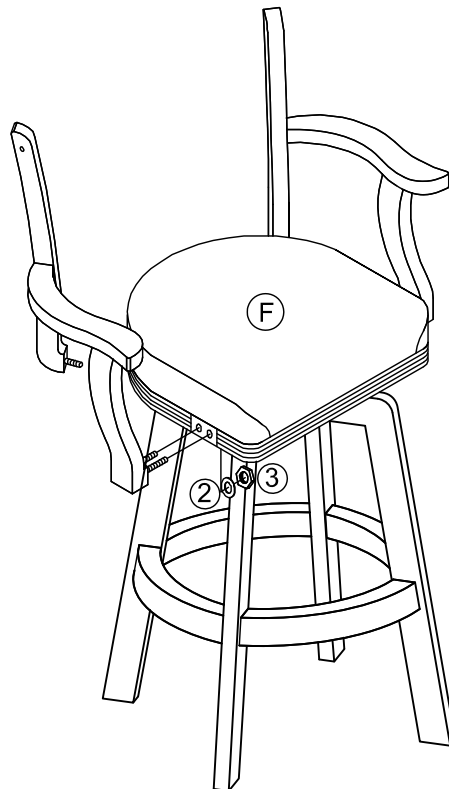
HARDWARE LIST		
ITEM	DESCRIPTION	QTY
1	Screw (M6 x 40MM) 	4 PCS
2	Metal Washers (Dia 16mm) 	12 PCS
3	Hex Nuts 	8 PCS
4	Wood Plugs 	4 PC
5	Allen Wrench 	1 PC



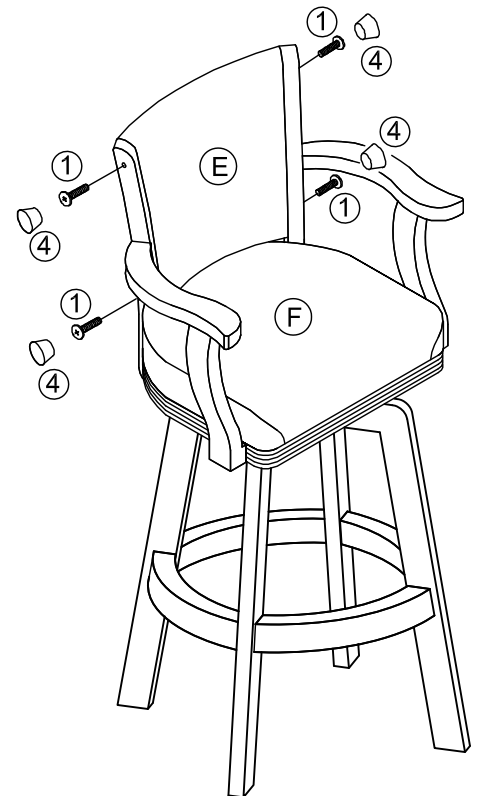
### STEP 1



### STEP 2



### STEP 3



COMPLETED ASSEMBLY