

HCIEXT5UC

9' - 11.5' Ceilings Chimney Extension Kit for 800 Series Island Hood



Features and Benefits



Notes: All height, width and depth dimensions are shown in inches. *Please refer to installation instructions prior to making cutout. BSH reserves the absolute and unrestricted right to change product materials and specifications, at any time, without notice. Consult the product's installation instructions for final dimensional data and other details. Applicable product warranty can be found in a accompanying product literature or you may contact your account manager for further details.

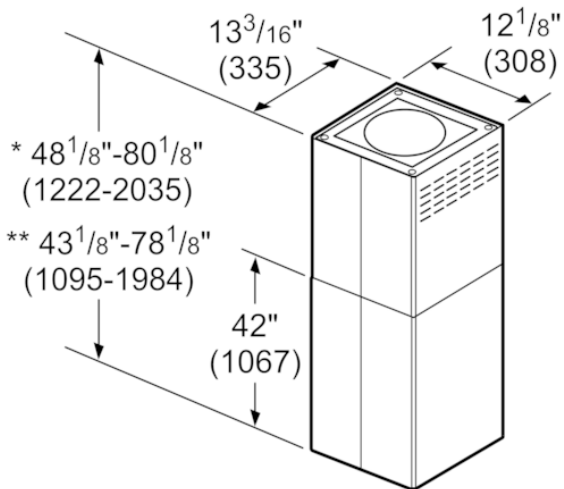
For more information on our entire line of products, go to boschappliances.com or call 1-800-944-2904.

Copyright ©2020 BSH Home Appliances Corporation. All rights reserved. Bosch is a registered trademark of Robert Bosch GmbH.

Litho Date: 11/2020

HCIEXT5UC

9' - 11.5' Ceilings Chimney Extension Kit for 800 Series Island Hood



- * Recirculating installation
- ** Ducted installation

measurements in inches (mm)

Features

Features	
Brand	Accessory Bosch
Product name / series name	
SKU	HCIEXT5UC
Internal article number	00000000011002371
EAN code	4242002797861
Product packaging dimensions (HxWxD) (in)	
	46
	52
Quantity per packing unit	
Standard number of units per pallet	
UPC code	825225909767
Product image	MCSA00712676_HCIEXT5UC_def.jpg

Technical Specification

Notes: All height, width and depth dimensions are shown in inches. *Please refer to installation instructions prior to making cutout. BSH reserves the absolute and unrestricted right to change product materials and specifications, at any time, without notice. Consult the product's installation instructions for final dimensional data and other details. Applicable product warranty can be found in a accompanying product literature or you may contact your account manager for further details.

For more information on our entire line of products, go to boschappliances.com or call 1-800-944-2904.

Copyright ©2020 BSH Home Appliances Corporation. All rights reserved. Bosch is a registered trademark of Robert Bosch GmbH.

Litho Date: 11/2020