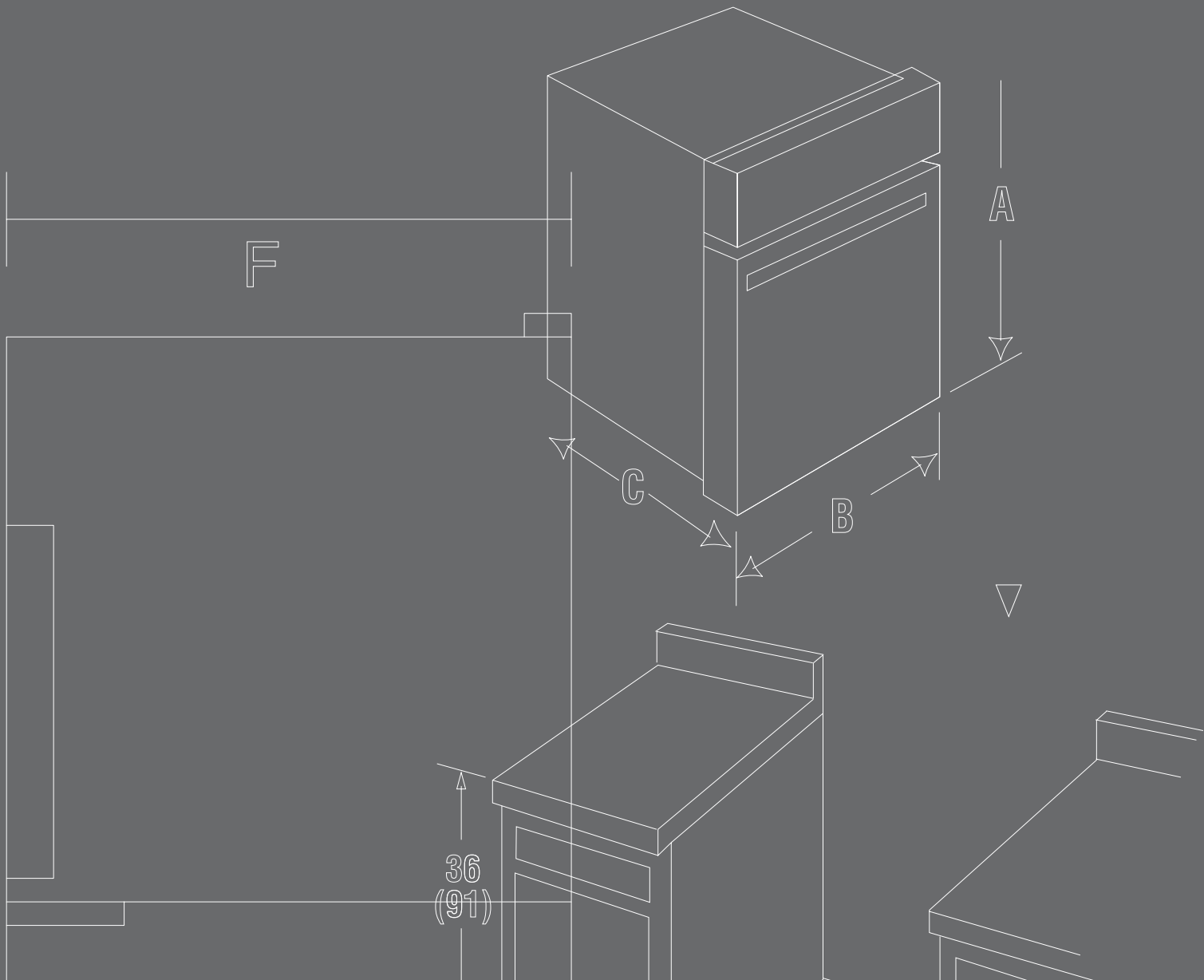




Product Specifications



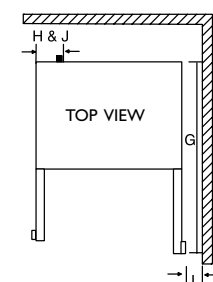
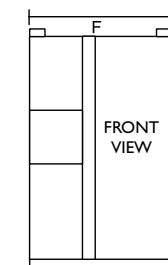
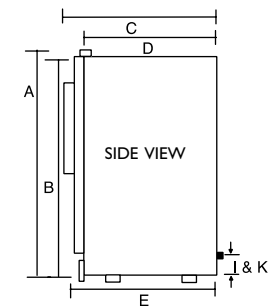
AMANA® SIDE-BY-SIDE 23 CU. FT. REFRIGERATORS
WARRANTY INFORMATION
Parts And Labor

For one (1) year from the original retail purchase date, any part that fails in normal home use will be repaired or replaced free of charge.

If You Need Service

See the Troubleshooting section in your Use and Care Guide, call the dealer from whom your appliance was purchased, or call Maytag Services LLC Customer Assistance at 1-800-688-9900 (U.S.A.) or 1-800-688-2002 (Canada) to locate an authorized servicer.

MODELS	ASD2324HE	ASD2326HE	ASD2328HE
Colors			
White	•	•	•
Bisque	•	•	•
Black	•	•	•
Stainless Steel Door With Stainless-Style Handles	•	•	•
ENERGY STAR®-Qualified	•	•	•
Fresh Food Interior			
Lights	3	3	3
Temp-Assure® Freshness Design	•	Electronic	Electronic
PuriClean® II Retractable Water/Ice Filter	750-Gallon	750-Gallon	750-Gallon
Temperature-Controlled Beverage Chiller™ Compartment	•	•	•
Temperature-Controlled MiniChiller™ Compartment	•	•	•
Adjustable Spillsaver™ Glass Shelves	3	3	3
SideGlide™ Shelf System	•	•	•
Snack Drawer	•	•	•
Humidity-Controlled Garden Fresh™ Sealed Crisper Drawers	1	2	2
Temperature-Controlled Dual Drawer	•	•	•
Dairy Center	•	•	•
Adjustable Gallon Door Buckets	3	2	2
Tilt-Out Door Bin	•	•	•
Tall Bottle Retainer	•	•	•
Bucket Grip Pads	•	•	•
Freezer Interior			
Lights	3	3	3
Wire Shelves	2	1	1
Freezer Baskets	1	1	2
Adjustable Door Buckets	4	4	1
Tilt-Out Door Bins	•	•	3
Dispenser			
Electronic FrontFill™ Dispenser	Three-Button	Five-Button	Five-Button
Auto Night Light	•	•	•
Control Lockout	•	•	•
General Features			
SofSound™ Quiet Package	I	I	II
EasyView™ Lighting Package	•	•	•
Capacities And Unit Dimensions			
Kitchen Cabinet Opening — in. (cm)	33 (83.8)	33 (83.8)	33 (83.8)
Top/Back Air Clearance — in. (cm)	½ (1.3)/½ (1.3)	½ (1.3)/½ (1.3)	½ (1.3)/½ (1.3)
Total Refrigerator Capacity — cu. ft. (cu. m)	22.6 (0.64)	22.6 (0.64)	22.6 (0.64)
Fresh Food Capacity — cu. ft. (cu. m)	14.8 (0.42)	14.8 (0.42)	14.8 (0.42)
Frozen Food Capacity — cu. ft. (cu. m)	7.9 (0.22)	7.9 (0.22)	7.9 (0.22)
A — Cabinet Height With Hinge Cover — in. (cm)	68½ (173.7)	68½ (173.7)	68½ (173.7)
B — Cabinet Height Without Hinge — in. (cm)	66½ (169.9)	66½ (169.9)	66½ (169.9)
C — Cabinet Depth With Door Handle — in. (cm)	33¼ (84.5)	33¼ (84.5)	33¼ (84.5)
D — Cabinet Depth Without Door — in. (cm)	28 (71.1)	28 (71.1)	28 (71.1)
E — Cabinet Depth Without Door Handle — in. (cm)	30¼ (78.1)	30¼ (78.1)	30¼ (78.1)
F — Cabinet Width — in. (cm)	32½ (82.9)	32½ (82.9)	32½ (82.9)
G — Depth With Door @ 90° — in. (cm)	49 (124.5)	49 (124.5)	49 (124.5)
H — Water Line Location From Right Side Facing Back Of Unit — in. (cm)	29 (73.7)	29 (73.7)	29 (73.7)
I — Water Line Location From Bottom — in. (cm)	6 (15.2)	6 (15.2)	6 (15.2)
J — Power Cord Location From Right Side Facing Back Of Unit — in. (cm)	16 (40.6)	16 (40.6)	16 (40.6)
K — Power Cord Location From Bottom — in. (cm)	9 (22.9)	9 (22.9)	9 (22.9)
L — Side Wall Clearance For 90° Door Opening — in. (cm)	2½ (6.4)	2½ (6.4)	2½ (6.4)
Approximate Shipping Weight — lbs. (kg)	300 (136.1)	300 (136.1)	300 (136.1)



All models listed may not be available from every Amana dealer.

Amana's ongoing commitment to quality products may mean a change in product specifications without notice.



AMANA® SIDE-BY-SIDE 26 CU. FT. REFRIGERATORS

MODELS	ASD2620HR	ASD2622HR	ASD2624HE	ASD2626HE	ASD2628HE	ASB2623HR
Colors						
White	•	•	•	•	•	•
Bisque	•	•	•	•	•	•
Black	•	•	•	•	•	•
Silver Metallic	•					
Stainless Steel Door With Stainless-Style Handles		•	•	•	•	
ENERGY STAR®-Qualified			•	•	•	
Exceeds 2005 Energy-Efficiency Standards By 20%				•	•	
Fresh Food Interior						
Lights	2	3	3	3	3	3
Temp-Assure® Freshness Design	•	•	•	Electronic	Electronic	•
PuriClean® II Retractable Water/Ice Filter	750-Gallon	750-Gallon	750-Gallon	750-Gallon	750-Gallon	
Temperature-Controlled Beverage Chiller™ Compartment				•	•	•
Temperature-Controlled MiniChiller™ Compartment						
Adjustable Spillsaver™ Glass Shelves	3	3	3	3	3	3
SideGlide™ Shelf System						•
Snack Drawer			•			
Humidity-Controlled Garden Fresh™ Sealed Crisper Drawers		1	1	2	2	2
Temperature-Controlled Dual Drawer		•	•	•	•	•
Dairy Center	•	•	•	•	•	•
Adjustable Gallon Door Buckets	4	4	3	2	2	2
Tilt-Out Door Bin				•	•	•
Tall Bottle Retainer				•	•	
Bucket Grip Pads					•	
Freezer Interior						
Lights	1	3	3	3	3	2
Wire Shelves	3	2	2	2	1	2
Freezer Baskets		1	1	1	2	2
Adjustable Door Buckets	4	4	4	4	1	2
Tilt-Out Door Bins					3	3
Dispenser						
Electronic FrontFill™ Dispenser	Three-Button	Three-Button	Three-Button	Five-Button	Five-Button	
Auto Night Light				•	•	
Control Lockout				•	•	
General Features						
SoftSound™ Quiet Package	I	I	I	I	II	I
EasyView™ Lighting Package				•	•	
Capacities And Unit Dimensions						
Kitchen Cabinet Opening — in. (cm)	36 (91.4)	36 (91.4)	36 (91.4)	36 (91.4)	36 (91.4)	36 (91.4)
Top/Back Air Clearance — in. (cm)	½ (1.3) ⅜ (1.3)	½ (1.3) ⅜ (1.3)	½ (1.3) ⅜ (1.3)	½ (1.3) ⅜ (1.3)	½ (1.3) ⅜ (1.3)	½ (1.3) ⅜ (1.3)
Total Refrigerator Capacity — cu. ft. (cu. m)	25.6 (0.72)	25.6 (0.72)	25.6 (0.72)	25.6 (0.72)	25.6 (0.72)	25.4 (0.72)
Fresh Food Capacity — cu. ft. (cu. m)	15.8 (0.45)	15.8 (0.45)	15.8 (0.45)	15.8 (0.45)	15.8 (0.45)	15.8 (0.45)
Frozen Food Capacity — cu. ft. (cu. m)	9.8 (0.28)	9.8 (0.28)	9.8 (0.28)	9.8 (0.28)	9.8 (0.28)	9.6 (0.27)
A — Cabinet Height With Hinge Cover — in. (cm)	70 (177.8)	70 (177.8)	70 (177.8)	70 (177.8)	70 (177.8)	70 (177.8)
B — Cabinet Height Without Hinge — in. (cm)	68½ (174)	68½ (174)	68½ (174)	68½ (174)	68½ (174)	68½ (174)
C — Cabinet Depth With Door Handle — in. (cm)	33¼ (84.5)	33¼ (84.5)	33¼ (84.5)	33¼ (84.5)	33¼ (84.5)	33¼ (84.5)
D — Cabinet Depth Without Door — in. (cm)	28 (71.1)	28 (71.1)	28 (71.1)	28 (71.1)	28 (71.1)	28 (71.1)
E — Cabinet Depth Without Door Handle — in. (cm)	30¾ (78.1)	30¾ (78.1)	30¾ (78.1)	30¾ (78.1)	30¾ (78.1)	30¾ (78.1)
F — Cabinet Width — in. (cm)	35¾ (90.5)	35¾ (90.5)	35¾ (90.5)	35¾ (90.5)	35¾ (90.5)	35¾ (90.5)
G — Depth With Door @ 90° — in. (cm)	49¾ (125.7)	49¾ (125.7)	49¾ (125.7)	49¾ (125.7)	49¾ (125.7)	49¾ (125.7)
H — Water Line Location From Right Side Facing Back Of Unit — in. (cm)	29¾ (74.9)	29¾ (74.9)	29¾ (74.9)	29¾ (74.9)	29¾ (74.9)	29¾ (74.9)
I — Water Line Location From Bottom — in. (cm)	7 (17.8)	7 (17.8)	7 (17.8)	7 (17.8)	7 (17.8)	7 (17.8)
J — Power Cord Location From Right Side Facing Back Of Unit — in. (cm)	15½ (39.4)	15½ (39.4)	15½ (39.4)	15½ (39.4)	15½ (39.4)	15½ (39.4)
K — Power Cord Location From Bottom — in. (cm)	9¾ (24.1)	9¾ (24.1)	9¾ (24.1)	9¾ (24.1)	9¾ (24.1)	9¾ (24.1)
L — Side Wall Clearance For 90° Door Opening — in. (cm)	2½ (6.4)	2½ (6.4)	2½ (6.4)	2½ (6.4)	2½ (6.4)	2½ (6.4)
Approximate Shipping Weight — lbs. (kg)	343 (155.6)	343 (155.6)	343 (155.6)	343 (155.6)	343 (155.6)	343 (155.6)

All models listed may not be available from every Amana dealer. Amana's ongoing commitment to quality products may mean a change in product specifications without notice. For installation information, see page 41.



AMANA® SIDE-BY-SIDE CABINET-DEPTH REFRIGERATORS

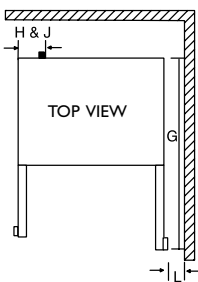
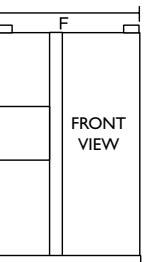
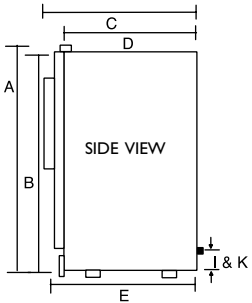
MODELS	ACD2232HR	ACD2234HR	ACD2238HTS
Colors			
White	•	•	
Bisque		•	
Black	•	•	
Stainless Steel	Black Handles	•	Stainless Steel Panels
Fresh Food Interior			
Lights	3	3	3
Temp-Assure® Freshness Design	•	•	•
PuriClean® II Retractable Water/Ice Filter	750-Gallon	750-Gallon	750-Gallon
Temperature-Controlled Beverage Chiller™ Compartment		•	•
Temperature-Controlled MiniChiller™ Compartment		•	•
Adjustable Spillsaver™ Glass Shelves	3	3	3
Framed Humidity-Controlled Garden Fresh™ Crisper Drawers	2	2	2
Framed Temperature-Controlled Deli Drawer	•	•	•
Dairy Center	•	•	•
Adjustable Clear Door Buckets	2	2	2
Freezer Interior			
Lights	3	3	3
Wire Shelves	2	2	2
Adjustable Door Bucket	•	•	•
Adjustable Tilt-Out Door Buckets		3	3
Slide-Out Wire Baskets	2	2	2
Dispenser			
Electronic FrontFill™ Dispenser With: Auto Night Light, Control Lockout, Filter Status Indicator	Three-Button	Five-Button	Five-Button
General Features			
SoftSound™ I Quiet Package	•	•	•
Capacities And Unit Dimensions			
Kitchen Cabinet Opening — in. (cm)	36 (91.4)	36 (91.4)	36 (91.4)
Top/Back Clearance — in. (cm)	½ (1.3) ⅜ (1.3)	½ (1.3) ⅜ (1.3)	½ (1.3) ⅜ (1.3)
Total Refrigerator Capacity — cu. ft. (cu. m)	21.6 (0.61)	21.6 (0.61)	21.6 (0.61)
Fresh Food Capacity — cu. ft. (cu. m)	13.5 (0.38)	13.5 (0.38)	13.5 (0.38)
Frozen Food Capacity — cu. ft. (cu. m)	8.1 (0.23)	8.1 (0.23)	8.1 (0.23)
A — Cabinet Height With Hinge Cover — in. (cm)	70 (177.8)	70 (177.8)	70 (177.8)*
B — Cabinet Height Without Hinge — in. (cm)	68½ (174)	68½ (174)	68½ (174)
C — Cabinet Depth With Door Handle — in. (cm)	29¾ (74.3)	29¾ (74.3)	28¾ (72.4)
D — Cabinet Depth Without Door — in. (cm)	24 (60.9)	24 (60.9)	24 (60.9)
E — Cabinet Depth Without Door Handle — in. (cm)	26¾ (67.9)	26¾ (67.9)	27¾ (68.9)
F — Cabinet Width — in. (cm)	35¾ (90.5)	35¾ (90.5)	35¾ (90.5)
G — Depth With Door @ 90° — in. (cm)	45½ (115.6)	45½ (115.6)	45½ (115.9)
H — Water Line Location From Right Side Facing Back Of Unit — in. (cm)	29¾ (74.9)	29¾ (74.9)	29¾ (74.9)
I — Water Line Location From Bottom — in. (cm)	7 (17.8)	7 (17.8)	7 (17.8)
J — Power Cord Location From Right Side Facing Back Of Unit — in. (cm)	15½ (39.4)	15½ (39.4)	15½ (39.4)
K — Power Cord Location From Bottom — in. (cm)	9¾ (24.1)	9¾ (24.1)	9¾ (24.1)
L — Side Wall Clearance For 90° Door Opening — in. (cm)	2½ (6.4)	2½ (6.4)	1½ (3.8)
Approximate Shipping Weight — lbs. (kg)	300 (136.1)	300 (136.1)	300 (136.1)

*The height of the door to the top of the trim for ACD2238HTS is 70¼" (178.1 cm).

Replacing the stainless steel panels on ACD2238HTS with custom panels results in the following measurements:

	Panel Height	Panel Width	Weight Limitations:
Fresh Food Door — in. (cm)	66¾ (169.5)	18¾ (48.1)	Fresh food panel should not weigh more than 30 lbs. (14 kg). Freezer panels should not weigh more than 15 lbs. (7 kg) each.
Ice And Water Upper Freezer Door — in. (cm)	18¾ (46.0)	13¾ (35.4)	
Ice And Water Lower Freezer Door — in. (cm)	32¾ (81.5)	13¾ (35.4)	

All models listed may not be available from every Amana dealer. Amana's ongoing commitment to quality products may mean a change in product specifications without notice.

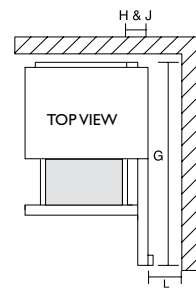
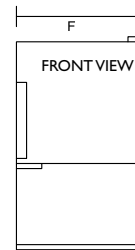
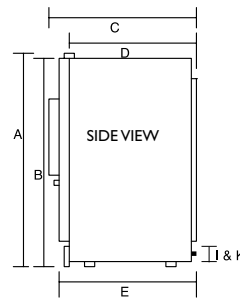




AMANA® EASY REACH™ REFRIGERATORS

Table with columns for Models (ABB1921DE, ABB192ZDE, ABB2223DE, ABB222ZDE) and rows for Colors, Fresh Food Interior, Freezer Interior, and General Features.

Table with columns for Models and rows for Capacities And Unit Dimensions, including Kitchen Cabinet Opening, Top/Back Air Clearance, Total Refrigerator Capacity, Fresh Food Capacity, Frozen Food Capacity, and various dimensions (A through L).



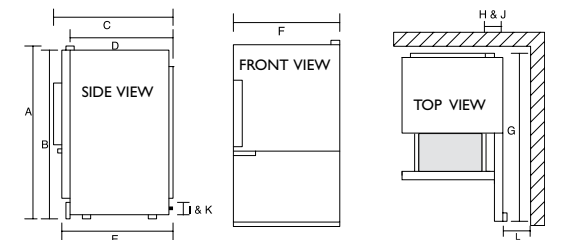
All models listed may not be available from every Amana dealer. Amana's ongoing commitment to quality products may mean a change in product specifications without notice.



AMANA® EASY REACH™ PLUS REFRIGERATORS

Table with columns for Models (ABB1924DE, ABB2224DE, ABB2524DE, ABB1927DE, ABB2227DE, ABB2527DE) and rows for Colors, Fresh Food Interior, Freezer Interior, and General Features.

Table with columns for Models and rows for Capacities And Unit Dimensions, including Kitchen Cabinet Opening, Top/Back Air Clearance, Total Refrigerator Capacity, Fresh Food Capacity, Frozen Food Capacity, and various dimensions (A through L).



All models listed may not be available from every Amana dealer. Amana's ongoing commitment to quality products may mean a change in product specifications without notice.



AMANA® EASY REACH™ PLUS REFRIGERATORS

MODELS	ABD2233DE	ABD2533DE	CABINET-DEPTH ABC2037DE	CABINET-DEPTH ABC2037DT	CABINET-DEPTH ABC2037DP
Style	Freestanding	Freestanding	Freestanding	Built-In Look With Trim And Full-Length Handles	Built-In Look With Trim And Full-Length Handles
Colors					
White	•	•	•	•	•
Bisque	•	•	•	•	•
Black	•	•	•	•	•
Black Cabinet With Stainless Steel Door	•	•	•		Stainless Steel Panels
Stainless Steel With Black Handles	•	•	•		•
Stainless Steel Door With Stainless-Style Handles	•	•	•		•
Door Trim And Handles — Factory-Installed	With Stainless-Style Designer Bar Handles	With Stainless-Style Designer Bar Handles	With Stainless-Style Designer Bar Handles	White On White/Black On Black/Stainless Steel On Black	Stainless-Style
Door Panels				Requires Custom Panels	Stainless Steel — Factory-Installed
ENERGY STAR®-Qualified	•	•	•	•	•
Fresh Food Interior					
Covered Lights	2	2	2	2	2
EasyFill™ Internal Water Dispenser	•	•	•	•	•
PuriClean™ II Retractable Water/Ice Filter	•	•	•	•	•
Electronic Temp-Assure® Freshness Design	•	•	•	•	•
Adjustable Spillsaver™ Glass Shelves (Total)	4 Half-Width	4 Half-Width	4 Half-Width	4 Half-Width	4 Half-Width
EasyGlide™ Shelves	2	2	4	4	4
Temperature-Controlled Beverage Chiller™ Compartment	•	•	•	•	•
Temperature-Controlled Chef's Pantry™ Drawer	With Divider	With Divider	•	•	•
Humidity-Controlled Garden Fresh™ Sealed Crisper Drawers	2 (Framed)	2 (Framed)	2	2	2
Dairy Center	•	•	•	•	•
Gallon Door Storage	•	•	•	•	•
Clear Adjustable Door Buckets	4	4	•	•	•
Bucket Grip Pads	•	•	•	•	•
FreshNest™ Covered Egg Storage	•	•	•	•	•
Bottle Caddy	•	•	•	•	•
Freezer Interior					
Covered Light	•	•	•	•	•
EasyFreezer™ Pull-Out Drawer With EasyClose™ Drawer Track System	•	•	•	•	•
Slide-Out Upper Basket	•	•	•	•	•
Glide-Out Lower Basket With QuickSplit™ Organizer	•	•	•	•	•
Icemaker And Ice Bucket	Factory-Installed	Factory-Installed	Factory-Installed	Factory-Installed	Factory-Installed
General Features					
EasyView™ Lighting Package	•	•	•	•	•
SoSound™ II Quiet Package	•	•	•	•	•
Consumer-Reversible Door Swing	•	•	•	•	•
Capacities And Unit Dimensions					
Kitchen Cabinet Opening — in. (cm)	33 (83.8)	36 (91.4)	36 (91.4)	36 (91.4)	36 (91.4)
Top/Back Air Clearance — in. (cm)	½ (1.3) ½ (1.3)	½ (1.3) ½ (1.3)	½ (1.3) ½ (1.3)	½ (1.3) ½ (1.3)	½ (1.3) ½ (1.3)
Total Refrigerator Capacity — cu. ft. (cu. m)	21.9 (0.63)	25.1 (0.71)	20.3 (0.57)	20.3 (0.57)	20.3 (0.57)
Fresh Food Capacity — cu. ft. (cu. m)	15.6 (0.44)	17.77 (0.51)	14.62 (0.41)	14.62 (0.41)	14.62 (0.41)
Frozen Food Capacity — cu. ft. (cu. m)	6.3 (0.18)	7.29 (0.21)	5.66 (0.16)	5.66 (0.16)	5.66 (0.16)
A — Cabinet Height With Hinge Cover — in. (cm)	69½ (177.5)	69½ (177.5)	70¼ (178.1)	70¼ (178.1)	70¼ (178.1)*
B — Cabinet Height Without Hinge — in. (cm)	68½ (174.3)	68½ (174.3)	68½ (174)	68½ (174)	68½ (174)
C — Cabinet Depth With Door Handle — in. (cm)	33 (83.8)	34 (86.4)	29 (73.7)	28 (71.1)	28 (71.1)
D — Cabinet Depth Without Door — in. (cm)	28 (71.1)	29 (73.7)	24 (60.9)	24 (60.9)	24 (60.9)
E — Cabinet Depth Without Door Handle — in. (cm)	30¾ (78.1)	31¼ (80.6)	27¼ (68.9)	27¼ (68.9)	27¼ (68.9)
F — Cabinet Width — in. (cm)	32¼ (82.9)	35¼ (90.5)	35¼ (90.5)	35¼ (90.5)	35¼ (90.5)
G — Depth With Door @ 90° — in. (cm)	62¼ (157.3)	66¼ (168)	61¼ (155.6)	61¼ (155.6)	61¼ (155.6)
H — Water Line Location From Left Side Facing Back Of Unit — in. (cm)	2 (5.1)	5 (12.7)	8 (20.3)	8 (20.3)	8 (20.3)
I — Water Line Location From Bottom — in. (cm)	6 (15.2)	6 (15.2)	6 (15.2)	6 (15.2)	6 (15.2)
J — Power Cord Location From Left Side Facing Back Of Unit — in. (cm)	14¼ (36.2)	17¼ (43.8)	20¼ (51.4)	20¼ (51.4)	20¼ (51.4)
K — Power Cord Location From Bottom — in. (cm)	9¼ (23.5)	9¼ (23.5)	9¼ (23.5)	9¼ (23.5)	9¼ (23.5)
L — Side Wall Clearance For 90° Door Opening — in. (cm)	¼ (0.6)	¼ (0.6)	¼ (0.2)	¼ (0.6)	¼ (0.6)
Approximate Shipping Weight — lbs. (kg)	313 (141.9)	350 (158.8)	327 (148.3)	327 (148.3)	327 (148.3)

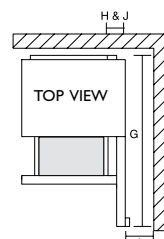
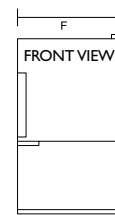
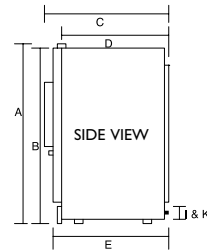
* The height of the door to the top of the trim for ABC2037DP is 36 5/8" (92.7 cm).

Replacing the panels on ABC2037DT with custom panels results in the following measurements:

	Panel Height	Panel Width
Refrigerator Door — in. (cm)	42 (106.7)	35 3/4 (90.5)
Freezer Drawer — in. (cm)	23 1/4 (59.1)	36 1/4 (91.6)

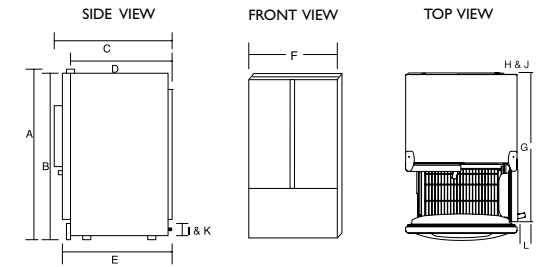
Weight Limitations: Refrigerator door panel should not weigh more than 30 lbs. (14 kg). Freezer drawer panel should not weigh more than 15 lbs. (7 kg).

Amana's ongoing commitment to quality products may mean a change in product specifications without notice.



AMANA® FRENCH DOOR REFRIGERATORS

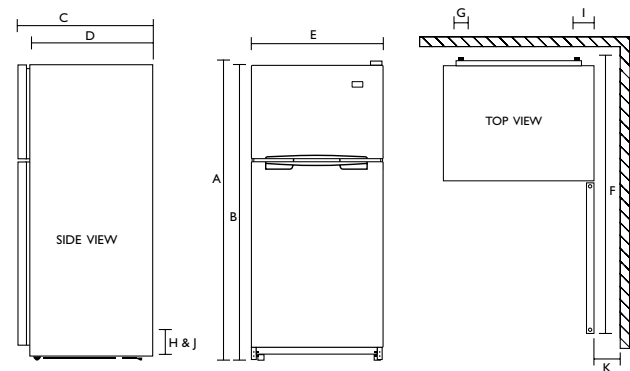
MODELS	FRENCH DOOR AFC2033DR	FRENCH DOOR AFB2534DE	FRENCH DOOR AFD2535DE
Colors			
White	•	•	•
Bisque	•	•	•
Black	•	•	•
Stainless Steel With Black Handles	•		
Stainless Steel Door With Stainless-Style Handles		•	•
ENERGY STAR®-Qualified	•	•	•
Fresh Food Interior			
Covered Lights	2	2	2
EasyFill™ Internal Water Dispenser			•
PuriClean™ II Retractable Water/Ice Filter			•
Electronic Temp-Assure® Freshness Design	•	•	•
Adjustable Spillsaver™ Glass Shelves (Total)	4 Half-Width	4 Half-Width	4 Half-Width
EasyGlide™ Shelves	4	2	2
Temperature-Controlled Beverage Chiller™ Compartment			
Temperature-Controlled Chef's Pantry™ Drawer	With Divider	With Divider	With Divider
Humidity-Controlled Garden Fresh™ Sealed Crisper Drawers	2 (Framed)	2 (Framed)	2 (Framed)
Dairy Center	•	•	•
Gallon Door Storage	•	•	•
Clear Adjustable Door Buckets	5	5	5
Bucket Grip Pads	•	•	•
FreshNest™ Covered Egg Storage	•	•	•
Bottle Caddy	•	•	•
Freezer Interior			
Covered Light	•	•	•
EasyFreezer™ Pull-Out Drawer With EasyClose™ Drawer Track System	•	•	•
Slide-Out Upper Basket	•	•	•
Glide-Out Lower Basket With QuickSplit™ Organizer	•	•	•
Icemaker And Ice Bucket	Factory-Installed		Factory-Installed
General Features			
EasyView™ Lighting Package	•	•	•
SoSound™ II Quiet Package	•	•	•
Consumer-Reversible Door Swing			
Capacities And Unit Dimensions			
Kitchen Cabinet Opening — in. (cm)	36 (91.4)	36 (91.4)	36 (91.4)
Top/Back Air Clearance — in. (cm)	½ (1.3) ½ (1.3)	½ (1.3) ½ (1.3)	½ (1.3) ½ (1.3)
Total Refrigerator Capacity — cu. ft. (cu. m)	19.8 (0.56)	24.8 (0.70)	24.8 (0.70)
Fresh Food Capacity — cu. ft. (cu. m)	14.4 (0.41)	17.5 (0.50)	17.5 (0.50)
Frozen Food Capacity — cu. ft. (cu. m)	5.4 (0.15)	7.29 (0.21)	7.29 (0.21)
A — Cabinet Height With Hinge Cover — in. (cm)	69½ (177.5)	69½ (177.5)	69½ (177.5)
B — Cabinet Height Without Hinge — in. (cm)	68½ (174.3)	68½ (174)	68½ (174)
C — Cabinet Depth With Door Handle — in. (cm)	29¼ (75.3)	34 (86.4)	34 (86.4)
D — Cabinet Depth Without Door — in. (cm)	24 (60.9)	29 (73.7)	29 (73.7)
E — Cabinet Depth Without Door Handle — in. (cm)	26¼ (67.9)	31¼ (80.6)	31¼ (80.6)
F — Cabinet Width — in. (cm)	35¼ (90.5)	35¼ (90.5)	35¼ (90.5)
G — Depth With Door @ 90° — in. (cm)	61¼ (155.6)	48¼ (122.5)	48¼ (122.5)
H — Water Line Location From Left Side Facing Back Of Unit — in. (cm)	8 (20.3)	5 (12.7)	5 (12.7)
I — Water Line Location From Bottom — in. (cm)	6 (15.2)	6 (15.2)	6 (15.2)
J — Power Cord Location From Left Side Facing Back Of Unit — in. (cm)	20¼ (51.4)	17¼ (43.8)	17¼ (43.8)
K — Power Cord Location From Bottom — in. (cm)	9¼ (23.5)	9¼ (23.5)	9¼ (23.5)
L — Side Wall Clearance For 90° Door Opening — in. (cm)	¼ (0.6)	¼ (1.3)	¼ (1.3)
Approximate Shipping Weight — lbs. (kg)	300 (136.1)	350 (158.8)	350 (158.8)



All models listed may not be available from every Amana dealer. Amana's ongoing commitment to quality products may mean a change in product specifications without notice.

AMANA® 15 AND 18 CU. FT. TOP-FREEZER REFRIGERATORS

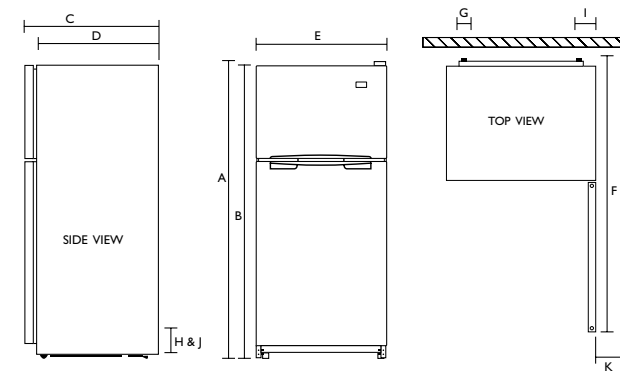
MODELS	ATB1504AR	ATB1830AR	ATB1832AR	ATB1836AR	ATF1836AR
Colors					
White	•	•	•	•	•
Bisque		•	•		•
Black				•	•
Silver Metallic			•		
Stainless Steel	•			•	•
Fresh Food Interior					
Light	•	•	•	•	•
Central Cool™ System			•	•	•
Adjustable Spillsaver™ Glass Shelves				•	•
Glass Crisper Shelf	•	•	•	•	•
Humidity-Controlled Garden Fresh™ Crisper Drawers	2	2	2	2	2
Dairy Center	•	•	•	•	•
Fixed Gallon Door Shelves	2	2	2		
Fixed Door Buckets	1	1	1	1	1
Adjustable Gallon Door Buckets				4	4
Freezer Interior					
Covered Light				•	•
Wire Shelf	•	•	•	•	•
Optional Icemaker And Ice Bucket	UKI1500AXX	UKI1500AXX	UKI1500AXX	UKI1500AXX	Factory-Installed
FlexAction Ice Cube Trays	2	2	2	2	
Capacities And Unit Dimensions					
Kitchen Cabinet Opening — in. (cm)	28 (71.1)	30 (76.2)	30 (76.2)	30 (76.2)	30 (76.2)
Top/Back Air Clearance — in. (cm)	½ (1.3) ⅜ (1.3)	½ (1.3) ⅜ (1.3)	½ (1.3) ⅜ (1.3)	½ (1.3) ⅜ (1.3)	½ (1.3) ⅜ (1.3)
Total Refrigerator Capacity — cu. ft. (cu. m)	14.99 (0.42)	18.1 (0.51)	18.1 (0.51)	18.1 (0.51)	18.1 (0.51)
Fresh Food Capacity — cu. ft. (cu. m)	10.75 (0.30)	13 (0.37)	13 (0.37)	13 (0.37)	13 (0.37)
Frozen Food Capacity — cu. ft. (cu. m)	4.24 (0.12)	5.1 (0.14)	5.1 (0.14)	5.1 (0.14)	5.1 (0.14)
A — Cabinet Height With Hinge Cover — in. (cm)	61½ (157.2)	66½ (169.2)	66½ (169.2)	66½ (169.2)	66½ (169.2)
B — Cabinet Height Without Hinge — in. (cm)	61¼ (155.6)	66 (167.6)	66 (167.6)	66 (167.6)	66 (167.6)
C — Cabinet Depth With Door Handle — in. (cm)	28¾ (72.4)	29¾ (74.7)	29¾ (74.7)	29¾ (74.7)	29¾ (74.9)
D — Cabinet Depth Without Door — in. (cm)	25¼ (64.1)	26½ (66.4)	26½ (66.4)	26½ (66.4)	26¼ (66.7)
E — Cabinet Width — in. (cm)	28 (71.1)	29¾ (75.2)	29¾ (75.2)	29¾ (75.2)	29¾ (75.2)
F — Depth With Door @ 90° — in. (cm)	54¼ (138.4)	56½ (143.3)	56½ (143.3)	56½ (143.3)	56½ (143.5)
G — Water Line Location From Left Side Facing Back Of Unit — in. (cm)	2 (5.1)	30¾ (77.2)	30¾ (77.2)	30¾ (77.2)	30¾ (77.5)
H — Water Line Location From Bottom — in. (cm)	6 (15.2)	5¾ (13.5)	5¾ (13.5)	5¾ (13.5)	5¾ (13.7)
I — Power Cord Location From Left Side Facing Back Of Unit — in. (cm)	2 (5.1)	2 (5.1)	2 (5.1)	2 (5.1)	2 (5.1)
J — Power Cord Location From Bottom — in. (cm)	11 (28)	10¼ (27.3)	10¼ (27.3)	10¼ (27.3)	10¼ (27.3)
K — Side Wall Clearance For 90° Door Opening — in. (cm)	1 (2.5)	1¼ (3.8)	1¼ (3.8)	1¼ (3.8)	1¼ (3.8)
Approximate Shipping Weight — lbs. (kg)	208 (94.3)	193.6 (87.8)	193.6 (87.8)	193.6 (87.8)	193.6 (87.8)



All models listed may not be available from every Amana dealer. Amana's ongoing commitment to quality products may mean a change in product specifications without notice.

AMANA® 21 CU. FT. TOP-FREEZER REFRIGERATORS

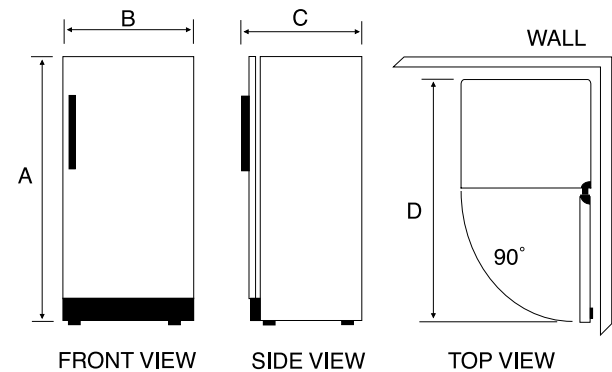
MODELS	ATB2130AR	ATB2132AR	ATB2136AR	ATF2136AR
Colors				
White	•	•	•	•
Bisque	•	•		•
Black			•	•
Silver Metallic		•		
Stainless Steel			•	•
Fresh Food Interior				
Light	•	•	•	•
Central Cool™ System		•	•	•
Adjustable Spillsaver™ Glass Shelves			•	•
Glass Crisper Shelf	•	•	•	•
Humidity-Controlled Garden Fresh™ Crisper Drawers	2	2	2	2
Dairy Center	•	•	•	•
Fixed Gallon Door Shelves	2	2		
Fixed Door Buckets	1	1	1	1
Adjustable Gallon Door Buckets			4	4
Freezer Interior				
Covered Light			•	•
Wire Shelf	•	•	•	•
Optional Icemaker And Ice Bucket	UKI1500AXX	UKI1500AXX	UKI1500AXX	Factory-Installed
FlexAction Ice Cube Trays	2	2	2	
Capacities And Unit Dimensions				
Kitchen Cabinet Opening — in. (cm)	33 (83.8)	33 (83.8)	33 (83.8)	33 (83.8)
Top/Back Air Clearance — in. (cm)	½ (1.3) ⅜ (1.3)	½ (1.3) ⅜ (1.3)	½ (1.3) ⅜ (1.3)	½ (1.3) ⅜ (1.3)
Total Refrigerator Capacity — cu. ft. (cu. m)	20.97 (0.59)	20.97 (0.59)	20.97 (0.59)	20.97 (0.59)
Fresh Food Capacity — cu. ft. (cu. m)	14.9 (0.42)	14.9 (0.42)	14.9 (0.42)	14.9 (0.42)
Frozen Food Capacity — cu. ft. (cu. m)	6.07 (0.17)	6.07 (0.17)	6.07 (0.17)	6.07 (0.17)
A — Cabinet Height With Hinge Cover — in. (cm)	66½ (169.2)	66½ (169.2)	66½ (169.2)	66½ (169.2)
B — Cabinet Height Without Hinge — in. (cm)	66 (167.6)	66 (167.6)	66 (167.6)	66 (167.6)
C — Cabinet Depth With Door Handle — in. (cm)	30¾ (76.7)	30¾ (76.7)	30¾ (76.7)	30¾ (76.8)
D — Cabinet Depth Without Door — in. (cm)	26¾ (68.5)	26¾ (68.5)	26¾ (68.5)	27 (68.6)
E — Cabinet Width — in. (cm)	32¾ (82.9)	32¾ (82.9)	32¾ (82.9)	32¾ (83.2)
F — Depth With Door @ 90° — in. (cm)	60¾ (154.2)	60¾ (154.2)	60¾ (154.2)	60¾ (154.3)
G — Water Line Location From Left Side Facing Back Of Unit — in. (cm)	27½ (69.1)	27½ (69.1)	27½ (69.1)	27½ (69.1)
H — Water Line Location From Bottom — in. (cm)	5¾ (13.5)	5¾ (13.5)	5¾ (13.5)	5¾ (13.7)
I — Power Cord Location From Left Side Facing Back Of Unit — in. (cm)	2 (5.1)	2 (5.1)	2 (5.1)	2 (5.1)
J — Power Cord Location From Bottom — in. (cm)	10¼ (27.3)	10¼ (27.3)	10¼ (27.3)	10¼ (27.3)
K — Side Wall Clearance For 90° Door Opening — in. (cm)	1¼ (2.8)	1¼ (2.8)	1¼ (2.8)	1¼ (2.9)
Approximate Shipping Weight — lbs. (kg)	220.5 (100)	220.5 (100)	220.5 (100)	220.5 (100)



All models listed may not be available from every Amana dealer. Amana's ongoing commitment to quality products may mean a change in product specifications without notice.

AMANA® DEEPFREEZE® UPRIGHT FREEZERS

MODELS	AFU1202BW	AQU1525AEW	AFU1705BW	AFU2005BW	AFU1567BW	AFU1767BW	AFU2067BW
Color							
White	•	•	•	•	•	•	•
ENERGY STAR®-Qualified		•					
Deepfreeze® Freezer Interior							
Frozen Food Capacity — cu. ft. (cu. m)	11.8 (0.33)	15.2 (0.43)	16.8 (0.47)	19.6 (0.55)	15.0 (0.43)	16.8 (0.47)	19.6 (0.55)
Defrost Type	Manual	Manual	Manual	Manual	Free-O-Frost™	Free-O-Frost™	Free-O-Frost™
Adjustable Temperature Control	•	•	•	•	•	•	•
Cabinet Shelves	3	3	3	4	3	4	4
Door Shelves	5	4	5	6	4	5	6
Power On Light					•	•	•
Interior Light		•	•	•	•	•	•
Lock With Key		•	•	•	•	•	•
Storage Gate	•	•			•		
Storage Basket			•	•	•	•	•
Fast-Freeze Settings		•	•	•	•	•	•
Temperature Alarm System							•
Defrost Drain	•	•	•	•			
Exterior Features							
Handle Type	Recessed	Recessed	Full	Full	Full	Full	Full
Flat Back					•	•	•
Seamless Interior Liner	•	•	•	•	•	•	•
Textured Cabinet	•	•	•	•	•	•	•
Square Door Style	•	•	•	•	•	•	•
Exterior Dimensions — in. (cm)							
A — Height	60½ (153.7)	60 (152.4)	66½ (168.9)	66½ (168.9)	60½ (153.7)	66½ (168.9)	66½ (168.9)
B — Width	24 (61)	28 (71.1)	30 (76.2)	33 (83.8)	30 (76.2)	30 (76.2)	33 (83.8)
C — Overall Depth	27½ (69.7)	28½ (72.4)	28½ (71.9)	28½ (71.9)	28½ (71.9)	28½ (71.9)	28½ (71.9)
D — Depth With Door Open 90°	50½ (128.3)	56½ (143.5)	56½ (143.5)	59½ (151.1)	56½ (143.5)	56½ (143.5)	59½ (151.1)
Air Clearance — Sides And Top	3 (7.6)	3 (7.6)	3 (7.6)	3 (7.6)	3 (7.6)	3 (7.6)	3 (7.6)
Approximate Shipping Weight — lbs. (kg)	164 (74.4)	192 (87.1)	202/206 (91.6/93.4)	210 (95.3)	192 (87.1)	202/206 (91.6/93.4)	210 (95.3)
Electrical Requirements							
V/Hz	115/60	115/60	115/60	115/60	115/60	115/60	115/60
Commercial Rating				•	•	•	•

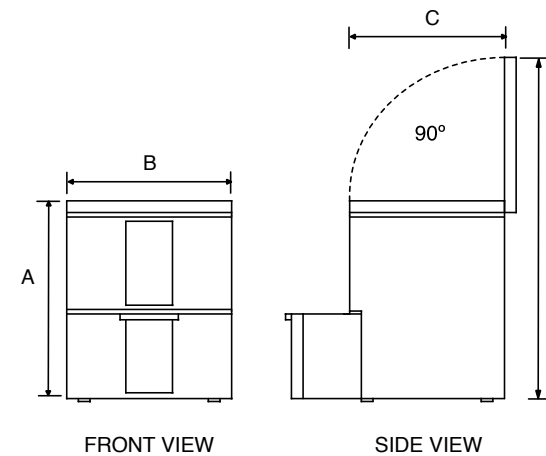


All models listed may not be available from every Amana dealer.
Amana's ongoing commitment to quality products may mean a change in product specifications without notice.

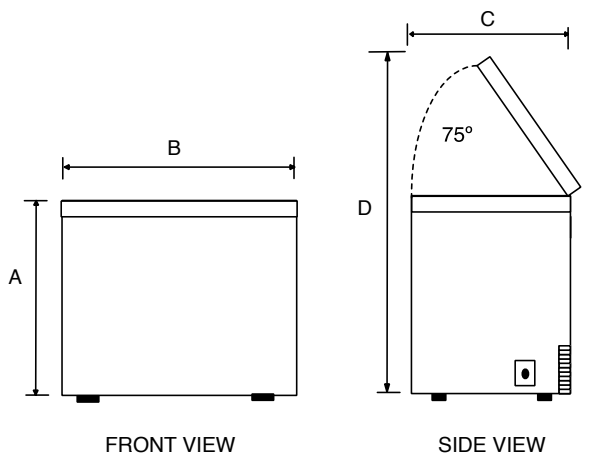
AMANA® DEEPFREEZE® CHEST FREEZERS

MODELS	AFC0507BW	AFC0503BW	AFC0703BW	AFC1005BW	AQC1526AEW	AFC2207BW
Color						
White	•	•	•	•	•	•
ENERGY STAR®-Qualified					•	
Deepfreeze® Freezer Interior						
Frozen Food Capacity — cu. ft. (cu. m)	4.6 (0.13)	5.0 (0.14)	7.0 (0.20)	10.0 (0.28)	14.8 (0.42)	21.7 (0.61)
Frozen Food Storage — lbs. (kg)	145 (65.8)	150 (68.0)	210 (95.3)	315 (142.9)	410 (186.0)	545 (247.2)
Defrost Type		Manual	Manual	Manual	Manual	Manual
Easy Find™ Storage Drawer	•					
EvenFreeze™ Food Preservation System	•	•	•	•	•	•
Adjustable Temperature Control	•	•	•	•	•	•
Removable Baskets	1	1	1	2	2	4
Basket Storage Levels	1	1			1	2
Power On Light	•	•	•	•		•
Interior Light					•	•
Lock With Key	•		•	•	•	•
Fast-Freeze Settings	•					
Defrost Drain		•	•	•	•	•
Hose Adapter		•			•	•
Seamless Interior Liner	•	•	•	•	•	•
Exterior Features						
Handle Type	Grip	Grip	Grip	Grip	Grip	Grip
Rollers	•					
Type Of Cabinet	Square	Square	Square	Square	Square	Square
Type Of Lid	Curved	Flat	Flat	Flat	Flat	Flat
Split-Top Design						•
Exterior Dimensions — in. (cm)						
A — Height Including Lid	33½ (86.0)	31½ (80.5)	35 (88.9)	35 (88.9)	35 (88.9)	35 (88.9)
B — Width	28½ (72.0)	29½ (74.6)	31½ (80.0)	42½ (107.2)	46½ (117.2)	64½ (164.8)
C — Overall Depth	26½ (67.5)	23½ (60)	24½ (61.1)	24½ (61.1)	29½ (74.6)	29½ (74.6)
D — Height With Lid Open 90° Or 75°	60½ (154.0)	55½ (141.0)	54½ (137.8)	54½ (137.8)	60½ (153.4)	60½ (153.4)
Air Clearance — Sides And Back	3 (7.6)	3 (7.6)	3 (7.6)	3 (7.6)	3 (7.6)	3 (7.6)
Approximate Shipping Weight — lbs. (kg)	110 (50.0)	95 (43.0)	115 (52.2)	136 (61.7)	164 (74.4)	220 (99.8)
Electrical Requirements						
V/Hz	115/60	115/60	115/60	115/60	115/60	115/60
Commercial Rating					•	•

AFC0507BW



AFC0503BW, AFC0703BW, AFC1005BW, AQC1526AEW, AFC2207BW



All models listed may not be available from every Amana dealer.
Amana's ongoing commitment to quality products may mean a change in product specifications without notice.



AMANA® FREESTANDING GAS RANGES

MODELS	5.3 CU. FT.		4.5 CU. FT.		
	AGR5725RD	AGR5825RD	AGR4400AD	AGR4412AD	AGR5712BD
Style	30" Gas	30" Gas	30" Gas	30" Gas	30" Gas
Colors					
White	•	•	•	•	•
Bisque	•			•	
Black	•	•			•
Silver Metallic					•
Stainless Steel	•	•			
Interior Features					
Overall Capacity — cu. ft.	5.3	5.3	4.5	4.5	4.5
Self-Cleaning Oven With Adjustable Cleaning Levels	•	•			•
Temp-Assure™ Preheat	•	•			•
TimeSavor™ Speed Cook With Auto Conversion		•			•
Hidden Bake Burner	•	•	•	•	•
Interior Oven Light	•	•	•	•	•
Oven Rack Positions	8	8	6	6	6
Standard Oven Racks	1	2	2	2	2
EasyRack™ Oven Rack (UXA5900AQX)	1	1			
Hi/Lo Broil	•	•			•
Storage Drawer	•	•			•
Exterior Features					
Smooth-Gloss Backguard	•	•	•	•	•
Removable Gloss Knobs	•	•	•	•	•
SpillSaver™ Upswept Cooktop Design	•	•	•	•	•
Heavy-Duty, High-Gloss, Cast-Iron Burner Grates	•	•			
Cast-Iron Grates				•	•
Heavy Steel Grates			•		
Lift-Off Burner Caps	•	•			
Sealed Surface Burners	•	•	•	•	•
LP Convertible/Kit Included	•	•	•	•	•
Extra-Large Oven Window	•	•			•
Controls					
Easy Touch Oven Controls	500	800		300	500
Electronic Clock With Timer	•	•			•
Temperature Display	•	•			•
Cook & Hold Setting	•	•			•
Favorite Setting		•			
Keep Warm Setting	•	•			•
Delay Setting	•	•			•
12-Hour Auto Shutoff	•	•			•
Control Lockout	•	•			•
Sabbath Mode	•	•			•
Cooktop Features					
Number Of Burners	4	4	4	4	4
16,000-/14,000-BTU Burner	RF	RF			
12,000-/8,500-BTU Burner			RF	RF	RF
9,200-/9,100-BTU Burners	LF, RR	LF, RR			
9,200-/8,000-BTU Burners			LF, RR	LF, RR	LF, RR
7,200-/6,500-BTU Burner			LR	LR	LR
5,000-/4,000-BTU Burner	LR	LR			

All models listed may not be available from every Amana dealer.

Amana's ongoing commitment to quality products may mean a change in product specifications without notice.



AMANA® FREESTANDING ELECTRIC RANGES

MODELS	5.1 CU. FT.			5.3 CU. FT.	4.3 CU. FT.		
	AER5511BA	AER5712BA	AER5722BA	AER5845RA	AER4111AA	AER4311AA	AER5710BA
Style	30" Coil	30" Radiant	30" Radiant	30" Radiant	30" Coil	30" Coil	30" Radiant
Colors							
White	•	•	•	•	•	•	
White With Black							•
Bisque	•		•				
Black	•	•	•	•			
Stainless Steel			•	•			
Silver Metallic		•					
Interior Features							
Overall Capacity — cu. ft.	5.1	5.1	5.1	5.3	4.3	4.3	4.3
Self-Cleaning Oven With Adjustable Cleaning Levels	•	•	•	•			•
Temp-Assure™ Preheat	•	•	•	•		•	•
TimeSavor™ Speed Cook With Auto Conversion				•			
Hidden Bake Element				•			
Interior Oven Light		•	•	•			
Oven Rack Positions	6	6	6	8	5	5	5
Standard Oven Racks	1	1	1	2	2	2	2
Offset Oven Racks	1	1	1				
EasyRack™ Oven Rack (UXA5900AQX)				1			
Hi/Lo Broil	•	•	•	•		•	•
Storage Drawer	•	•	•	•	•	•	•
Exterior Features							
Smooth-Gloss Backguard	•	•	•	•			
Porcelain Backguard					•	•	•
Removable Gloss Knobs	•	•	•	•	•	•	•
Porcelain-Steel Cooking Surface	•				•	•	
Glass-Ceramic Cooking Surface		•	•	•			•
SpillSaver™ Upswept Cooktop Design	•	•	•	•		•	•
Drip Bowls	Porcelain-Enamel				Chrome	Chrome	
Removable Coil Elements	•				•	•	
Controls							
Easy Touch Oven Controls	500	500	500	800		300	500
Electronic Clock With Timer	•	•	•	•		•	•
Cook & Hold Setting	•	•	•	•			•
Favorite Setting				•			
Keep Warm Setting	•	•	•	•			•
Delay Setting	•	•	•	•			•
12-Hour Auto Shutoff	•	•	•	•		•	•
Control Lockout	•	•	•	•		•	•
Sabbath Mode	•	•	•	•		•	•
Element ON/HOT Indicator Light		•	•	•			•
Cooktop Features							
Number Of Elements	4	4	5	5	4	4	4
6", 1,250-Watt Coil Elements					LF, RR		
6", 1,500-Watt Coil Elements	LF, RR					LF, RR	
8", 2,100-Watt Coil Elements					RF, LF		
8", 2,350-Watt Coil Elements	RF, LR					RF, LR	
6", 1,200-Watt Ribbon Radiant Elements		LF, RR	LR, RR	LR, RR			LF, RR
9", 2,500-Watt Ribbon Radiant Elements		RF, LR					RF, LR
9"/6", 2,400-/1,200-Watt Dual Elements			LF, RF	LF			
12", 2,700-Watt PowerBoost™ Element				RF			
6", 100-Watt Warming Zone™ Element			RC	RC			

All models listed may not be available from every Amana dealer.

Amana's ongoing commitment to quality products may mean a change in product specifications without notice.

AMANA® FREESTANDING GAS RANGES

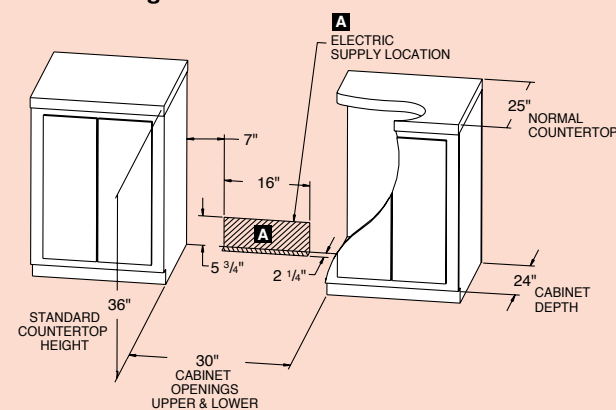
MODELS	5.3 CU. FT		4.5 CU. FT		
	AGR5725RD	AGR5825RD	AGR4400AD	AGR4412AD	AGR5712BD
Exterior Dimensions — in. (cm)					
Overall Height	47 $\frac{1}{2}$ (120.3)	47 $\frac{1}{2}$ (120.3)	46 $\frac{1}{2}$ (118.7)	46 $\frac{1}{2}$ (118.7)	46 $\frac{1}{2}$ (118.7)
Overall Width	29 $\frac{1}{2}$ (75.9)	29 $\frac{1}{2}$ (75.9)	29 $\frac{1}{2}$ (75.9)	29 $\frac{1}{2}$ (75.9)	29 $\frac{1}{2}$ (75.9)
Depth Excluding Handle	26 $\frac{1}{2}$ (67.6)	26 $\frac{1}{2}$ (67.6)	25 (63.5)	25 (63.5)	25 (63.5)
Depth Including Handle	29 (73.7)	29 (73.7)	27 (68.1)	27 (68.1)	27 (68.1)
Height To Cooktop	36 (91.4)	36 (91.4)	36 (91.4)	36 (91.4)	36 (91.4)
Approximate Shipping Weight — lbs. (kg)	225	225	230	230	230
Total Connected Load — kw @ 120V	10A Or Less	10A Or Less	10A Or Less	10A Or Less	10A Or Less

AMANA® FREESTANDING ELECTRIC RANGES

MODELS	5.1 CU. FT			5.3 CU. FT.	4.3 CU. FT.		
	AER5511BA	AER5712BA	AER5722BA	AER5845RA	AER4111AA	AER4311AA	AER5710BA
Exterior Dimensions — in. (cm)							
Overall Height	46 $\frac{1}{2}$ (118.7)	47 $\frac{1}{2}$ (120.3)	47 $\frac{1}{2}$ (120.3)	47 $\frac{1}{2}$ (120.3)	46 $\frac{1}{2}$ (118.7)	46 $\frac{1}{2}$ (118.7)	47 $\frac{1}{2}$ (120.3)
Overall Width	29 $\frac{1}{2}$ (75.9)	29 $\frac{1}{2}$ (75.9)	29 $\frac{1}{2}$ (75.9)	29 $\frac{1}{2}$ (75.9)	29 $\frac{1}{2}$ (75.9)	29 $\frac{1}{2}$ (75.9)	29 $\frac{1}{2}$ (75.9)
Depth Excluding Handle	25 (63.5)	26 $\frac{1}{2}$ (67.6)	26 $\frac{1}{2}$ (67.6)	26 $\frac{1}{2}$ (67.6)	25 (63.5)	25 (63.5)	26 $\frac{1}{2}$ (67.6)
Depth Including Handle	27 (68.1)	29 (73.7)	29 (73.7)	29 (73.7)	27 (68.1)	27 (68.1)	29 (73.7)
Height To Cooktop	36 (91.4)	36 (91.4)	36 (91.4)	36 (91.4)	36 (91.4)	36 (91.4)	36 (91.4)
Approximate Shipping Weight — lbs. (kg)	215 (97.5)	215 (97.5)	215 (97.5)	215 (97.5)	215 (97.5)	215 (97.5)	215 (97.5)
Total Connected Load — kw @ 240V/208V	10.7/8.0	10.7/8.0	10.9/8.2	10.9/8.2	9.7/7.3	10.7/8.0	10.7/8.0

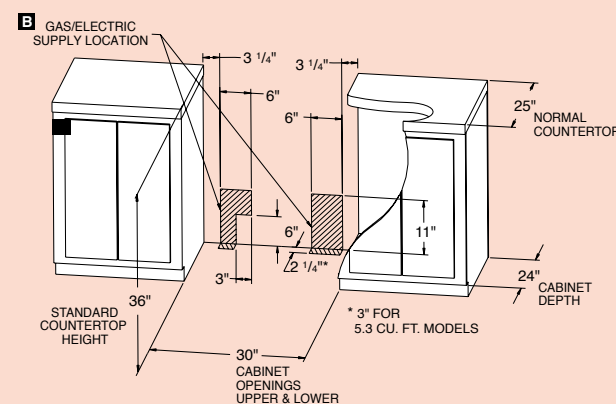
Freestanding Range Installation

Electric Range Installation



A Electric Models: Provide for 120/208-, 120/240-volt outlet per applicable cord in this area.

Gas Range Installation



B Gas Models: Recommended gas line location (electric ignition models). Provide for 120-volt grounded electrical outlet in this area. Outlet must be flush.

All dimensions shown are for planning purposes only. Consult the installation instructions that accompany each product before cutting cabinets or countertops. All Amana® ranges are UL-, AGA-, CSA- or CGA-approved. All models listed may not be available from every Amana dealer.

Amana's ongoing commitment to quality products may mean a change in product specifications without notice.

AMANA® SLIDE-IN ELECTRIC RANGES

MODELS	AES1350BA	AES3540BA	AES3760BA	AES5730BA
Style	30" Coil	30" Coil	30" Radiant	30" Radiant
Colors				
White	•	•	•	
Frost White*				•
Bisque			•	
Natural Bisque*				•
Black			•	•
Stainless Steel			•	•
Interior Features				
Overall Capacity — cu. ft.	4.3	4.3	4.3	4.5
Self-Cleaning Oven		•	•	•
Hidden Bake Element				•
Interior Oven Light	Manual	Manual	Manual	Automatic
Oven Rack Positions	5	5	5	5
Standard Oven Racks	2	2	2	1
EasyRack™ Oven Rack (UXAS900AQX)				1
Storage Drawer	•	•	•	•
Exterior Features				
Removable Glass Knobs	•	•	•	•
Porcelain-Steel Cooking Surface	•	•		
Glass-Ceramic Cooking Surface			•	•
Spillsaver™ Upswept Cooktop Design	•	•	•	•
Drip Bowls	Chrome	Porcelain-Enamel		
Removable Coil Elements	•	•		
Oven Window	Large	Large	Extra-Large	Extra-Large
Controls				
Easy Touch Oven Controls	500	500	700	800
Electronic Clock With Timer	•	•	•	•
Cook & Hold Setting	•	•	•	•
Favorite Setting			•	•
Keep Warm Setting	•	•	•	•
Delay Cook	•	•	•	•
12-Hour Auto Shutoff	•	•	•	•
Control Lockout	•	•	•	•
Sabbath Mode	•	•	•	•
Element ON/HOT Indicator Light		•	•	•
Cooktop Features				
Number Of Elements	4	4	4	5
6", 1,500-Watt Coil Elements	LF, RR	LF, RR		
8", 2,350-Watt Coil Elements	RF, LR	RF, LR		
6", 1,200-Watt Ribbon Radiant Elements			LF, RR	RR, LR
9", 2,500-Watt Ribbon Radiant Elements			RF, LR	
9" / 6", 2,400- / 1,000-Watt Dual Elements				RF, LF
6", 100-Watt Warming Zone™ Element				Center Rear
Exterior Dimensions — in. (cm)				
Overall Height	36 $\frac{1}{2}$ (92.5)	36 $\frac{1}{2}$ (92.5)	36 $\frac{1}{2}$ (92.5)	36 $\frac{1}{2}$ (92.5)
Overall Width	30 $\frac{1}{2}$ (78.1)	30 $\frac{1}{2}$ (78.1)	30 $\frac{1}{2}$ (78.1)	30 $\frac{1}{2}$ (78.1)
Depth Including Handle	28 $\frac{1}{2}$ (71.9)	28 $\frac{1}{2}$ (71.9)	28 $\frac{1}{2}$ (71.9)	28 $\frac{1}{2}$ (71.9)
Height To Cooktop	36 (91.4)	36 (91.4)	36 (91.4)	36 (91.4)
Approximate Shipping Weight — lbs. (kg)	195 (88)	195 (88)	195 (88)	195 (88)
Total Connected Load — kw @ 240V/208V	9.7/7.3	11.3/8.5	11.3/8.5	11.3/8.4

Controls

Easy Touch Oven Controls	500	500	700	800
Electronic Clock With Timer	•	•	•	•
Cook & Hold Setting	•	•	•	•
Favorite Setting			•	•
Keep Warm Setting	•	•	•	•
Delay Cook	•	•	•	•
12-Hour Auto Shutoff	•	•	•	•
Control Lockout	•	•	•	•
Sabbath Mode	•	•	•	•
Element ON/HOT Indicator Light		•	•	•

Cooktop Features

Number Of Elements	4	4	4	5
6", 1,500-Watt Coil Elements	LF, RR	LF, RR		
8", 2,350-Watt Coil Elements	RF, LR	RF, LR		
6", 1,200-Watt Ribbon Radiant Elements			LF, RR	RR, LR
9", 2,500-Watt Ribbon Radiant Elements			RF, LR	
9" / 6", 2,400- / 1,000-Watt Dual Elements				RF, LF
6", 100-Watt Warming Zone™ Element				Center Rear

Exterior Dimensions — in. (cm)

Overall Height	36 $\frac{1}{2}$ (92.5)	36 $\frac{1}{2}$ (92.5)	36 $\frac{1}{2}$ (92.5)	36 $\frac{1}{2}$ (92.5)
Overall Width	30 $\frac{1}{2}$ (78.1)	30 $\frac{1}{2}$ (78.1)	30 $\frac{1}{2}$ (78.1)	30 $\frac{1}{2}$ (78.1)
Depth Including Handle	28 $\frac{1}{2}$ (71.9)	28 $\frac{1}{2}$ (71.9)	28 $\frac{1}{2}$ (71.9)	28 $\frac{1}{2}$ (71.9)
Height To Cooktop	36 (91.4)	36 (91.4)	36 (91.4)	36 (91.4)
Approximate Shipping Weight — lbs. (kg)	195 (88)	195 (88)	195 (88)	195 (88)
Total Connected Load — kw @ 240V/208V	9.7/7.3	11.3/8.5	11.3/8.5	11.3/8.4

*Frost White (F) and Natural Bisque (N) models feature true-color cooktop surfaces.

Amana's ongoing commitment to quality products may mean a change in product specifications without notice.

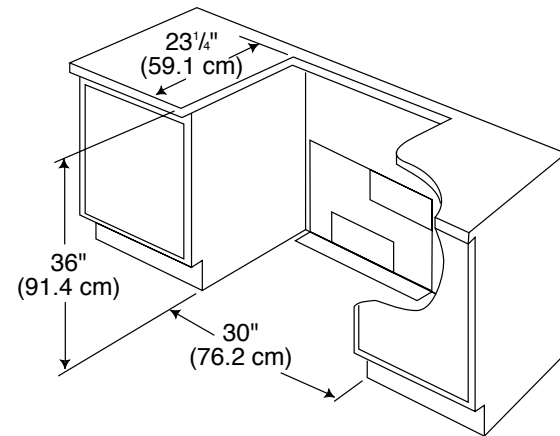
AMANA® SLIDE-IN GAS RANGES

MODELS	AGS1740BD	AGS3760BD	AGS5730BD
Style	30" Gas	30" Gas	30" Gas
Colors			
White	•	•	•
Bisque	•	•	•
Black		•	•
Stainless Steel		•	•
Interior Features			
Overall Capacity — cu. ft.	4.5	4.5	4.5
Self-Cleaning Oven		•	•
Interior Oven Light	Manual	Manual	Automatic
Oven Rack Positions	5	5	5
Standard Oven Racks	2	2	1
Storage Drawer	•	•	•
EasyRack™ Oven Rack (UXA5900AQX)			1
Exterior Features			
Removable Gloss Knobs	•	•	•
SpillSaver™ Upswept Cooktop Design	•	•	•
Heavy-Duty, High-Gloss, Cast-Iron Burner Grates	Four-Piece	Four-Piece	Two-Piece
Trivet Grate			•
Sealed-Surface Burners With Lift-Off Burner Caps	•	•	•
LP Convertible/Kit Included	7507P405-60	7507P405-60	7507P405-60
Oven Window	Large	Extra-Large	Extra-Large
Controls			
Easy Touch Oven Controls	500	700	800
Electronic Clock With Timer	•	•	•
Cook & Hold Setting	•	•	•
Favorite Setting		•	•
Keep Warm Setting	•	•	•
Delay Setting	•	•	•
12-Hour Auto Shutoff	•	•	•
Control Lockout	•	•	•
Sabbath Mode	•	•	•
Cooktop BTUs			
Number Of Burners	4	4	4
16,000-/14,000-BTU Burner			RF
12,000-/11,000-BTU Burner	RF	RF	
9,200-/9,100-BTU Burners	LF, RR	LF, RR	LF, RR
5,000-/4,000-BTU Burner	LR	LR	LR
Exterior Dimensions — in. (cm)			
Overall Height	36 ¹ / ₈ (92.5)	36 ¹ / ₈ (92.5)	36 ¹ / ₈ (92.5)
Overall Width	30 ³ / ₄ (78.1)	30 ³ / ₄ (78.1)	30 ³ / ₄ (78.1)
Depth Including Handle	28 ¹ / ₈ (71.9)	28 ¹ / ₈ (71.9)	28 ¹ / ₈ (71.9)
Height To Cooktop	36 (91.4)	36 (91.4)	36 (91.4)
Approximate Shipping Weight — lbs. (kg)	228 (108)	228 (108)	228 (108)
Total Connected Load — kw @ 120V	10A Or Less	10A Or Less	10A Or Less

All models listed may not be available from every Amana dealer.

Amana's ongoing commitment to quality products may mean a change in product specifications without notice.

INSTALLATION INFORMATION



AMANA® ELECTRIC WALL OVENS

MODELS	AEW3530DD	AEW4530DD	AEW3630DD	AEW4630DD
Style	30" Single Electric	30" Single Electric Convection	30" Double Electric	30" Double Electric Convection
Colors				
White	•	•	•	•
Black	•	•	•	•
Stainless Steel	•	•	•	•
Oven Capacity — cu. ft.				
Upper	3.8	3.8	3.8	3.8
Lower			3.8	3.8
Interior Features				
Easy-Use Convection With Auto Conversion		•		Upper
Adjustable Self-Cleaning Oven With Auto Door Lock	•	•	Upper/Lower	Upper/Lower
Six-Pass Broiler	•	•	•	•
Automatic Oven Light	•	•	•	•
Large Viewing Window	•	•	•	•
Porcelain Broiler Pan	•	•	•	•
Rack Positions	4	4	4	4
Oven Racks — Upper	2	3	2	3
Oven Racks — Lower			2	2
Controls				
Easy Touch Controls	•	•	•	•
Electronic Clock With Timer	•	•	•	•
Favorite Setting	•	•	•	•
Cook & Hold Setting	•	•	Upper Only	Upper Only
Delay-Clean Option	•	•	•	•
Sabbath Mode	•	•	•	•
Control Lockout	•	•	•	•
Oven Wattage @ 240V				
Easy-Use Convection		1,850		1,850
Bake	2,800	2,800	2,800	2,800
Six-Pass Broiler	3,600	3,600	3,600	3,600
Interior Dimensions — in. (cm)				
Height	15 (38.1)	15 (38.1)	15 (38.1)	15 (38.1)
Width	23 ¹ / ₂ (59.7)	23 ¹ / ₂ (59.7)	23 ¹ / ₂ (59.7)	23 ¹ / ₂ (59.7)
Depth	18 ¹ / ₂ (47)	18 ¹ / ₂ (47)	18 ¹ / ₂ (47)	18 ¹ / ₂ (47)
Exterior Dimensions — in. (cm)				
Size	30 (76.2)	30 (76.2)	30 (76.2)	30 (76.2)
A — Overall Height	28 ¹ / ₈ (71.8)	28 ¹ / ₈ (71.8)	50 ¹ / ₂ (127.6)	50 ¹ / ₂ (127.6)
B — Overall Width	29 ¹ / ₄ (75.6)	29 ¹ / ₄ (75.6)	29 ¹ / ₄ (75.6)	29 ¹ / ₄ (75.6)
C — Overall Depth	24 ¹ / ₈ (62.1)	24 ¹ / ₈ (62.1)	24 ¹ / ₈ (62.1)	24 ¹ / ₈ (62.1)
D — Cutout Height	27 ¹ / ₈ (70.8)	27 ¹ / ₈ (70.8)	50 (127.0)	50 (127.0)
E — Cutout Width	28 ¹ / ₈ (72.4)	28 ¹ / ₈ (72.4)	28 ¹ / ₈ (72.4)	28 ¹ / ₈ (72.4)
F — Cutout Depth	24 (61.0)	24 (61.0)	24 (61.0)	24 (61.0)
Under-Counter/Cooktop Installation				
Total Connected Load — kw @ 240V/208V	3.6/2.7	3.6/2.7	7.2/5.4	7.2/5.4
Approximate Shipping Weight — lbs. (kg)	140 (63)	140 (63)	235 (106)	235 (106)

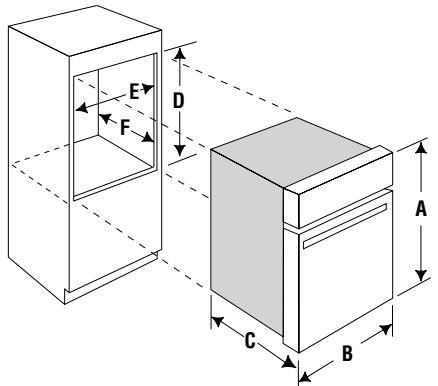
All models listed may not be available from every Amana dealer.

Amana's ongoing commitment to quality products may mean a change in product specifications without notice.

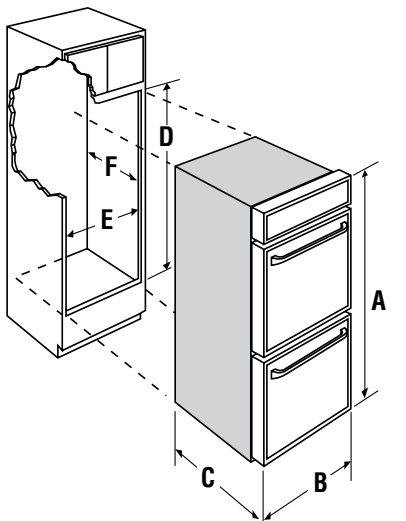
INSTALLATION INFORMATION

Typical clearance from floor when installing in wall is 35" (89 cm). For single wall oven under-counter installation with a cooktop, refer to cooktop installation instructions. Distance from countertop to bottom of cutout must be 31 1/4" (80.7 cm). Stacked installation [3" (7.6 cm) min. between cutouts] and side-by-side installation [1 3/4" (4.5 cm) min. between cutouts] is also possible.

Single Wall Oven



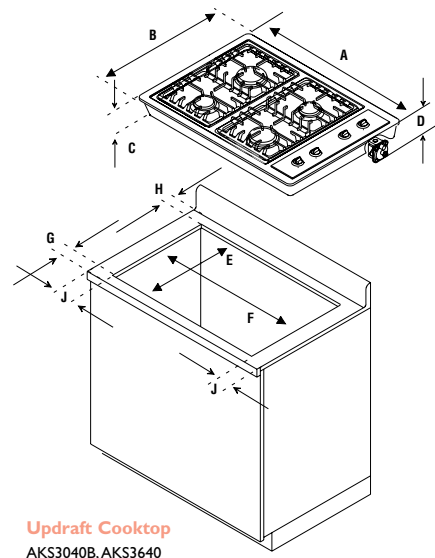
Double Wall Oven



AMANA® GAS COOKTOPS

MODELS	AKS3040B	AKS3640
Style	30" Sealed Gas Burner	36" Sealed Gas Burner
Colors		
White	•	•
Black	•	•
Stainless Steel	•	•
Installation		
Installs Over 30" Amana® Wall Oven	•	•
Countertop/Island/Peninsula Installation	•	•
Right- Or Left-Hand Installation	•	
Burners		
Upfront Controls		•
Sealed Burners With Spark Ignition	4	5
Removable Burner Caps	•	•
One-Piece Cast-Iron Burner Grates	2	3
Grate Color		
White Model	Gray Gloss	Gray Gloss
Bisque Model	Taupe Gloss	Taupe Gloss
Black Model	Black Matte	Black Matte
Stainless Steel Model	Black Matte	Black Matte
Burner BTUs (Nat./LP)		
Left Front	9,200/9,100	9,200/9,100
Right Front	12,500/10,500	12,500/10,500
Left Rear	5,000/4,000	10,500/9,100
Right Rear	9,200/9,100	9,200/9,100
Center		9,200/9,100
650-BTU Simmer Setting	• (LR)	
Exterior Dimensions — in. (cm)		
A — Width	29½ (74.9)	36 (91.4)
B — Depth	21½ (54.6)	21 (53.3)
C — Top Of Cooktop To Bottom Of Burner Box	5½ (13.0)	5½ (13.7)
Cutout Dimensions — in. (cm)		
D — Top Of Counter To Bottom Of Regulator	7¼ (18.4)	7¼ (18.4)
Overall Height Of Burner Box	3¾ (9.7)	3¾ (9.7)
E — Cutout Depth	19¼ (50.6)	19¼ (50.6)
F — Cutout Width	28½ (72.4)	34½ (87.6)
G — Front Countertop Clearance	2¼ (5.4) min.	2¼ (5.4) min.
H — Back Countertop Clearance	1 (2.5) min.	1 (2.5) min.
J — Side Clearance (Each Side)	6 (15.2) min.	6 (15.2) min.

INSTALLATION INFORMATION



Updraft Cooktop
AKS3040B, AKS3640

All models listed may not be available from every Amana dealer.

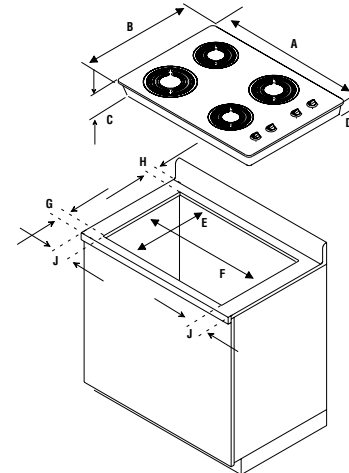
Amana's ongoing commitment to quality products may mean a change in product specifications without notice.

AMANA® ELECTRIC COOKTOPS

MODELS	AKT3040	AKT3650
Style	30" Electric Radiant Smoothtop	36" Electric Radiant Smoothtop
Colors		
Frost White	•	•
True Black	•	•
Black With Stainless Steel Trim	•	•
Installation		
Installs Over 30" Amana® Wall Oven	•	•
Countertop/Island/Peninsula Installation	•	•
Right- Or Left-Hand Installation	•	•
Cooktop Surface		
	Glass-Ceramic	Glass-Ceramic
Controls		
Power ON Indicator Lights	2	2
Hot-Surface Indicator Lights	4	5
Element Wattage @ 240V		
6" Ribbon Radiant	1,200 (LR)	1,200 (LR)
7" Ribbon Radiant	1,500 (RF)	1,500 (RF)
8" Ribbon Radiant	2,000 (RR)	2,000 (RR)
9"½" Dual Ribbon Radiant	2,500/1,000 (LF)	2,500/1,000 (LF)
Warming Zone™ Element		100 (C)
Exterior Dimensions — in. (cm)		
A — Width	29½ (75.1)	35½ (90.8)
B — Depth	21½ (54.6)	21½ (54.6)
C — Total Product Depth	3¼ (7.9)	3¼ (7.9)
Cutout Dimensions — in. (cm)		
Overall Height Of Burner Box	2¼ (7.3)	2¼ (7.3)
D — Clearance Below Countertop	4¼ (11.4)	4¼ (11.4)
E — Cutout Depth	20¼ (52.7)	20¼ (52.7)
F — Cutout Width	28½ (73.3)	34½ (86.7)
G — Front Countertop Clearance	2¼ (6.4) min.	2¼ (6.4) min.
H — Back Countertop Clearance	½ (1.3) min.	½ (1.3) min.
J — Side Clearance (Each Side)	½ (1.3) min.	½ (1.3) min.
Total Connected Load — kw @ 240V/208V	7.2/5.4	7.3/5.5

INSTALLATION INFORMATION

Updraft Cooktop
AKT3040, AKT3650



Allow 30" between cooking surface and unprotected wood or metal cabinet above cooktop; 24" between cooking surface and protected wood or metal cabinet above cooktop. Cabinet bottom must be protected by at least ¼" thick millboard with not less than No. 28 MSG sheet steel, .015" thick stainless steel, .024" thick.

Refer to installation instructions packaged with unit or consult your local Amana representative before making any cutouts or final designs.

All models listed may not be available from every Amana dealer.

Amana's ongoing commitment to quality products may mean a change in product specifications without notice.



AMANA® RADARANGE® COUNTERTOP MICROWAVE OVENS

MODELS	AMC4080AA	AMC5101AA	AMC5108AA	AMC5143AA	ACM1580AA	ACM2160AA	AMC6138AA
Style	Microwave	Microwave	Three-In-One™ Toaster Microwave	Microwave	Microwave/Convection	Microwave	Microwave/Convection
Colors							
White	•	•	•	•	•	•	•
Bisque				•	•	•	
Black	•	•	•	•	•	•	•
Stainless Steel		•		•	•	•	•
Features							
Capacity — cu. ft.	0.8	1.0	1.0	1.4	1.5	2.1	1.3
Wattage	800	1,000	1,000	1,100	1,000	1,100	950
Turntable	•	•	•	•	•	•	•
10 Power Levels	•	•	•	•	•	•	•
Touchmatic® Control System	•	•	•	•	•	•	•
Digital Clock	12-Hour	12-Hour	12-Hour	24-Hour	12-Hour	24-Hour	24-Hour
Sound On/Off		•	•	Low/Mid/Hi/Melody/Off			Low/Mid/Hi/Off
Kitchen Timer		•	•		•	•	•
Program Cooking Stages			Multi	Multi	•	3	Multi
More/Less Adjust		•	•	•	•	•	•
Easy Cook™ Pad					•	•	
Broil/Top Brown/Bake			•				
Warm			•		•	•	
Preheat			•				•
Speed Cook			•				
Toaster With Toasting Rack (Adjustable Dial)			7 Levels				
Auto Defrost	•	•	•	•	•	•	•
Auto Broil, Roast, Bake							•
Convection/Combination (Roast/Bake)					•		•
Control Lockout		•	•	•	•	•	•
Interior Oven Light	•	•	•	•	•	•	•
Cooking Complete Reminder	•	•	•	•	•	•	•
Under-Cabinet Installation	•						
In-Wall Trim Kit				UXA0024AX**	AST2780A/ AST3080A	FTK127, FTK130	
Programmed Pads							
Popcorn	•	•	•	Sensor	Sensor	Sensor	•
Potato	•	•	•	Sensor			•
Beverage	•	•					
Pizza	•	•	•	Sensor			
Bacon		•					
Fresh Vegetable	•			Sensor		Sensor	•
Frozen Vegetable				Sensor		Sensor	
Frozen Breakfast				Sensor			
Frozen Dinner	•	•		Sensor		Sensor	•
Handy Helper		3-Option	3-Option	3-Option			
Kids' Meals		4-Option	4-Option	4-Option			
Snack Bar		4-Option	4-Option	4-Option			
Diet Cook							•
Auto Reheat		•		Sensor		Sensor	•
Easy Clean			•				
Lbs./Kg Option		•	•	•			•
Exterior Dimensions — in. (cm)							
Height	10 ³ / ₁₆ (27.5)	11 ¹ / ₁₆ (29.7)	13 ³ / ₄ (35.0)	12 ⁵ / ₁₆ (31.3)	14 ¹ / ₈ (37.2)	13 ³ / ₁₆ (34.4)	12 ³ / ₄ (32.3)
Width	19 ¹ / ₄ (48.9)	20 ¹ / ₈ (51.6)	20 ³ / ₄ (52.8)	21 ¹ / ₈ (55.6)	22 ³ / ₈ (56.6)	23 ³ / ₈ (60.6)	21 ¹ / ₈ (55.7)
Depth	13 ³ / ₈ (35.2)	14 ⁹ / ₁₆ (37.9)	19 ¹ / ₂ (49.6)	17 ¹ / ₄ (43.9)	20 (50.8)	18 ¹ / ₂ (47.7)	21 ¹ / ₈ (54.5)
Stainless Steel Depth		16 ¹ / ₂ (41.9)		18 ³ / ₈ (46.5)	?	?	21 ¹ / ₈ (54.5)
Interior Dimensions — in. (cm)							
Height — Turntable In Place, If Applicable	7 ¹ / ₁₆ (20.2)	9 ¹ / ₁₆ (23.2)	9 ¹ / ₁₆ (23.9)	9 ³ / ₁₆ (24.9)	10 ¹ / ₈ (27.6)	10 ¹ / ₈ (27.6)	9 ¹ / ₁₆ (23.3)
Width	13 (33.0)	13 ¹ / ₂ (33.6)	13 ¹ / ₂ (34.3)	14 ¹ / ₄ (37.5)	15 ¹ / ₄ (38.7)	17 ¹ / ₂ (44.5)	14 ¹ / ₄ (36.8)
Depth	13 (33.0)	13 ¹ / ₁₆ (34.8)	13 ³ / ₁₆ (34.4)	16 ¹ / ₁₆ (40.8)	15 ¹ / ₄ (38.7)	18 ¹ / ₁₆ (47.1)	15 ³ / ₈ (39.1)

*Easy Cook™ Function — Each push adds 30 seconds up to 3 1/2 minutes, then each push adds 1 minute up to 99 minutes.

**Do not install above wall oven. See page 59 for trim kit information.



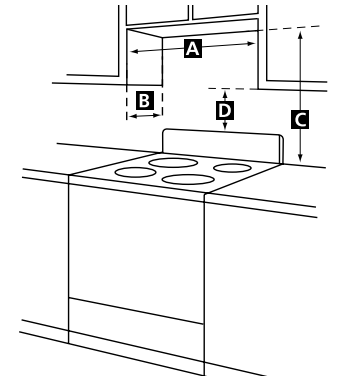
AMANA® RADARANGE® OVER-THE-RANGE MICROWAVE OVENS

MODELS	AMV1162AA	AMV5164AA	AMV4204AA	AMV5206AA	AMV6177AA
Colors					
White	•	•	•	•	•
Bisque	•	•	•	•	•
Black	•	•	•	•	•
Stainless Steel	•	•		•	•
Features					
Capacity — cu. ft.	1.5	1.6	2.0	2.0	1.7
Wattage	1,000	1,000	1,150	1,150	950
Turntable	•	•	•	•	•
Turntable On/Off		•	•	•	•
Wire Racks		1	1	1	2
Word-Prompt Display	4-Digit LED	Scrolling 7-Digit	Scrolling 2-Line	Scrolling 2-Line	Scrolling 2-Line
Digital Clock	12-Hour	12-Hour	12-Hour	12-Hour	12-Hour
Kitchen Timer	•	•	•	•	•
Light Timer Delay Option		•	•	•	•
Interior Oven Light	•	•	•	•	Halogen
Surface Lights	Hi/Low/Off	Hi/Low/Off	Hi/Low/Off	Halogen	Halogen
Control Lockout	•	•	•	•	•
Cooking Complete Reminder	•	•	•	•	•
Control Setup		•	•	•	•
Touchmatic® Control System	•	•	•	•	•
10 Power Levels	•	•	•	•	•
Program Cooking Stages	3	4	4	4	3
Custom Program	•	•	•	•	•
More/Less Adjust		•	•	•	•
Warm/Hold		•	•	•	•
Convection Cook — Variable Temperatures					•
Combination Speed Cook					Auto
Soften			•	•	•
Melt			•	•	•
Auto Defrost	•	•	•	•	•
Time Defrost	•	•	•	•	•
Rapid Defrost (1 Lb.)		•	•	•	•
Charcoal Odor Filter	•	•	•	•	•
Vent Fan	2-Speed	2-Speed	2-Speed	5-Speed	5-Speed
Exhaust (Max.)	220 CFM	220 CFM	220 CFM	300 CFM	220 CFM
Programmed Pads					
Popcorn	•	Sensor	•	Sensor	•
Baked Potato	•	Sensor	•	Sensor	Sensor
Pizza Slice	•	Sensor			
Frozen Entrée	•			Sensor	
Beverage	•		•		
Vegetable		Sensor		Sensor	Sensor
Auto Reheat	4 Options		5 Options		
Auto Cook	4 Options		8 Options		6 Options
Sensor Cook		3 Options		7 Options	6 Options
Sensor Reheat		3 Options		4 Options	4 Options
Exterior Dimensions — in. (cm)					
Height	16 ¹ / ₁₆ (41.8)	16 ¹ / ₁₆ (41.8)	16 ¹ / ₁₆ (41.8)	16 ¹ / ₁₆ (41.8)	16 ¹ / ₁₆ (41.8)
Width	29 ¹ / ₈ (75.9)/29 ¹ / ₈ (76.0)	29 ¹ / ₈ (74.5)	29 ¹ / ₈ (74.5)	29 ¹ / ₈ (74.5)	29 ¹ / ₈ (74.5)
Depth — Oven Door Closed With Handle	15 ¹ / ₂ (38.4)/15 ¹ / ₂ (39.1)	15 ¹ / ₂ (39.1)	15 ¹ / ₂ (39.1)	15 ¹ / ₂ (39.1)	15 ¹ / ₂ (39.1)
Cabinet Cutout Dimensions — in. (cm)					
Width	30 (76.2) min.	30 (76.2) min.	30 (76.2) min.	30 (76.2) min.	30 (76.2) min.
Top Edge From Cooking Surface	30 (76.2) min.	30 (76.2) min.	30 (76.2) min.	30 (76.2) min.	30 (76.2) min.
Opening Depth	13 (33.0)	13 (33.0)	13 (33.0)	13 (33.0)	13 (33.0)
Interior Dimensions — in. (cm)					
Height — Turntable In Place, If Applicable	8 ¹ / ₈ (22.5)/8 ¹ / ₈ (22.4)	8 ¹ / ₈ (22.4)	10 ¹ / ₈ (26.0)	10 ¹ / ₈ (26.0)	9 ¹ / ₈ (23.9)
Width	21 ¹ / ₈ (54.8)/21 ¹ / ₈ (55.1)	21 ¹ / ₈ (55.1)	22 ¹ / ₈ (58.1)	22 ¹ / ₈ (58.1)	21 ¹ / ₈ (54.9)
Depth	14 ¹ / ₄ (35.9)/14 ¹ / ₄ (36.0)	14 ¹ / ₄ (36.0)	14 ¹ / ₄ (36.5)	14 ¹ / ₄ (36.5)	14 ¹ / ₄ (36.2)

All models listed may not be available from every Amana dealer.

Amana's ongoing commitment to quality products may mean a change in product specifications without notice.

INSTALLATION INFORMATION



Cutout Dimensions

- A. Opening Width: 30" (76.2 cm) min.
- B. Opening Depth: 13" (33 cm) min.
- C. Counter to Top of Opening: 30" (76.2 cm) min.
- D. Range Backguard to Bottom of Microwave: 2" (5.1 cm) min.

Refer to installation instructions packaged with unit or consult your local Amana representative before making any cutouts or final designs.

TRIM KIT INFORMATION



Shown: ACM1580AAS With Trim Kit

Trim Kits For Built-In ACM2160AA:

Kits: FTK127 W/E/SS in 27", FTK130 W/E/C/SS in 30"

Cutout Dimensions — in. (cm):

- A. Width 25 1/2 (64.8) 25 1/2 (64.8)
- B. Microwave Height 16 1/2 (42.6) 16 1/2 (42.6)
- C. Depth 23 3/4 (60.3) 23 3/4 (60.3)
- D. Lower Oven Height 30 3/4 (70.8) 30 3/4 (70.8) min.

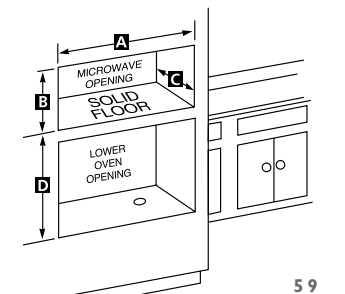
Trim Kits For Built-In ACM1580AA:

Kits: AST2780A B/W/C/S in 27",

AST3080A B/W/C/S in 30"

Cutout Dimensions — in. (cm):

- A. Width 25 1/2 (64.8) 28 1/2 (72.4)
- B. Height 17 1/2 (43.8) 17 1/2 (43.8)
- C. Depth 23 3/4 (60.3) 23 3/4 (60.3)
- D. Lower Oven Height 30 3/4 (70.8) 30 3/4 (70.8) min.



AMANA® KITCHEN HOODS

MODELS	UXT2030A UXT2036A	UXT3030A UXT3036A	UXT4030A UXT4036A	UXT5230AD UXT5236A	UXT5430AD UXT5436A
Colors					
White	•	•	•	•	•
Bisque	•	•	•	•	•
Black	•	•	•	•	•
Stainless Steel	•	•	•	•	•
Controls					
Electronic Touch Controls					•
Slide Controls				•	
Delayed Shutoff					•
Speed Settings	2	2	2	3	3
Halogen Lighting					•
Incandescent Lighting				•	
Lighting Levels	1	1	1	2	2
Ventilation					
Filterless Self-Cleaning, Three-Way Convertible Ventilation				•	•
Vertical Ventilation On 7" Round Duct	•				
Vertical Or Horizontal Ventilation On 3 1/4" x 10" Duct		•			
Ductless Ventilation With Charcoal Filter			•	Optional*	Optional*
Rating — cfm	190	160	N.A.	300	400

*Order HRECUXT30 for 30" models and HRECUXT36 for 36" models. Order replacement carbon filter HCFLTUXT36 for Models UXT5236 and UXT5436 or replacement carbon filter HCFLTUXT30 for Models UXT5230 and UXT5430.

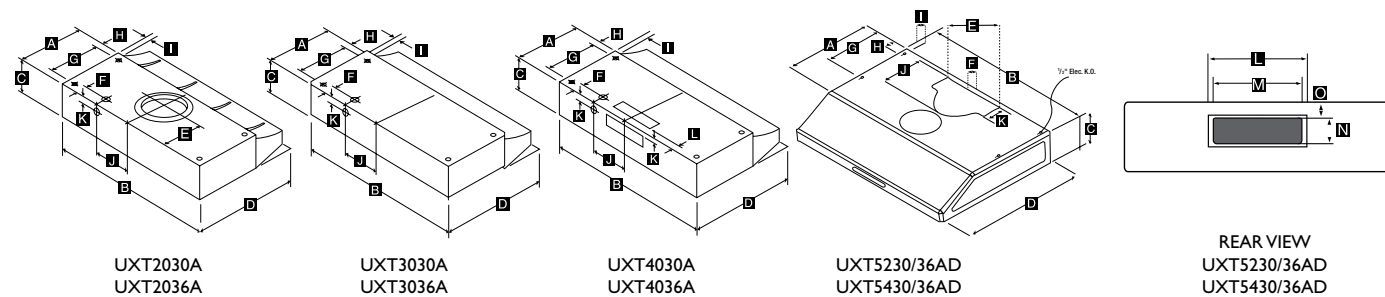
TELESCOPING DOWNDRAFT HOODS

MODELS	HV303	HV363
Colors		
Black	•	•
Optional White Cap	WC303	WC363
Controls		
Electronic Touch Telescoping Operation	•	•
Ventilation		
Washable Grease Filters	2	2
Vertical Or Horizontal Exterior Venting	•	•
Variable-Speed Fan	•	•
Rating — cfm	500	500
Height — in. (cm)	29 1/2 (74.9)	29 1/2 (74.9)
Width — in. (cm)	30 (76.2)	36 (91.4)
Depth — in. (cm)	7 (17.8)	7 (17.8)
Approximate Shipping Weight — lbs. (kg)	53 (24)	58 (26)

Kitchen Hood Dimensions — in. (cm)

MODELS	UXT2030A UXT3030A UXT4030A	UXT5230AD UXT5430AD	UXT2036A UXT3036A UXT4036A	UXT5236A UXT5436A
A	12 (30.5)	15 1/2 (39.7)	12 (30.5)	15 1/2 (39.7)
B — Width	30 (76.2)	30 (76.2)	36 (91.4)	36 (91.4)
C — Height	6 (15.2)	6 (15.2)	6 (15.2)	6 (15.2)
D — Depth	17 1/2 (44.5)	22 1/2 (56.5)	17 1/2 (44.5)	22 1/2 (56.5)
E	5 1/4 (13.3)	10 1/2 (26.7)	5 1/4 (13.3)	10 1/2 (26.7)
F	2 (5.1)	1/2 (2.2)	2 (5.1)	1/2 (2.2)
G	9 (22.9)	10 1/2 (26.0)	9 (22.9)	10 1/2 (26.0)
H	1 1/2 (3.8)	1 1/4 (4.4)	1 1/2 (3.8)	1 1/4 (4.4)
I	1 (2.5)	1 (2.5)	1 (2.5)	1 (2.5)
J	7 1/2 (19.1)	7 1/2 (18.4)	7 1/2 (19.1)	7 1/2 (18.4)
K	1/2 (1.9)	3/4 (8.6)	1/2 (1.9)	3/4 (8.6)
L	1 1/2 (3.8)	1 1/2 (27.9)	1 1/2 (3.8)	1 1/2 (27.9)
M	—	10 (25.4)	—	10 (25.4)
N	—	3 (7.6)	—	3 (7.6)
O	—	1/2 (1.3)	—	1/2 (1.3)
Approximate Shipping Weight — lbs. (kg)	16 (7)	31 (14)	16 (7)	31 (14)

INSTALLATION INFORMATION



Refer to installation instructions packaged with unit or consult your local Amana representative before making any cutouts or final designs.

All models listed may not be available from every Amana dealer.

Amana's ongoing commitment to quality products may mean a change in product specifications without notice.

AMANA® WASHERS

MODELS	NAV2335	NAV3335	NAV5805	NAV8805
Color				
White	•	•	•	•
Features				
ENERGY STAR®-Qualified				•
Tub Material	Polymer	Polymer	Elustra™ Stainless Steel	Elustra™ Stainless Steel
Easy-Access™ Opening	•	•	•	•
Motor Speeds	1	2	2	2
Controls	EasySelect	EasySelect	EasySelect	Electronic
Spin Speed — Max. (RPM)	620	620	620	620
Water Levels	4	5	5	Infinite
Agitator	Straight Vane	Deluxe Auger	Deluxe Auger	Tri-Care™
Extra Rinse		•	•	•
Spot Treating Faucet				•
Bleach Dispenser	•	•	•	•
Fabric Softener Dispenser	•	•	•	•
End-Of-Cycle Signal				On/Off Rocker
SoftSound™ Quiet Package			I	II
Water-Temperature Combinations	4	4	4	4
Automatic Temperature Control				•
Self-Cleaning Lint Filtration System	•	•	•	•
Self-Adjusting Rear Leveling Legs	•	•	•	•
Six-Point Suspension System	•	•	•	•

Wash Cycles

Regular/Cottons	•	•	•	•
Wrinkle-Free/No-Iron Fabrics	•	•	•	•
Handwash	•	•	•	•
Ultra Handwash				•
Quick Wash		•	•	•
Soak Only				•
Whites/Towels				•

Capacities And Unit Dimensions

Tub Capacity — cu. ft.	3.3	3.3	3.3	3.3
Overall Height — in. (cm)	44 (111.8)	44 (111.8)	44 (111.8)	44 (111.8)
Height Of Cabinet — in. (cm)	36 (91.4)	36 (91.4)	36 (91.4)	36 (91.4)
Width — in. (cm)	27 (68.6)	27 (68.6)	27 (68.6)	27 (68.6)
Depth Including Drain Hose — in. (cm)	27 (68.6)	27 (68.6)	27 (68.6)	27 (68.6)
Washer Lid Clearance — in. (cm)	17 1/2 (44.5)	17 1/2 (44.5)	17 1/2 (44.5)	17 1/2 (44.5)
Approximate Shipping Weight — lbs. (kg)	200 (91)	200 (91)	200 (91)	200 (91)

Energy

Electrical Service Requirements	120 VAC, 60 Hz, 15 Amps Max.	120 VAC, 60 Hz, 15 Amps Max.	120 VAC, 60 Hz, 15 Amps Max.	120 VAC, 60 Hz, 15 Amps Max.
Motor Horsepower	1/2	1/2	1/2	1/2
2006 Energy-Compliant	•	•	•	•

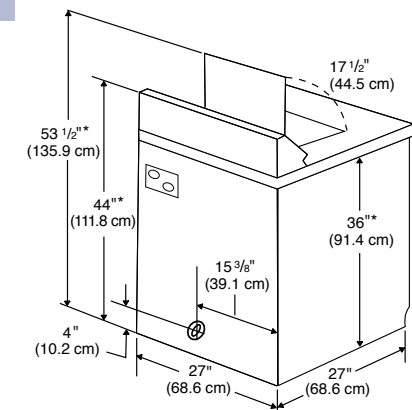
INSTALLATION INFORMATION

Amana® Washers

HOSE LENGTH: Inlet: 4 feet (1.22 m); drain: 4 feet (1.22 m).

INSTALLATION REQUIREMENTS: Hot and cold water connections with water pressure within 30 – 120 p.s.i. (207 – 827 KPa) range; 120°F to 140°F hot water; a drain; a 120-volt, 60 Hz electrical outlet properly grounded and protected by a 15-amp fuse.

* Dimensions will vary according to adjustment of leveling legs.



All models listed may not be available from every Amana dealer.

Amana's ongoing commitment to quality products may mean a change in product specifications without notice.

AMANA® ELECTRIC AND GAS DRYERS

ELECTRIC MODELS	NDE2335	NDE5805	NDE8805
GAS MODELS	NDG2335	NDG5805	NDG8805
Color			
White	•	•	•
Features			
Cylinder Material	TrueCare™ Powder-Coated Steel	TrueCare™ Powder-Coated Steel	Elustra™ Stainless Steel
Temperature Selections	3	4	4
FabriCare™ System	•	•	•
Extended Tumble		Wrinkle Out	
Wrinkle Prevent			•
Drying Rack			•
Drum Light	•	•	•
End-Of-Cycle Signal	On/Off	On/Off	On/Off Chime
SoftSound™ Quiet Package		I	II
Four-Point Suspension System	•	•	•
Reversible Door	•	•	•
Extra-Large Door Opening	•	•	•
Dry Cycles			
Cycle Selections	7	8	16
Dryness Control	Automatic	Automatic	Sensor
Adjustable Degree of Dryness	3 Levels	3 Levels	4 Levels
Fabric Selections	2	2	4
Regular	•	•	•
No-Iron Cycle	•	•	•
Delicates			•
Jeans			•
Refresh		•	•
Touch Up			•
Time Dry	Up To 100 Minutes	Up To 100 Minutes	Up To 60 Minutes
Damp Dry	•	•	•
Air Fluff/No Heat	•	•	•

Optional Accessories — Additional Cost

LP Conversion Kit	LPKI	LPKI	LPKI

Capacities And Unit Dimensions

Drum Capacity — cu. ft.	7.1	7.1	7.1
Overall Height — in. (cm)	44 (111.8)	44 (111.8)	44 (111.8)
Height Of Cabinet — in. (cm)	36 (91.4)	36 (91.4)	36 (91.4)
Width — in. (cm)	27 (68.6)	27 (68.6)	27 (68.6)
Depth* — in. (cm)	28½ (72.4)	28½ (72.4)	28½ (72.4)
Dryer Door Clearance — in. (cm)	23¼ (59.1)	23¼ (59.1)	23¼ (59.1)
Approximate Shipping Weight — lbs. (kg)	145 (65.8)	145 (65.8)	145 (65.8)

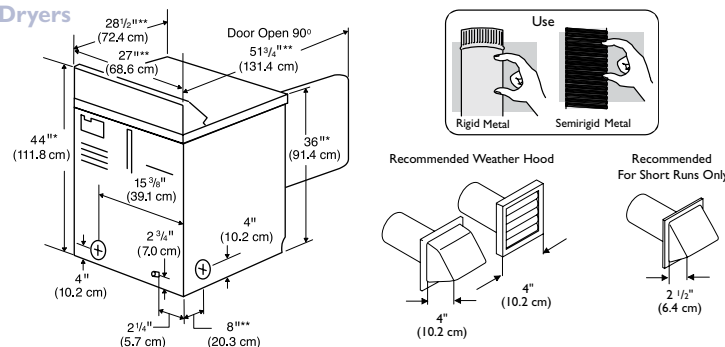
Energy

Electrical Service Requirements — Electric	240 VAC, 60 Hz, 30 Amps Max.	240 VAC, 60 Hz, 30 Amps Max.	240 VAC, 60 Hz, 30 Amps Max.
Electrical Service Requirements — Gas	120 VAC, 60 Hz, 15 Amps Max.	120 VAC, 60 Hz, 15 Amps Max.	120 VAC, 60 Hz, 15 Amps Max.
Heating Element Wattage @ 240V	5,300	5,300	5,300
Gas Consumption (BTU, Nat. Or LP)	22,000	22,000	22,000
Motor Horsepower	½	½	½

*Does not include clearance for ductwork venting.

INSTALLATION INFORMATION

Amana® Dryers



All models listed may not be available from every Amana dealer. Amana's ongoing commitment to quality products may mean a change in product specifications without notice.

* Dimensions will vary according to adjustment of leveling legs.
 ** Includes ¾" (1.9 cm) for hinge on back of dryer.

Amana's ongoing commitment to quality products may mean a change in product specifications without notice.

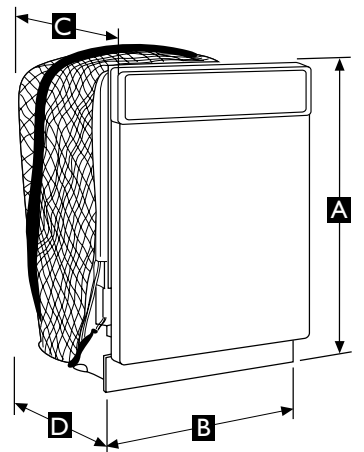
AMANA® DISHWASHERS

MODELS	DDW361RA	ADB1500AW	ADB2500AW	ADB3500AW
Colors				
White	•	•	•	•
Bisque		•	•	•
Black	•	•	•	•
Silver Metallic		•	•	•
Stainless Steel	(Kit Optional)	•	•	•
ENERGY STAR®-Qualified		•	•	•
Tub				
Size	Normal	Tall	Tall	Tall
Material	Polypropylene	Polypropylene	Polypropylene	Stainless Steel
Cycle Selections				
Heavy Wash	•	•	•	•
Normal Wash	•	•	•	•
Light Wash	•			
Quick Wash		•	•	•
Rinse Only	•		•	•
Features				
Control Buttons	6			
Touch Pads		5	10	10
Status Indicators	2	9	16	16
Wash System				
Wash Levels/Tiers	3/6	5/7	5/7	5/7
Dual Filter		•	•	•
Options				
Auto/Sensor Clean			•	•
High-Temp Wash	•	•	•	•
Sanitize (NSF-Certified)			•	•
One-Touch Memory Cycles		•	•	•
Delay Start	2-/4-/6-Hour	2-/4-/6-Hour	2-/4-/6-Hour	2-/4-/6-Hour
Control Lockout			•	•
Rinse-Aid Dispenser	•	•	•	•
Low Rinse-Aid Indicator		•	•	•
Heated Dry		•	•	•
Vent Dry System	Active	Active	Active	Condensate
Rack Options				
Rack Finish	Vinyl	Vinyl	Nylon	Nylon
Ball-Tip Times	•	•	•	•
Upper Rack				
Deluxe	•		•	•
Cup Shelves			2	2
Lower Rack				
High-Side			•	•
Cup Shelves			2	2
One-Piece Silverware Basket	•			
In-Door Silverware Basket		•	With Covers	With Covers
Sound Options				
SoftSound™ Quiet Package	I	I	II	III
Optional Kits*				
Custom Wood Panel Kit	DAX1000AXX*	N/A	N/A	N/A
Stainless Steel Panel Kit	DAX2000AXS*	N/A	N/A	N/A
Unit Dimensions — in. (cm)				
A — Height**	33¼ (85.7)	33¼ – 35¼ (85.1 – 89.5)	33¼ – 35¼ (85.1 – 89.5)	33¼ – 35¼ (85.1 – 89.5)
B — Width	23¼ (60.6)	23¼ (60.6)	23¼ (60.6)	23¼ (60.6)
C — Depth Including Door	27 (68.6)	23¼ (60.6)	23¼ (60.6)	23¼ (60.6)
D — Depth Excluding Door	24 (61)	19½ (49.5)	19½ (49.5)	19½ (49.5)

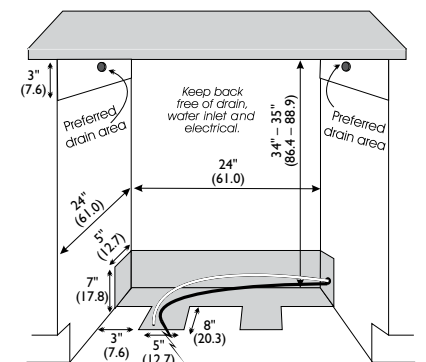
* To order custom wood or stainless steel panel kits for DDW361RA, call toll-free 1-800-843-0304.

**For models ADB1500, ADB2500 and ADB3500, height without top trim strip is 33¼" (85.1 cm) min., 35¼" (89.5 cm) max.; height with top trim strip is 33¼" (85.7 cm) min., 35¼" (89.5 cm) max.

INSTALLATION INFORMATION



DDW361, ADB1500, ADB2500, ADB3500



CUTOUT DIMENSIONS — IN. (CM)

Refer to installation instructions packaged with unit or consult your local Amana representative before making any cutouts or final designs.

All models listed may not be available from every Amana dealer.

Amana's ongoing commitment to quality products may mean a change in product specifications without notice.