





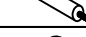



ASSEMBLY INSTRUCTION





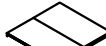
ITEM: 6025-75200B-80 Vittorio Rectangle Dining Table Base
 6025-75200T-80 Vittorio 80in Rectangle Table Top w/ 2-22in Leaves

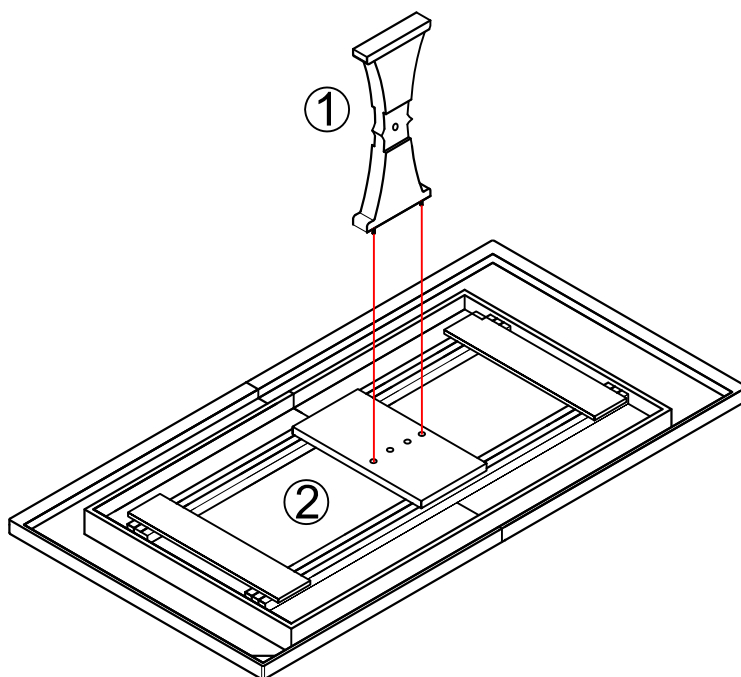
Thank you for purchasing this quality product. Be sure to unpack carefully looking for small parts which may have come loose during shipment. Read all instruction and study the drawing carefully before starting the assembly process.

HARDWARE PACK

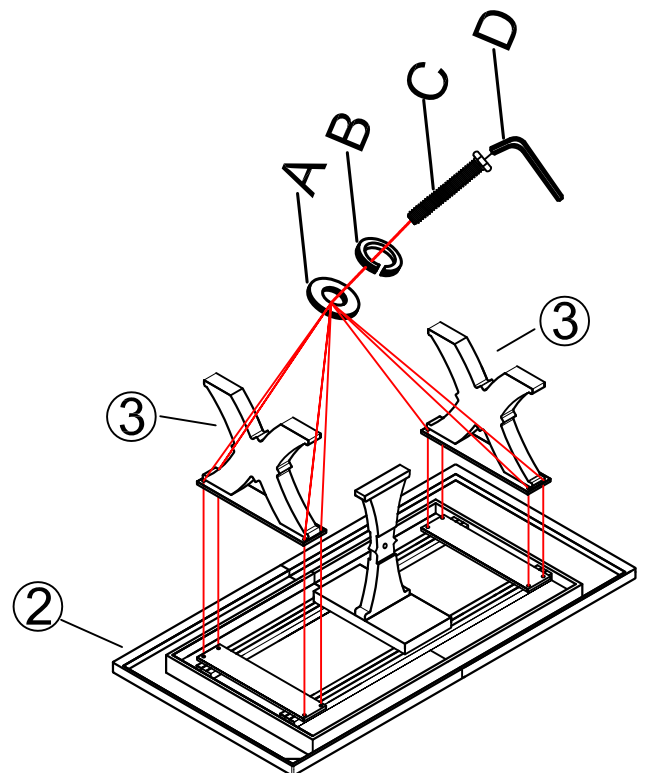
NO.	DRAWING	DESCRIPTION	SIZE	Q'TY
A		Flat Washer	Ø5/16"	14PCS
B		Lock Washer	Ø5/16"	14PCS
C		Bolt	5/16*35mm	8PCS
D		Allen Wrench	73*29*5mm	1PC
E		Bolt	Ø5/16"*50mm	6PCS
F		Plastic Washer	Ø35mm	2PCS
G		Wood Plug	Ø5/16"	2PCS
H		Metal Cap	Ø5/16"	4PCS

PART LIST

NO.	DRAWING	DESCRIPTION	Q'TY
1		Center Pedestal	1PC
2		Top Panel	1PC
3		Side Pedestal	2PCS
4		Stretcher	2PCS
5		Leaf	2PCS



Step 1: Put center pedestal (1) onto top panel (2).

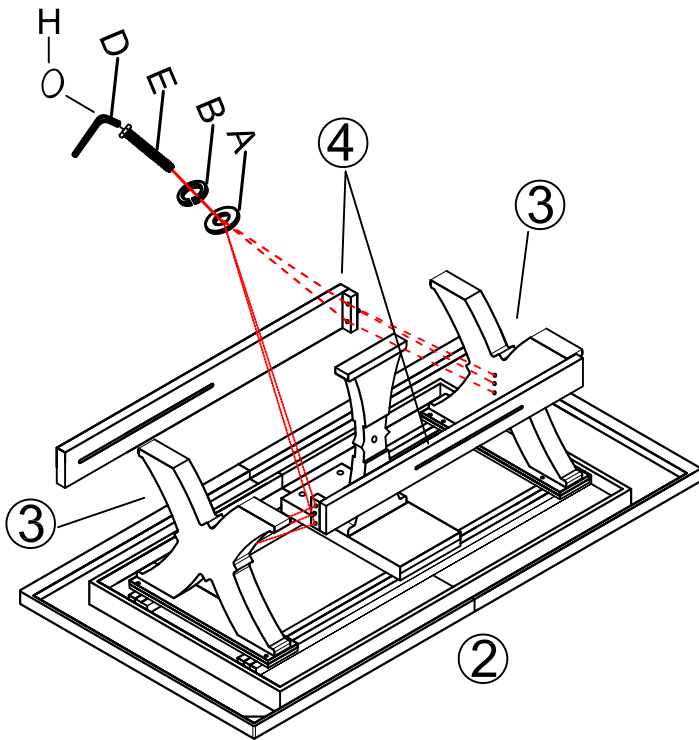


Step 2: Attach side pedestals (3) to table top (2).

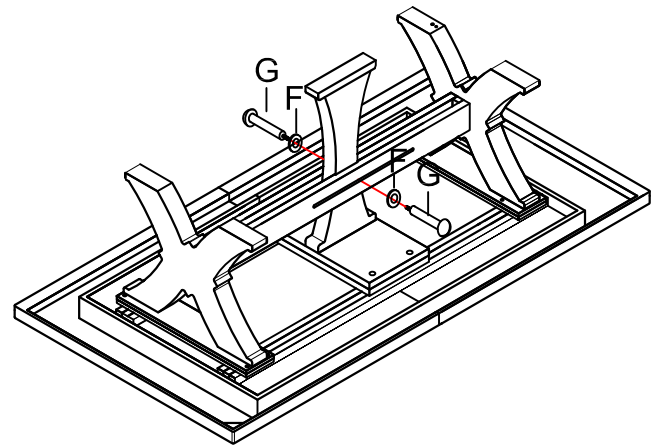
ASSEMBLY INSTRUCTION

ITEM: 6025-75200B-80 Vittorio Rectangle Dining Table Base
6025-75200T-80 Vittorio 80in Rectangle Table Top w/ 2-22in Leaves

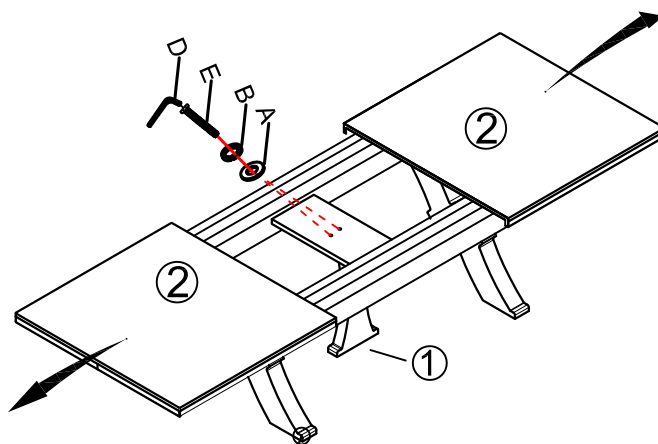
Thank you for purchasing this quality product. Be sure to unpack carefully looking for small parts which may have come loose during shipment. Read all instruction and study the drawing carefully before starting the assembly process.



Step 3: Attach stretchers (4) to side pedestals (3), and use metal caps (H) to cover bolts (E).

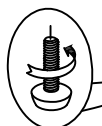


Step 5: Insert wood plugs (G) with plastic washers (F) into center pedestal through stretcher, tighten wood plugs by turning in clockwise direction.



Step 6: Turn table upright and pull out table top, tighten center pedestal (1) by using flat washers (A), lock washers (B), bolts (E) and allen wrench (D).

Step 7

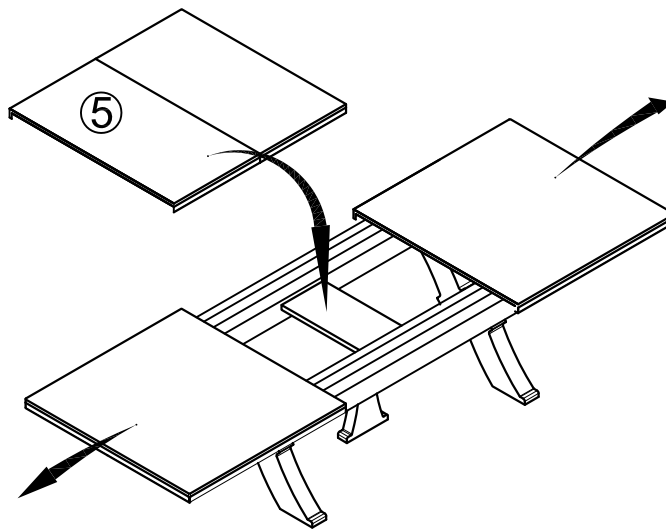
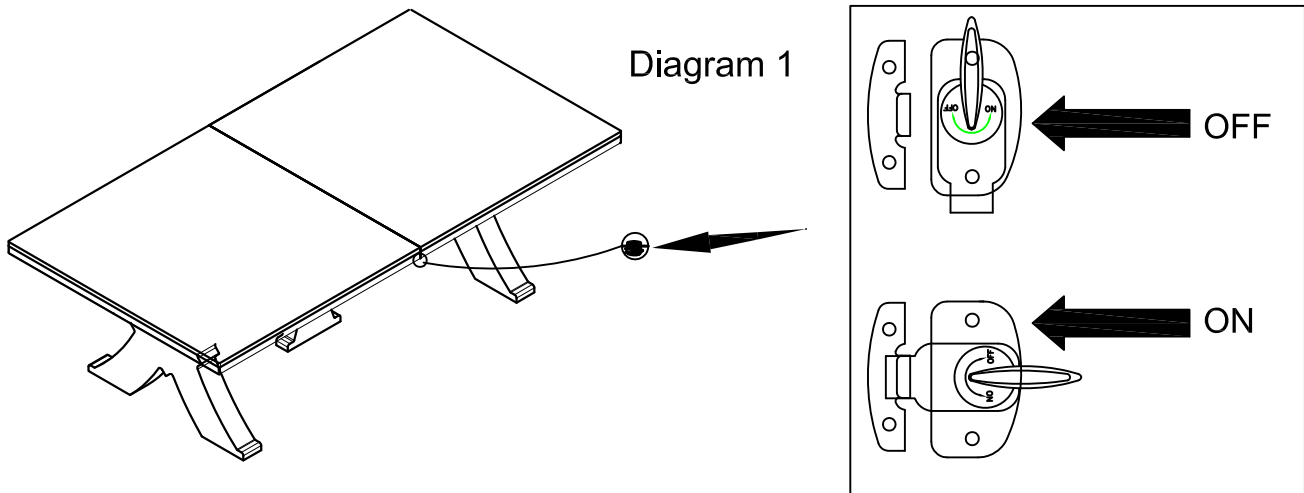


Adjust Leveler if needed to level base on uneven floor.

ASSEMBLY INSTRUCTION

ITEM: 6025-75200B-80 Vittorio Rectangle Dining Table Base
6025-75200T-80 Vittorio 80in Rectangle Table Top w/ 2-22in Leaves

Thank you for purchasing this quality product. Be sure to unpack carefully looking for small parts which may have come loose during shipment. Read all instruction and study the drawing carefully before starting the assembly process.



Note: Table leaves in between are follow the figures in sequence on bottom of table.

Instruction for table leaves:

1. There are latches at the bottom of table top, turn off the latches as shown in Diagram 1.
2. Pull out table top as the arrow direction shown in Diagram 2.
3. Place table leaves (5) between and push table tops together.
4. Turn on latches. (See Diagram 1)
5. Take opposite actions to remove table leaves.