

# ASSEMBLY INSTRUCTION

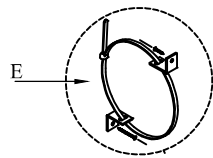
Item: 6101-90015-02 Telephone Table  
6102-90015-80 Telephone Table

Thank you for purchasing this quality product. Be sure to unpack carefully looking for small parts which may have come loose during shipment.

Read all instruction and study the drawing carefully before starting the assembly process:

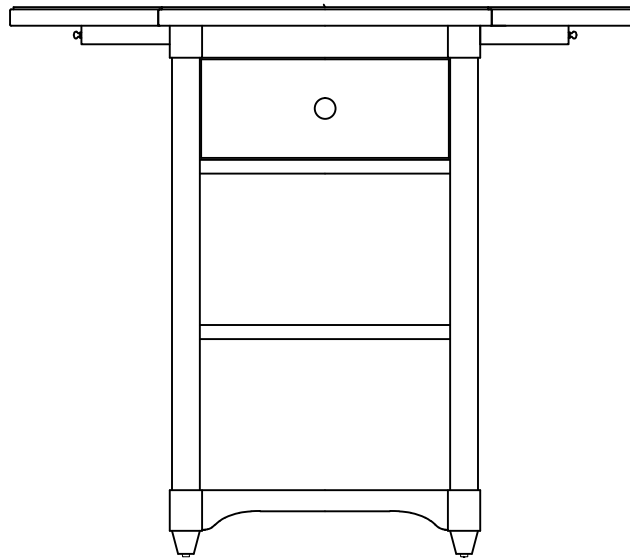
## HARDWARE PACK

E	Furniture Tipping Restraint	1pc
---	-----------------------------	-----

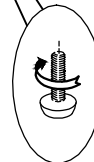


Anti - tip kit is included for use.  
We recommend installing for  
safety reason

Tipping Restraint



**Adjust levelers if needed, to  
level case on uneven floor**



Note: Anti - tip kit restraint is provided. Please follow the instruction enclosed with the pack.