

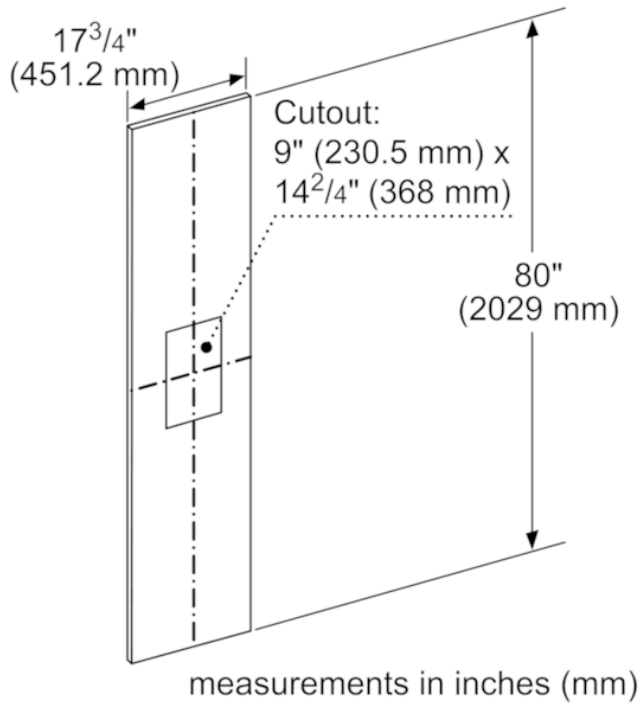
Product Features



Notes: Please refer to installation instructions. Installation instructions are available at www.thermador.com. Specifications are correct at the time of printing. Thermador reserves the right to change product specifications and design at any time, without notice.

1 800 735 4328 | WWW.THERMADOR.COM | 1901 Main Street, Suite 600 Irvine, CA 92614

©2020 BSH HOME APPLIANCES CORPORATION, ALL RIGHTS RESERVED LITHO DATE: 11/2020



Product Features

| | Accessory |
|-------------------------------------|--------------------------------------------|
| Brand | Thermador |
| SKU | TFL18ID905 |
| Internal article number | 00000000023000322 |
| EAN code | 825225956433 |
| | 29 |
| | 50 |
| Standard number of units per pallet | 12 |
| UPC code | 825225956433 |
| Product image | MCSA02537115_i5937_1905523_TFL18ID905_PGA2 |

Technical Specification

Notes: Please refer to installation instructions. Installation instructions are available at www.thermador.com. Specifications are correct at the time of printing. Thermador reserves the right to change product specifications and design at any time, without notice.