

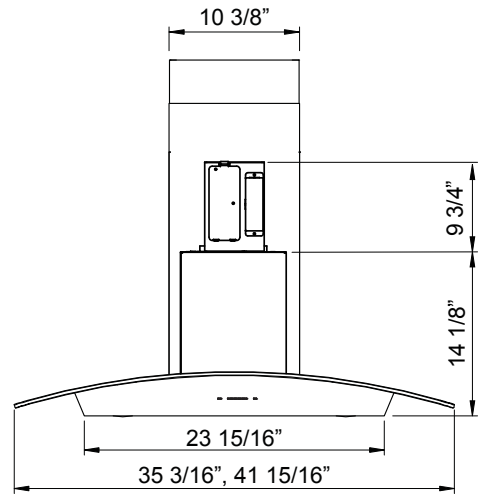
The delicate curve of a smoke-gray glass canopy arching over your island cooktop will add an elegance to your everyday cooking experience. The Ravenna features our sleek black stainless steel finish with an anti-smudge

Titanium coating for extra durability and easy cleaning. Complete with our exclusive Airflow Control Technology™ (ACT™), ICON Touch® Controls, Brit-eStrip™ LED lighting and a powerful, yet quiet, 600 CFM blower.

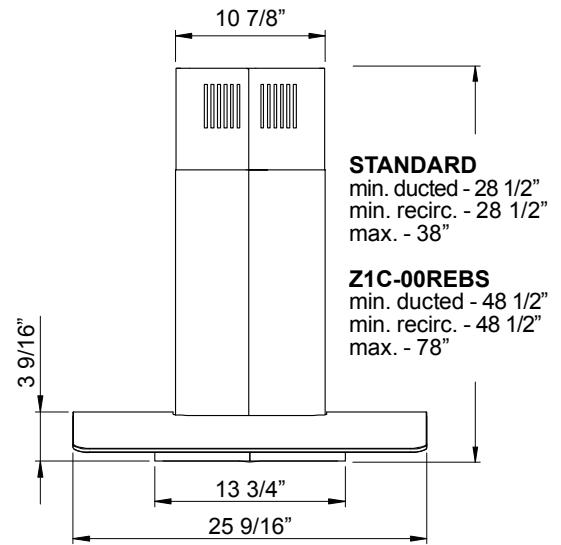
ACT™

Min. - Max. CFM	INTERNAL BLOWER STANDARD	INTERNAL BLOWER with ACT™ AIRFLOW CONTROL TECHNOLOGY™*	
	200 - 600	200 - 390	200 - 290
Min. - Max. Sones	1 - 6	1 - 4	1 - 3

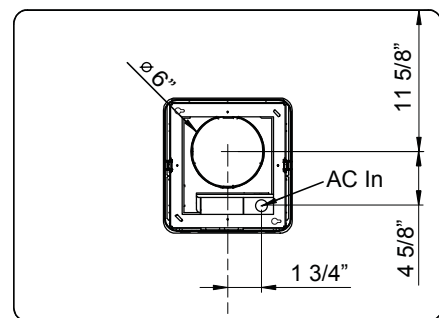
\*AIRFLOW CONTROL TECHNOLOGY™ (ACT™) is an exclusive feature built into specific Zephyr hoods which can limit the maximum blower CFM to meet local code requirements.



FRONT



SIDE



C/L

TOP

**MODEL**Black Stainless Steel  
w/ Smoke-Gray Glass

ZRE-M90ABSGG

ZRE-E42ABSGG

Size	36"	42"
Blower CFM (Min. - Max.)	200 - 600	200 - 600
Sones (Min. - Max.)	1 - 6	1 - 6
ACT 390 CFM (Min. - Max.)	200 - 390	200 - 390
ACT 390 Sones (Min. - Max.)	1 - 4	1 - 4
ACT 290 CFM (Min. - Max.)	200 - 290	200 - 290
ACT 290 Sones (Min. - Max.)	1 - 3	1 - 3

**FEATURES**

ACT™ Technology	Yes	Yes
Controls	ICON Touch®	ICON Touch®
Speed Levels	5*	5*
Auto Delay-Off	Yes	Yes
Lighting	BriteStrip™ LED, x2	BriteStrip™ LED, x2
Dual-Level Lighting	Yes	Yes
Filters	Aluminum Mesh x2	Aluminum Mesh x2
Recirculating Option	Yes	Yes
Quick-Lock Installation	Yes	Yes
Magnetic Duct Covers	Yes	Yes
Duct Cover Extension Option	Yes, Up to 12' Ceiling	Yes, Up to 12' Ceiling

**DUCT SPECIFICATIONS**

Vertical Internal Blower	6" Round	6" Round
Horizontal Internal Blower	NA	NA
AC POWER	120V, 60Hz at Max. 4A	120V, 60Hz at Max. 4A

**OPTIONAL ACCESSORIES**

Recirculating Kit	ZRC-00RE	ZRC-00RE
Duct Cover Extension	Z1C-00REBS	Z1C-00REBS
Make-Up Air Kit	MUA006A	MUA006A

<b>MOUNTING HEIGHT RANGE**</b>	26" - 34"	26" - 34"
--------------------------------	-----------	-----------

<b>WARRANTY</b>	3 years parts, 1 year labor	3 years parts, 1 year labor
-----------------	-----------------------------	-----------------------------

CEILING HEIGHT		8'	8.5'	9'	9.5'	10'	10.5'	11'	12'
STANDARD DUCT COVER	Ducted Mounting Height**	26" - 31.5"	27" - 34"	33" - 34"	NA	NA	NA	NA	NA
	Recirc Mounting Height**	26" - 31.5"	27" - 34"	33" - 34"	NA	NA	NA	NA	NA
DUCT COVER EXTENSION	Ducted Mounting Height**	NA	NA	NA	26" - 29.5"	26" - 34"	26" - 34"	26" - 34"	30" - 34"
	Recirc Mounting Height**	NA	NA	NA	26" - 29.5"	26" - 34"	26" - 34"	26" - 34"	30" - 34"

\*When ACT™ is enabled the maximum speed levels will change. ACT 390 CFM = 4 speeds and ACT 290 CFM = 3 speeds.

\*\*Mounting height refers to distance between top of a 36" tall cooking surface and bottom of hood.

**ACT™** AIRFLOW CONTROL TECHNOLOGY™ (ACT™)  
is an exclusive feature built into specific Zephyr hoods which can limit the maximum blower CFM to meet local code requirements.

Specifications subject to change, check zephyronline.com for up-to-date information.  
Zephyr Ventilation | 2277 Harbor Bay Parkway, Alameda, CA 94502 | 888.880.VENT

APR20.0101

