



## 36-INCH GAS COOKTOP

DTG36P875N | TRANSITIONAL



### AVAILABLE MODELS

- DTG36P875NS Transitional 36" Gas Cooktop - Stainless Steel Natural Gas/Liquid Propane
- DTG36P875NM Transitional 36" Gas Cooktop - Graphite Stainless Steel Natural Gas/Liquid Propane

### FEATURES & BENEFITS

- High performance burners at 19K BTU.
- Automatic burner reignition.
- Illumina™ knobs.
- Continuous grates.
- Auto connect to hood.
- SmartThings app enables monitoring of the cooktop from outside the kitchen.
- Removable cast iron griddle and wok ring included.

### BURNER PERFORMANCE

TOTAL NUMBER OF COOKTOP BURNERS	5
LEFT FRONT BURNER (BTU)	9,500
LEFT REAR BURNER (BTU)	9,500
RIGHT FRONT BURNER (BTU)	13,000
RIGHT REAR BURNER (BTU)	5,000
CENTER BURNER POWER (BTU)	19,000
SEALED BURNERS	YES

### CONTROL FEATURES

DISHWASHER SAFE KNOBS	YES
CONTROL LOCATION	FRONT
LED KNOB BACKLIGHT + INDICATOR	YES
WI FI HOOD CONNECTIVITY	YES
AUTOMATIC REIGNITION	YES

### INSTALLATION

GAS TYPE	NATURAL GAS
LP CONVERSION KIT	YES
INSTALLATION TYPE	DROP-DOWN

### TECHNICAL DETAILS

CIRCUIT BREAKER (A)	1
VOLTS (V)	120
FREQUENCY (HZ)	60
ENERGY SOURCE	GAS AND ELECTRIC

### DIMENSIONS & WEIGHT

APPLIANCE DIMENSIONS (W X H X D) (IN.)	36" X 3 1/8" X 22 3/8"
CHASSIS REQUIRED CUTOOUT SIZE (W X D) (IN.)	33 7/8" X 19 1/8"

### ACCESSORIES (INCLUDED)

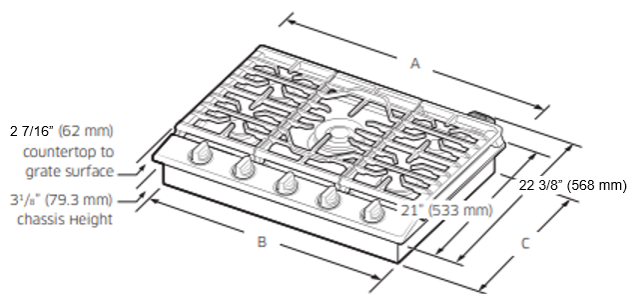
CAST IRON GRIDDLE	YES
WOK RING	YES

### WARRANTY

LIMITED, PARTS AND LABOR	2 YEARS
--------------------------	---------

# dacor 36-INCH GAS COOKTOP

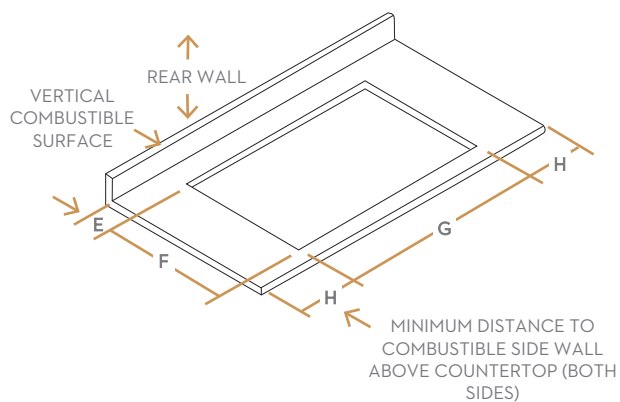
## APPLIANCE DIMENSIONS



## INSTALLATION CUTOUT DIMENSIONS

36"

E (MIN)	2 7/8" (73MM)
F (MIN)	19 1/8" (485.8MM)
G (MIN)	33 7/8" (860.4MM)
H (MIN)	12" (304.8MM)



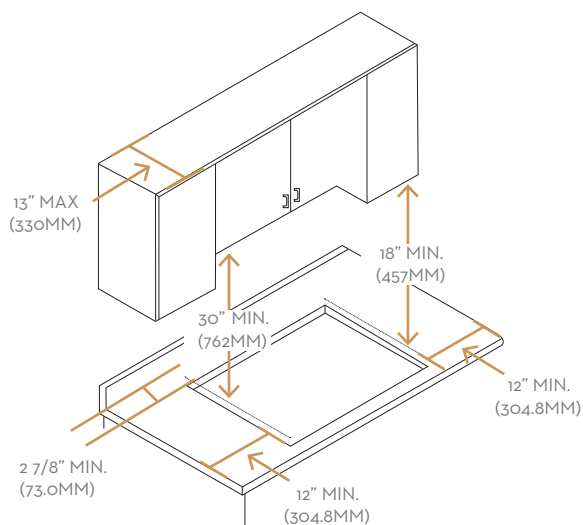
## APPLIANCE DIMENSIONS

36"

A (WIDTH)	36" (914.4MM)
B (CHASSIS WIDTH)	33 11/16" (855MM)
C (CHASSIS DEPTH)	18 7/8" (479MM)

## INSTALLATION CUTOUT DIMENSIONS

36"



## INSTALLATION CUTOUT DIMENSIONS

36" DOWNDRAFT | DTG36P875N

COMING SOON

**NOTE:** All horizontal clearances must be maintained for a minimum of 18" (457mm) above the cooking surface.