

# Downdraft Range Hood, 36", Telescopic

Series 7 | professional

Stainless Steel

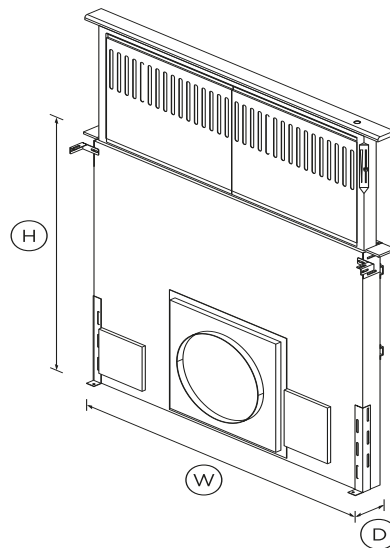


Perfectly hidden away behind your cooktop, this 36" downdraft range hood can be raised while cooking, for efficient extraction.

- Seamlessly integrates into your kitchen, sliding up from your cooktop when you cook
- Raises to 14" height for better steam, grease and odor-capture efficiency
- Pair with our remote 1200CFM or our internal 600CFM blower for quiet and effective extraction

## DIMENSIONS

Height	28 <sup>1</sup> / <sub>4</sub> - 42 <sup>1</sup> / <sub>4</sub> "
Width	36 "
Depth	2 <sup>1</sup> / <sub>8</sub> "



The product dimensions and specifications in this page apply to the specific product and model. Under our policy of continuous improvement, these dimensions and specifications may change at any time. You should therefore check with Fisher & Paykel's Customer Care Centre to ensure this page correctly describes the model currently available. Â© Fisher & Paykel Appliances Ltd 2019.

## FEATURES & BENEFITS

### Quiet and effective

The downdraft system quickly and quietly extracts unwanted grease, smoke and odors through stainless steel mesh filters.

SKU

50045

---

Other product downloads available at [fisherpaykel.com](http://fisherpaykel.com)



User Guide



Installation Guide



Installation Guide



Resources (zip)



**A PEACE OF MIND SALE**

**24 Hours 7 Days a Week Customer Support**

**T** 1300 650 590 **W** [www.fisherpaykel.com](http://www.fisherpaykel.com)