



30-INCH INDUCTION COOKTOP

DTI30P876BB | TRANSITIONAL STYLE



FEATURES & BENEFITS

- Flex Zone™ - a large open area offers greater flexibility for cooking multiple dishes at one time. Easily accommodates various cookware sizes.
- Up to 4 cooking zones with Flex Zone™.
- Touch control allows easy access to cooktop functions including power boost.
- Smart Connectivity - auto connects to hood.
- Child safety lock.
- Residual heat reminder.
- SmartThings app enables monitoring of the cooktop from outside the kitchen.

GENERAL PROPERTIES

CONTROLS

TOUCH CONTROL

FEATURES

RESIDUAL HEAT INDICATOR	2 STAGE
CHILD LOCK	YES
KITCHEN TIMER	YES
PAUSE	YES
POWER LEVEL SETTING	9 + POWER BOOST
QUICK STOP	YES
SIMMER/MELT	YES
POWER ON/OFF	YES

ADDITIONAL FEATURES

AUTO PAN DETECTION	YES
SOUND ON/OFF	YES
DEMO MODE	YES
BLUETOOTH CONNECT	YES
WI FI CONNECT	YES
HOOD CONNECTIVITY ON/OFF	YES

ELEMENT PERFORMANCE

TOTAL NUMBER OF COOKTOP ZONES	4
FLEX ZONE LEFT FRONT (W)	1800W / 2600W (B)
FLEX ZONE LEFT REAR (W)	1800W / 2600W (B)
POWER COIL CENTER (W)	3600W / 4800W (B)
RIGHT (W)	1400W / 1800W (B)
ZONES WITH BOOSTER	4

ELEMENT SIZE

FLEX ZONE LEFT	7 19/20" W X 15 6/25" D
FLEX ZONE RIGHT	7 19/20" W X 15 6/25" D
CENTER HEATING ELEMENT	7" / 11" POWER COIL™
RIGHT HEATING ELEMENT	6" POWER COIL™

TECHNICAL DETAILS

FLEX ZONE POWER	3300W / 3600W (B)
WATTS (W)	10.8 KW / 9.5 KW
VOLTS (V)	240 / 208
CIRCUIT BREAKER (A)	40
FREQUENCY (HZ)	60
ENERGY SOURCE	ELECTRIC

DIMENSIONS & WEIGHT

APPLIANCE DIMENSIONS (W X H X D) (IN.)	30" X 4" X 21 1/4"
REQUIRED CUTOUT SIZE (W X D) (IN.)	28 1/2" X 19 9/16"
MINIMUM DISTANCE FROM COUNTER FRONT (IN.)	1 1/2"
MINIMUM DISTANCE FROM REAR WALL (IN.)	1 1/8"

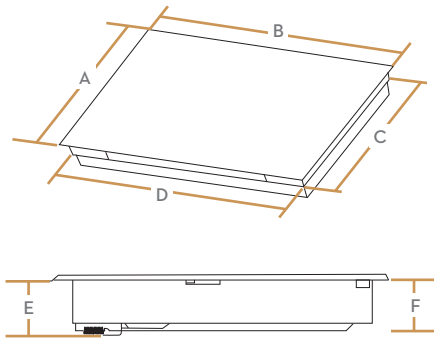
WARRANTY

LIMITED, PARTS AND LABOR	2 YEARS
--------------------------	---------

dacor

30-INCH INDUCTION COOKTOP

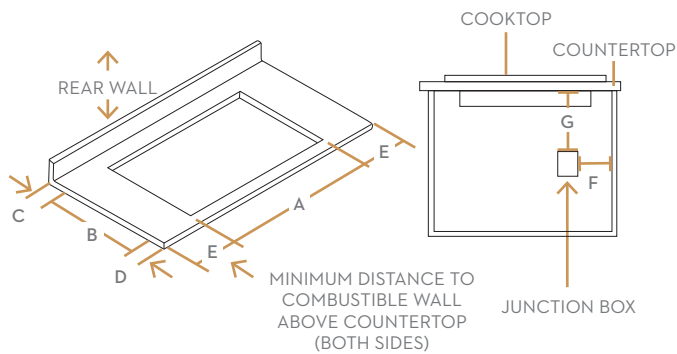
APPLIANCE DIMENSIONS



APPLIANCE DIMENSIONS

A	21 1/4" (540MM)	FRAME DEPTH
B	30" (762MM)	FRAME WIDTH
C	19 1/2" (494.6MM)	CASE DEPTH
D	28 3/8" (720MM)	CASE WIDTH
E	4" (101MM)	CONDUIT CASE HEIGHT
F	3 1/8" (80.5MM)	CASE HEIGHT

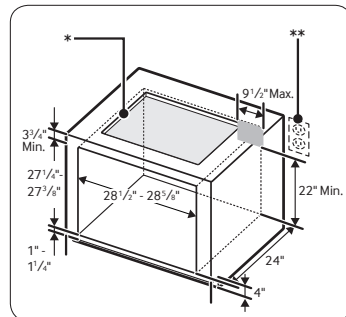
COUNTERTOP CUTOUT DIMENSIONS



COUNTERTOP CUTOUT DIMENSIONS

A	28 1/2" - 28 11/16" (724 mm - 728 mm)
B	19 9/16" - 19 5/8" (497.4 mm - 499.4 mm)
C	Min 1 1/8" (28 mm). Between cutout and the wall behind the cooktop
D	Min 1 1/2" (38 mm). From front edge of cutout and front edge of countertop
E	Min 1" (26 mm). Distance nearest left and right side combustible surface above countertop
F	Junction box or outlet 10" (254 mm) maximum from right-hand side of cabinet
G	Junction box or outlet 15" (381 mm) minimum from bottom of countertop

WALL OVEN UNDERCOUNTER CUTOUT DIMENSIONS



- * See built-in oven installation for complete installation instructions. See label on top of approved built-in oven models.
- ** Refer to installation manual of oven.