

STANCE® 6659 KEYBOARD DRAWER

bdiusa.com
customerservice@bdiusa.com



Product Registration

Registering your new BDI product allows us to send you important product updates, service information and helpful hints related to your BDI products. Register today, and you will be entered to win free a BINK table from BDI: www.bdiusa.com/register

Placement and Maintenance

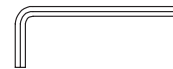
Stance® Lift Desk is designed for indoor use on level floors. Clean painted surfaces and wood veneer with a damp cloth.

Your Stance® Office furniture is engineered for easy assembly. Carefully follow this procedure to prevent any damage. Do not use power tools for assembly of this product.

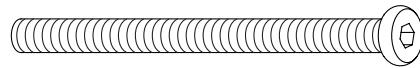
Step 1

Unpack and identify the parts listed below. The assembly workspace should be a non-marring surface such as carpet. For missing hardware pieces, please contact BDI Customer Service at customerservice@bdiusa.com. For all other concerns, please contact your BDI retailer.

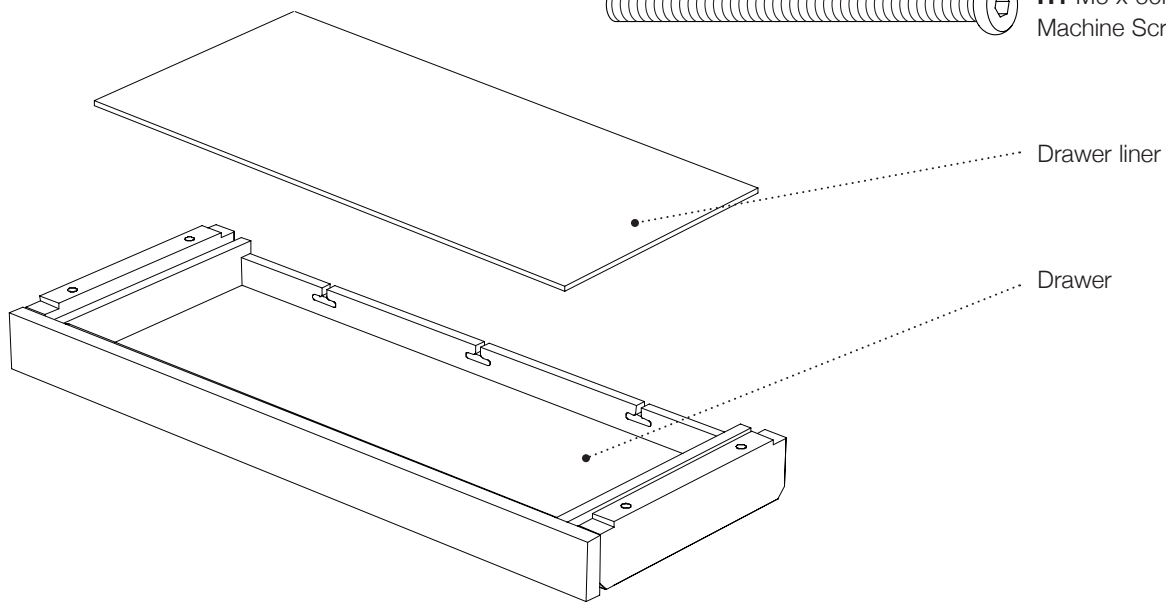
Hardware List:



T1 4mm Hex Wrench



H1 M6 x 60mm
Machine Screw x 4



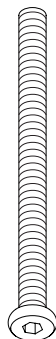
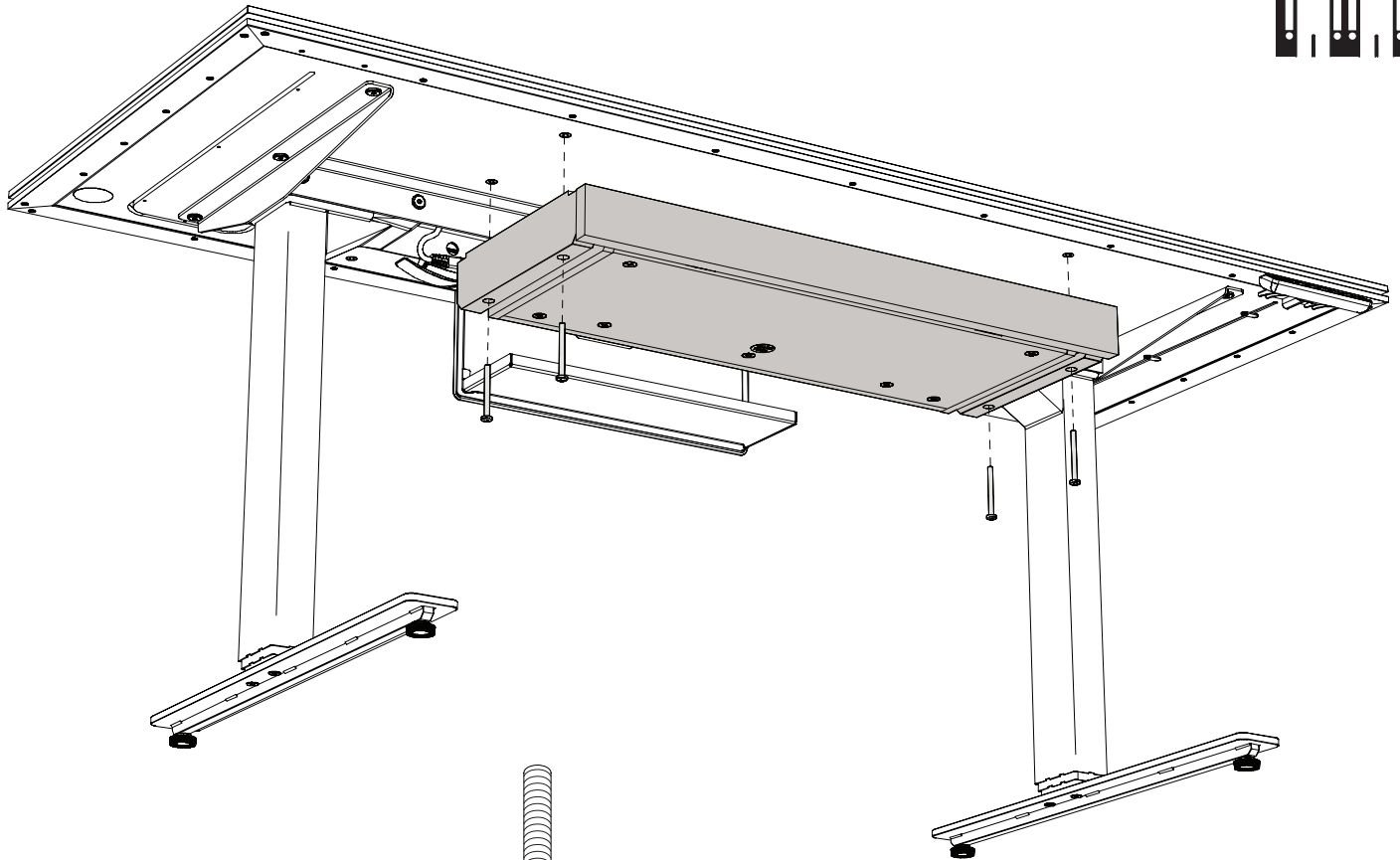
Designed by BDI Studio

These distinctive product configurations are protected by US and international patents, trade dress, and/or copyright laws. Stance & BDI are trademarks of Becker Designed, Inc. All rights reserved. ©2019, BDI

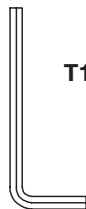
Made in Turkey. 06.20.2019

Step 1 - Install the Drawer

With help from another person, install the drawer under the desk using the **4 screws H1** going into the 4 threaded inserts under the desk. Start all 4 screws **before** completely tightening all the screws with **hex wrench T1**.



H1 M6 x 60mm
Machine Screw x 4



T1 4mm Hex Wrench

Step 2 - Install the Drawer liner

Open the drawer. Place the **drawer liner** into the drawer. Use the notches on the back of the drawer to route cords. The front of the drawer can swing down to accommodate keyboard use.

