



# JENN-AIR ELECTRIC RANGE ELECTRONIC TOUCH CONTROL 800

## USE & CARE GUIDE

### TABLE OF CONTENTS

Important Safety Instructions .....	1-4
Surface Cooking .....	5-8
Oven Cooking .....	9-22
Care & Cleaning .....	23-26
Maintenance .....	27-28
Troubleshooting .....	29-30
Warranty & Service .....	31
Guide de l'utilisation et entretien .....	32
Guía de Uso y Cuidado .....	64



Form No. B/09/04

Part No. 8113P464-60 Rev. 1

©2004 Maytag Appliances Sales Co.

Litho U.S.A.





**Installer:** Please leave this manual with this appliance.

**Consumer:** Please read and keep this manual for future reference. Keep sales receipt and/or cancelled check as proof of purchase.

Model Number \_\_\_\_\_

Serial Number \_\_\_\_\_

Date of Purchase \_\_\_\_\_

If you have questions, call:  
 Jenn-Air Customer Assistance  
 1-800-JENNAIR (1-800-536-6247)  
 1-800-688-2080 ( U.S. TTY for hearing or speech impaired)  
 (Mon.-Fri., 8 am-8 pm Eastern Time)  
 Internet: <http://www.jennair.com>

In our continuing effort to improve the quality and performance of our cooking products, it may be necessary to make changes to the appliance without revising this guide.


**For service information, see page 31.**

**Read and follow all instructions before using this appliance** to prevent the potential risk of fire, electric shock, personal injury or damage to the appliance as a result of improper usage of the appliance. Use appliance only for its intended purpose as described in this guide.



**To ensure proper and safe operation:** Appliance must be properly installed and grounded by a qualified technician. Do not attempt to adjust, repair, service, or replace any part of your appliance unless it is specifically recommended in this guide. All other servicing should be referred to a qualified servicer.

Always disconnect power to appliance before servicing.

## General Instructions

 **WARNING**

- **ALL RANGES CAN TIP AND CAUSE INJURIES TO PERSONS**
- **INSTALL ANTI-TIP DEVICE PACKED WITH RANGE**
- **FOLLOW ALL INSTALLATION INSTRUCTIONS**

**WARNING: To reduce risk of tipping of the appliance from abnormal usage or by excessive loading of the oven door, the appliance must be secured by a properly installed anti-tip device.**

# IMPORTANT SAFETY INSTRUCTIONS

Warning and Important Safety Instructions appearing in this guide are not meant to cover all possible conditions and situations that may occur. Common sense, caution, and care must be exercised when installing, maintaining, or operating the appliance.

Always contact your dealer, distributor, service agent, or manufacturer about problems or conditions you do not understand.

### Recognize Safety Symbols, Words, Labels

 **WARNING**

**WARNING** – Hazards or unsafe practices which COULD result in severe personal injury or death.

 **CAUTION**

**CAUTION** – Hazards or unsafe practices which COULD result in minor personal injury.

To check if device is properly installed, look underneath range with a flashlight to make sure one of the rear leveling legs is properly engaged in the bracket slot. The anti-tip device secures the rear leveling leg to the floor when properly engaged. You should check this **anytime** the range has been moved.

## To Prevent Fire or Smoke Damage

Be sure all packing materials are removed from the appliance before operating it.

Keep area around appliance clear and free from combustible materials. Flammable materials should not be stored in an oven.

Many plastics are vulnerable to heat. Keep plastics away from parts of the appliance that may become warm or hot.

To prevent grease fires, do not let cooking grease or other flammable materials accumulate in or near the appliance.



# IMPORTANT SAFETY INSTRUCTIONS

## In Case of Fire

Turn off appliance and ventilating hood to avoid spreading the flame. Extinguish flame then turn on hood to remove smoke and odor.

- **Cooktop:** Smother fire or flame in a pan with a lid or cookie sheet.  
**NEVER** pick up or move a flaming pan.
- **Oven:** Smother fire or flame by closing the oven door.

Do not use water on grease fires. Use baking soda, a dry chemical or foam-type extinguisher to smother fire or flame.

## Child Safety

### CAUTION

**NEVER** store items of interest to children in cabinets above an appliance or on backguard of a range. Children climbing on the appliance door to reach items could be seriously injured.

**NEVER** leave children alone or unsupervised near the appliance when it is in use or is still hot. Children should never be allowed to sit or stand on any part of the appliance as they could be injured or burned.

Children must be taught that the appliance and utensils in it can be hot. Let hot utensils cool in a safe place, out of reach of small children. Children should be taught that an appliance is not a toy. Children should not be allowed to play with controls or other parts of the appliance.

## About Your Appliance

### WARNING

**NEVER** use appliance as a step to reach cabinets above. Misuse of appliance door, such as stepping, leaning or sitting on the door, may result in possible tipping of the appliance, breakage of the door and serious injuries.

To prevent potential hazard to the user and damage to the appliance, do not use appliance as a space heater to heat or warm a room. Also, do not use the oven as a storage area for food or cooking utensils.

Do not obstruct the flow of air by blocking the oven vent.

**DO NOT TOUCH HEATING ELEMENTS OR INTERIOR SURFACES OF OVEN.** Heating elements may be hot even though they are dark in color. Interior surfaces of any oven become hot enough to cause burns. During and after use, do not touch, or let clothing or other flammable materials contact heating elements or interior surfaces of oven until they have had sufficient time to cool. Other surfaces of the appliance may become hot enough to cause burns – among these surfaces are: oven vent opening and surface near this opening, oven door, window of oven door.

Do not touch a hot oven light bulb with a damp cloth as the bulb could break. Should the bulb break, disconnect power to the appliance before removing bulb to avoid electrical shock.

**NEVER** use aluminum foil to cover an oven rack or oven bottom. Misuse could result in risk of electric shock, fire, or damage to the appliance. Use foil only as directed in this guide.

## Cooking Safety

Never heat an unopened food container in the oven. Pressure build-up may cause container to burst resulting in serious personal injury or damage to the appliance.

Use dry, sturdy potholders. Damp potholders may cause burns from steam. Dish towels or other substitutes should never be used as potholders because they can trail across hot elements and ignite or get caught on appliance parts.

Wear proper apparel. Loose fitting or long hanging-sleeved apparel should not be worn while cooking. Clothing may ignite and cause burns if garment comes in contact with heating elements.

Always place oven racks in the desired positions while oven is cool. Slide oven rack out to add or remove food, using dry, sturdy potholders. Always avoid reaching into the oven to add or remove food. If a rack must be moved while hot, use a dry potholder. Do not let potholder contact hot element in oven.

Use racks only in the oven in which they were shipped/purchased.



# IMPORTANT SAFETY INSTRUCTIONS

---

Use care when opening the oven door. Let hot air or steam escape before removing or replacing food.

**PREPARED FOOD WARNING:** Follow food manufacturer's instructions. If a plastic frozen food container and/or its cover distorts, warps, or is otherwise damaged during cooking, immediately discard the food and its container. The food could be contaminated.

Do not allow aluminum foil or meat probe to contact heating element.

Always turn off all controls when cooking is completed.

## Utensil Safety

Follow the manufacturer's directions when using oven cooking bags.

This appliance has been tested for safe performance using conventional cookware. Do not use any devices or accessories that are not specifically recommended in this guide. Do not use add-on oven convection systems. The use of devices or accessories that are not expressly recommended in this guide can create serious safety hazards, result in performance problems, and reduce the life of the components of the appliance.

If pan is smaller than element, a portion of the element will be exposed to direct contact and could ignite clothing or potholder.

Only certain types of glass, glass/ceramic, ceramic, earthenware, or other glazed utensils are suitable for cooktop or oven service without breaking due to the sudden change in temperature. Follow utensil manufacturer's instructions when using glass.

Turn pan handle toward center of cooktop, not out into the room or over another surface element. This reduces the risk of burns, ignition of flammable materials, or spillage if pan is accidentally bumped or reached by small children.

## Cooktop

**NEVER** leave surface units unattended especially when using high heat. An unattended boilover could cause smoking and a greasy spillover can cause a fire.

This appliance is equipped with different size surface elements. Select pans with flat bottoms large enough to cover element. Fitting pan size to element will improve cooking efficiency.

**GLASS-CERAMIC SURFACE: NEVER** cook on broken cooktop. If cooktop should break, cleaning solutions and spillovers may penetrate the broken cooktop and create a risk of electric shock. Contact a qualified technician immediately.

## Deep Fat Fryers

Use extreme caution when moving the grease pan or disposing of hot grease. Allow grease to cool before attempting to move pan.

## Ventilating Hoods

Clean range hood and filters frequently to prevent grease or other flammable materials from accumulating on hood or filter and to avoid grease fires.

When flaming foods under the hood, turn the fan on.

## Cleaning Safety

Clean cooktop with caution. Turn off all controls and wait for appliance parts to cool before touching or cleaning. Clean with caution. Use care to avoid steam burns if a wet sponge or cloth is used to wipe spills on a hot surface. Some cleaners can produce noxious fumes if applied to a hot surface.

Clean only parts listed in this guide.

## Self-Clean Oven

### CAUTION

Do not leave racks, broiling pan, food or cooking utensils, etc. in the oven during the self-clean cycle.

Do not clean door gasket. The door gasket is essential for a good seal. Care should be taken not to rub, damage, or move the gasket.

Do not use oven cleaners or oven liners of any kind in or around any part of the self-clean oven.

Before self-cleaning the oven, remove broiler pan, oven racks and other utensils, and wipe off excessive spillovers to prevent excessive smoke or flare ups.



# IMPORTANT SAFETY INSTRUCTIONS

---

## Important Safety Notice and Warning

The California Safe Drinking Water and Toxic Enforcement Act of 1986 (Proposition 65) requires the Governor of California to publish a list of substances known to the State of California to cause cancer or reproductive harm, and requires businesses to warn customers of potential exposures to such substances.

Users of this appliance are hereby warned that when the oven is engaged in the self-clean cycle, there may be some low-level exposure to some of the listed substances, including carbon monoxide. Exposure to

these substances can be minimized by properly venting the oven to the outdoors by opening the windows and/or door in the room where the appliance is located during the self-clean cycle.

### **IMPORTANT NOTICE REGARDING PET BIRDS:**

Never keep pet birds in the kitchen or in rooms where the fumes from the kitchen could reach. Birds have a very sensitive respiratory system. Fumes released during an oven self-cleaning cycle may be harmful or fatal to birds. Fumes released due to overheated cooking oil, fat, margarine and overheated non-stick cookware may be equally harmful.



**Save These Instructions for Future Reference**

# SURFACE COOKING

## Surface Controls

Use to turn on the surface elements. An infinite choice of heat settings is available from **Low** to **High**. The knobs can be set on or between any of the settings.

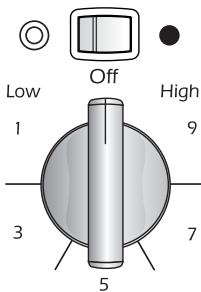
### Setting the Controls

1. Place pan on surface element.
2. Push in and turn the knob in either direction to the desired heat setting.
  - The control panel is marked to identify which element the knob controls. For example, the graphic at right indicates right front element.
3. There is an element indicator light on the control panel. When any surface control knob is turned on, the light will turn on. The light will turn off when all the surface elements are turned off.



When a control is turned on, a glow can be seen through the smoothtop surface. The element will cycle on and off to maintain the preset heat setting, even on **High**.

4. After cooking, turn knob to **Off**. Remove pan.



### Dual Elements

The cooking surface has two dual elements located in the right front and left front of the smoothtop. This allows you to change the size of these elements.

Press the switch to the left to use the large element or to the right to use the small element. The selection should be made before turning on the element.

## Suggested Heat Settings

The size, type of cookware and cooking operation will affect the heat setting. For information on cookware and other factors affecting heat settings, refer to Cookware Recommendations on page 7 and "Cooking Made Simple" booklet.

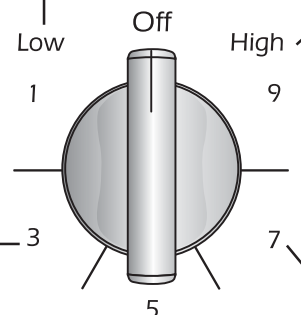
**Low (1):** Use to keep foods warm and melt chocolate and butter.

**High (9):** Use to bring liquid to a boil. Always reduce setting to a lower heat when liquids begin to boil or foods begin to cook.

**Med. Low (3):** Use to continue cooking covered foods or steam foods.

**Medium (5):** Use to maintain slow boil for large amounts of liquids and for most frying operations.

**Med. High (7):** Use to brown meat, heat oil for deep fat frying or sauteing. Maintain fast boil for large amounts of liquids.



## CAUTION

### BEFORE COOKING

- Always place a pan on the surface unit before you turn it on. To prevent damage to range, never operate surface unit without a pan in place.
- **NEVER** use the cooktop as a storage area for food or cookware.

### DURING COOKING

- Be sure you know which knob controls which surface unit. Make sure you turned on the correct surface unit.
- Begin cooking on a higher heat setting then reduce to a lower setting to complete the operation. Never use a high heat setting for extended cooking.
- **NEVER** allow a pan to boil dry. This could damage the pan and the appliance.
- **NEVER** touch cooktop until it has cooled. Expect some parts of the cooktop, especially around the surface units, to become warm or hot during cooking. Use potholders to protect hands.

### AFTER COOKING

- Make sure surface unit is turned off.
- Clean up messy spills as soon as possible.

### OTHER TIPS

- If cabinet storage is provided directly above cooking surface, limit it to items that are infrequently used and can be safely stored in an area subjected to heat. Temperatures may be unsafe for items such as volatile liquids, cleaners or aerosol sprays.
- **NEVER** leave any items, especially plastic items, on the cooktop. The hot air from the vent may ignite flammable items, melt or soften plastics, or increase pressure in closed containers causing them to burst.
- **NEVER** allow aluminum foil, meat probes or any other metal object, other than a pan on a surface element, to contact heating elements.
- **NEVER** store heavy items above the cooktop that could fall and damage it.

# SURFACE COOKING

## Smoothtop Surface

### Smoothtop Surface Notes:

- **Cooktop may emit light smoke and odor** the first few times the cooktop is used. This is normal.
- **Smoothtop cooktops retain heat for a period of time after the element is turned off.** Turn the elements off a few minutes before food is completely cooked and use the retained heat to complete cooking. When the hot surface light turns off, the cooking area will be cool enough to touch. Because of the way they retain heat, the smoothtop elements will not respond to changes in settings as quickly as coil elements.
- In the event of a potential boilover, remove the pan from the cooking surface.
- **Never attempt to lift the cooktop.**
- The smoothtop surface may appear discolored when it is hot. This is normal and will disappear when the surface cools.

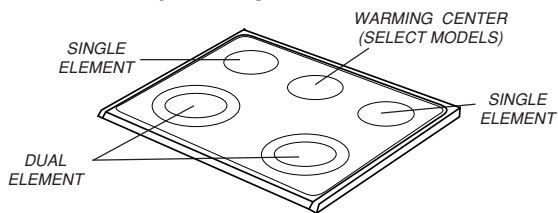
### Cooking Areas

The cooking areas on your range are identified by permanent circles on the smoothtop surface. For most efficient cooking, fit the pan size to the element size.

**Pans should not extend more than 1/2 to 1-inch beyond the cooking area.**

When a control is turned on, a glow can be seen through the smoothtop surface. **The element will cycle on and off to maintain the preset heat setting, even on Hi.**

For more information on cookware, refer to Cookware Recommendations on page 7 and "Cooking Made Simple" booklet included with your range.



### Hot Surface Light

The Hot Surface indicator light is located on the control panel. The light will be illuminated when any cooking area is hot. It will remain on, even after the control is turned off, until the area has cooled.

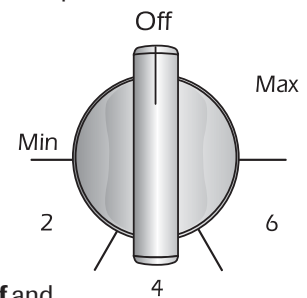


### Warming Center (select models)

Use the Warming Center to keep cooked foods warm, such as vegetables, gravies and oven-safe dinner plates.

#### Setting the Control:

1. Push in and turn the knob. Warming temperatures are approximate and are indicated on the control as **Min**, **2**, **4**, **6** and **Max**. However, the control can be set to any position between **Min** and **Max**.



2. When done, turn the control to **Off** and remove food. The Hot Surface indicator light will go off when the Warming Center surface has cooled.

#### Notes:

- **Never** warm food for longer than one hour (eggs for 30 minutes), as food quality may deteriorate.
- Do not heat cold food on the Warming Center.
- Heat settings will vary depending on type and amount of food. Always hold food at proper food temperatures. USDA recommends food temperatures between 140°-170° F.

#### Suggested Settings

Setting	Type of food	
<b>Min - 2</b>	Breads/Pastries Casseroles	Gravies Eggs
<b>2 - 6</b>	Meats Soups (Cream) Stews	Dinner Plate with Food Sauces Vegetables
<b>6 - Max</b>	Fried Foods Soups (Liquid)	Hot Beverages

### Warming Center Notes:

- Use only cookware and dishes recommended as safe for oven and cooktop use.
- Always use oven mitts when removing food from the Warming Center as cookware and plates will be hot.
- All foods should be covered with a lid or aluminum foil to maintain food quality.
- When warming pastries and breads the cover should have an opening to allow moisture to escape.
- Do not use plastic wrap to cover foods. Plastic may melt on to the surface and be very difficult to clean.

# SURFACE COOKING

## Tips to Protect the Smoothtop Surface

### Cleaning (see page 25 for more information)

- Before first use, clean the cooktop.
- Clean your cooktop daily or after each use. This will keep your cooktop looking good and can prevent damage.
- If a spillover occurs while cooking, immediately clean the spill from the cooking area while it is hot to prevent a tough cleaning chore later. Using extreme care, wipe spill with a clean dry towel.
- Do not allow spills to remain on the cooking area or the cooktop trim for a long period of time.
- **Never** use abrasive cleansing powders or scouring pads which will scratch the cooktop.
- **Never** use chlorine bleach, ammonia or other cleansers not specifically recommended for use on glass-ceramic.

### To Prevent Marks & Scratches

- Do not use glass pans. They may scratch the surface.
- **Never** place a trivet or wok ring between the surface and pan. These items can mark or etch the top.
- Do not slide aluminum pans across a hot surface. The pans may leave marks which need to be removed promptly. (See Cleaning, page 25.)
- Make sure the surface and the pan bottom are clean before turning on to prevent scratches.
- To prevent scratching or damage to the glass-ceramic top, do not leave sugar, salt or fats on the cooking area. Wipe the cooktop surface with a clean cloth or paper towel before using.
- **Never** slide heavy metal pans across the surface since these may scratch.

### To Prevent Stains

- **Never** use a soiled dish cloth or sponge to clean the cooktop surface. A film will remain which may cause stains on the cooking surface after the area is heated.
- Continuously cooking on a soiled surface may/will result in a permanent stain.

### To Prevent Other Damage

- Do not allow plastic, sugar or foods with high sugar content to melt onto the hot cooktop. Should this happen, clean immediately. (See Cleaning, page 25.)
- **Never** let a pan boil dry as this will damage the surface and pan.

- **Never** use cooktop as a work surface or cutting board.
- **Never** cook food directly on the surface.
- Do not use a small pan on a large element. Not only does this waste energy, but it can also result in spillovers burning onto the cooking area which requires extra cleaning.
- Do not use non-flat specialty items that are oversized or uneven such as round bottom woks, rippled bottom and/or oversized canners and griddles.
- Do not use foil or foil-type containers. Foil may melt onto the glass. If metal melts on the cooktop, do not use. Call an authorized Jenn-Air Servicer.

## Cookware Recommendations

Using the right cookware can prevent many problems, such as food taking longer to cook or achieving inconsistent results. Proper pans will reduce cooking times, use less energy, and cook food more evenly.

### Flat Pan Tests

See if your pans are flat.

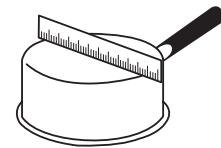
#### The Ruler Test:

1. Place a ruler across the bottom of the pan.
2. Hold it up to the light.
3. Little or no light should be visible under the ruler.

#### The Bubble Test:

1. Put 1 inch of water in the pan. Place on cooktop and turn control to **High**.
2. Watch the formation of the bubbles as the water heats. Uniform bubbles mean good performance, and uneven bubbles indicate hot spots and uneven cooking.

See "Cooking Made Simple" booklet for more information.



Select	Avoid
Flat, smooth-bottom pans.	Pans with grooved or warped bottoms. Pans with uneven bottoms do not cook efficiently and sometimes may not boil liquid.
Heavy-gauge pans.	Very thin-gauge metal or glass pans.
Pans that are the same size as the element.	Pans smaller or larger than the element by 1 inch.
Secure handles.	Cookware with loose or broken handles. Heavy handles that tilt the pan.
Tight-fitting lids.	Loose-fitting lids.
Flat bottom woks.	Woks with a ring-stand bottom.



# SURFACE COOKING

## **Canning and Oversize Cookware**

**All canners and large pots must have flat bottoms and must be made from heavy-gauge materials.** This is critical on smoothtop surfaces. The base must not be more than 1 inch larger than the element.

When canners and pots do not meet these standards, cooking times may be longer, and cooktops may be damaged.

Some canners are designed with smaller bases for use on smoothtop surfaces.

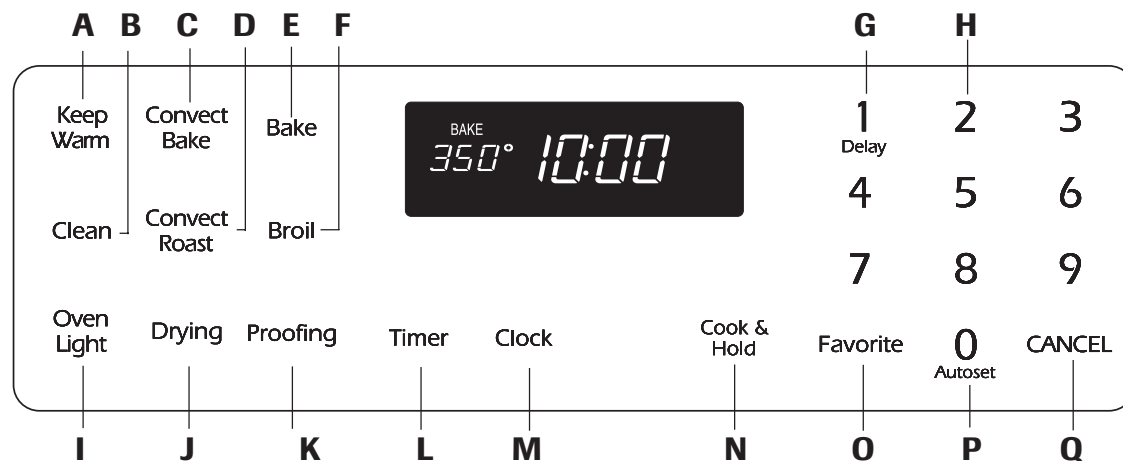
**When canning, use the High heat setting only until the water comes to a boil** or pressure is reached in the canner. Reduce to the lowest heat setting that maintains the boil or pressure. If the heat is not turned down, the cooktop may be damaged.

See “Cooking Made Simple” booklet for more information.



# OVEN COOKING

## Control Panel



The control panel is designed for ease in programming. The display window on the control shows time of day, timer and oven functions. Control panel shown includes Convect and other model specific features. (Styling may vary depending on model.)

<b>A</b>	Keep Warm	Use to keep cooked food warm in oven.
<b>B</b>	Clean	Use to set self-clean cycle.
<b>C</b>	Convect Bake (select models)	Use for convection baking.
<b>D</b>	Convect Roast (select models)	Use for convection roasting.
<b>E</b>	Bake	Use for baking and roasting.
<b>F</b>	Broil	Use for broiling and top browning.
<b>G</b>	Delay	Programs the oven to start baking or cleaning at a later time.
<b>H</b>	Number Pads	Use to set time and temperature.
<b>I</b>	Oven Light	Use to turn the oven light on or off.
<b>J</b>	Drying (select models)	Use for drying fruits, vegetables, herbs, etc.
<b>K</b>	Proofing (select models)	Use to raise yeast-based bread products before baking.
<b>L</b>	Timer	Sets the timer.
<b>M</b>	Clock	Use to set time-of-day clock.
<b>N</b>	Cook & Hold	Bakes for a preset time, then holds food warm for 1 hour.
<b>O</b>	Favorite	Use to set and save a specific Cook & Hold procedure.
<b>P</b>	Autoset	Use to quickly set temperature.
<b>Q</b>	CANCEL	Cancels all operations except Timer and Clock.

## Using the Touchpads

- Press the desired pad.
- Press the number pads to enter time or temperature.
- Press the Autoset 0 pad to enter temperature.
- A beep will sound when any pad is touched.
- A double beep will sound if a programming error occurs.

**Note:** Four seconds after entering the number, the time or temperature will automatically be entered. If more than 30 seconds elapse between touching a function pad and the number pads, the function will be canceled and the display will return to the previous display.

## Clock

The clock can be set to display time in a 12-hour or 24-hour format. The clock is set at the factory for the 12-hour format.

### To change the clock to 24-hour format:

1. Press and hold the CANCEL and Favorite pads for three seconds.
  - 12 Hr flashes in the display.
2. Press the Autoset 0 pad to select 24 Hr; press again to select 12 Hr.
3. Set the time of day following the directions in the To set the Clock section.

CANCEL

Favorite

0

Autoset

# OVEN COOKING

## To set the Clock:

1. Press the Clock pad.
  - The time of day flashes in the display.
2. Press the appropriate number pads to set the time of day.
  - Colon flashes in the display.
3. Press the Clock pad again or wait four seconds.
  - The colon will remain on.



When electrical power is supplied or after a power interruption, the last clock time before power was interrupted will flash.

To recall the time of day when another time function is showing, press the Clock pad.

Clock time cannot be changed when the oven has been programmed for Delay cook or clean or Cook & Hold.

## To cancel the Clock display:

If you do not want the time of day to display:

Press and hold the CANCEL and Clock pads for three seconds. The time of day will disappear from the display.



When the clock display is canceled, press the Clock pad to briefly display the time of day.



When the clock display is canceled, after 15 minutes, the oven control will go into **Standby Mode** to save energy. The display will be blank and the oven light will not operate. To "wake up" the control from Standby Mode, press any touchpad. A double beep will sound.

## To restore the Clock display:

Press and hold the CANCEL and Clock pads for three seconds. The time of day will reappear in the display.

## Timer

The timer can be set from one minute (0:01) up to 99 hours and 59 minutes (99:59).

The timer can be used independently of any other oven activity. It can also be set while another oven function is operating.

The Timer does not control the oven. It only controls a beeper.

## To set the Timer:

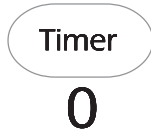
1. Press the Timer pad.
  - 0:00 and TIMER flash in the display.
2. Press the appropriate number pads until the correct time appears in the display.
  - The colon and TIMER will continue to flash.



3. Press Timer pad again or wait four seconds.
  - The colon stops flashing and the time begins counting down.
  - The last minute of the timer countdown will be displayed in seconds.
4. At the end of the set time, one long beep will sound and "End" will be displayed.
5. Press the Timer pad to clear the display.

## To cancel the Timer:

1. Press and hold the Timer pad for three seconds.  
OR
2. Press the Timer pad and press '0' using the number pads.



## Locking the Control and Oven Door

The touchpad and oven door can be locked for safety, cleaning, or to prevent unwanted use. The touchpads will not function when locked.

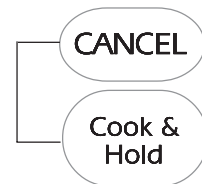
If the oven is currently in use, the touchpads and door cannot be locked.

The current time of day will remain in the display when the touchpads and door are locked.

## To lock:

Press and hold the CANCEL and Cook & Hold pads for three seconds. (Press CANCEL pad first.)

- OFF appears in the display.
- LOCK flashes while the door is locking.



## To unlock:

Press and hold the CANCEL and Cook & Hold pads for three seconds. (Press CANCEL pad first.) OFF disappears from the display.

**Note:** The touchpads and oven door cannot be locked if the oven temperature is 400° F or above.

## Fault Codes

BAKE or LOCK may flash rapidly in the display to alert you if there is an error or a problem. If BAKE or LOCK flash in the display, press the CANCEL pad. If BAKE or LOCK continue to flash, disconnect power to the appliance. Wait a few minutes, and then reconnect power. If the flashing still continues, disconnect power to the appliance and call an authorized servicer.

# OVEN COOKING

## Baking

### To set Bake:

1. Press the Bake pad.
  - BAKE will flash.
  - 000 will flash in the display.
2. Select the oven temperature. Press the Autose 0 pad for 350° F or the appropriate number pads.
  - Each additional press of the Autose 0 pad will increase the temperature by 25°.
  - The oven temperature can be set from 170° to 550°.
3. Press Bake pad again or wait four seconds.
  - BAKE will stop flashing and light in the display.

Bake

0  
Autose



- 100° or the actual oven temperature if over 100° F will display. It will rise in 5° increments until the preset temperature is reached.
4. Allow the oven to preheat for 8-15 minutes.
    - When the set oven temperature is reached, one long beep will sound.
    - The set temperature will display.
    - To recall set temperature during preheat, press Bake pad.
  5. Place food in the oven.
  6. Check cooking progress at the minimum cooking time. Cook longer if needed.
  7. When cooking is finished, press CANCEL pad.
  8. Remove food from the oven.

CANCEL

### Baking Notes:

- **To change the oven temperature during cooking**, press Bake, then press the Autose 0 pad or appropriate number pads until the desired temperature is displayed.
- **To change the oven temperature during preheat**, press the Bake pad **twice**, then press the Autose 0 pad or appropriate number pads until the desired temperature is displayed.
- If you forget to turn off the oven, it will automatically turn off at the end of 12 hours. If you wish to deactivate this feature, see page 18.
- For additional baking and roasting tips, see "Cooking Made Simple" booklet.

## Baking Differences Between Your Old and New Oven

It is normal to notice some baking time differences between a new oven and an old one. See "Adjusting the Oven Temperature" on page 19.

## Baking with Convection (select models)

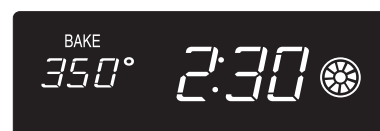
**When convection baking, enter your normal baking temperature.** The control will automatically reduce the set oven temperature by 25°. The entered temperature will be displayed.

### To set Convection Bake:

1. Press the Convection Bake pad.
  - BAKE and the FAN icon will flash
  - 000 will flash in the display.
2. Select the oven temperature. Press the Autose 0 pad for 350° F or the appropriate number pads.
  - Each additional press of the Autose 0 pad will increase the temperature by 25 degrees. The oven temperature can be set from 170° to 550°.
3. Press Convection Bake pad again or wait four seconds.
  - BAKE will stop flashing.
  - 100° or the actual oven temperature if over 100° F will display. It will rise in 5° increments until the preset temperature is reached.
  - The FAN icon will start to rotate.
4. Allow the oven to preheat for 8-15 minutes.
  - When the set oven temperature is reached, one long beep will sound.
  - The set temperature will display.
  - To recall the set temperature during preheat, press the Convection Bake pad.

Convection  
Bake

0  
Autose



5. Place food in the oven.
6. Check cooking progress at the minimum cooking time. Cook longer if needed.
7. When cooking is finished, press CANCEL pad.
8. Remove food from the oven.

CANCEL

# OVEN COOKING

## Roasting With Convection

(select models)

**When convection roasting, enter your normal roasting time and temperature.** The control will automatically prompt you to check the food for doneness at 75% of the set time.

### Roasting Notes:

- When convection roasting, the cooking time must be set before setting the temperature.
- If your recipe requires a preheated oven, add 15 minutes to the cooking time programmed.
- Roasting times can vary with different cuts of meat.
- It is not necessary to preheat when convection roasting large cuts of meat.
- Refer to “Cooking Made Simple” booklet for suggested roasting temperatures and times.

### To set Convection Roast:

1. Press the Convection Roast pad.
  - ROAST and the FAN icon will flash.
  - 00:00 will flash in the display.
  - 000 lights in the display.
2. Enter the roasting time using the number pads.
  - Time can be set from 10 minutes (00:10) to 11 hours, 59 minutes (11:59).
  - Press Convection Roast pad again or wait 4 seconds.
  - ROAST and the FAN icon flash in the display.
  - 000 will flash in the display.
3. Select the oven temperature. Press the Autoset 0 pad for 325° F or the appropriate number pads.
  - Each additional press of the Autoset 0 pad will increase the temperature by 25°.
  - The oven temperature can be set from 170° to 550°.

Convection  
Roast

0  
Autoset

4. Press Convection Roast pad again or wait four seconds.
  - ROAST will stop flashing and light in the display.
  - 100° or the actual oven temperature will display. It will rise in 5° increments until the preset temperature is reached.
  - The FAN icon will start to rotate.



### Notes:

- If a preheat is required, allow the oven to preheat for 8-15 minutes.
- When the set oven temperature is reached, one long beep will sound.

5. Place food in the oven.
  - Time will start counting down once oven starts heating up.
  - To recall the set temperature during preheat, press the Convection Roast pad.
6. When 75% of the set cooking time has elapsed, the oven light will turn on and FOOD will flash in the display. Check the cooking progress at this time. Cook longer if needed.
  - The oven light will remain on until the Oven Light pad is pressed.
  - Press any pad to recall the cook time remaining.
7. When cooking is finished, press CANCEL pad.
8. Remove food from the oven.

CANCEL

# OVEN COOKING

## Cook & Hold

When using the **Cook & Hold** option, the oven begins to heat immediately after the control has been set. Then, the oven cooks for a specified length of time. When that time has elapsed, the oven will keep the food warm for up to an hour then automatically turn off.

### To set Cook & Hold:

1. Press the Cook & Hold pad.
  - HOLD will flash to indicate that you are in Cook & Hold programming.
  - 00:00 will flash in the display.
2. Select the amount of time you want to cook by using the number pads.
  - HOLD continues to flash.
  - The time will light in the display.
  - Time can be set from ten minutes (00:10) to 11 hours, 59 minutes (11:59).
3. While HOLD is still flashing, press Bake, Convection Bake or Convection Roast (select models) and select the oven temperature. Press the Autoselect 0 pad for 350° F or the appropriate number pads.
  - The desired function word will flash.
  - The oven temperature can be set from 170° F to 550° F.
4. Press the desired function pad again OR wait four seconds.
  - The desired function word will remain lit.
  - The cooking time will show in the display.
  - The actual oven temperature will be displayed during preheat.
  - The set temperature will display when the oven is preheated.

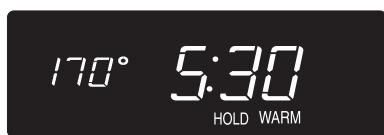
Cook & Hold

Bake

0  
Autoselect

### When the cooking time has elapsed:

- Four beeps will sound.
- HOLD and WARM will light.
- 170° will display.
- Time of day will display.



### After one hour in HOLD WARM:

- The oven turns off automatically.
- HOLD and WARM go off.
- Remove food from oven.

### To cancel Cook & Hold at any time:

Press the CANCEL pad. Remove food from oven.

CANCEL

## Delay Cook & Hold

### ! CAUTION

Do not use delayed baking for highly perishable foods such as dairy products, pork, poultry, or seafood.

When using **Delay**, the oven begins to cook later in the day. Set the amount of time that you want to delay before the oven turns on and how long you want to cook. The oven begins to heat at the selected time and cooks for the specified length of time.

Delay time can be set from 10 minutes (00:10) to 11 hours, 59 minutes (11:59).

### To set a Delayed Cook & Hold cycle:

1. Press the 1 Delay pad.
  - DELAY flashes in the display.
  - 00:00 flashes in the display.
2. Using the appropriate number pads, **enter the amount of time you want to delay** the start of the Cook & Hold cycle.
3. Press the Cook & Hold pad.
  - HOLD and DELAY flash in the display.
  - 00:00 flashes in the display.
4. Enter **the amount of time you want to cook** using the number pads.
5. Press Bake, Convection Bake or Convection Roast pad (select models).
6. **Set the oven temperature** desired by pressing the Autoselect 0 pad or the appropriate number pads.
  - 350° will light when Autoselect 0 pad is pressed.
  - After four seconds, the entered delay time will appear in the display.
  - HOLD turns off.
  - BAKE and DELAY remain lit to remind you that a delayed Cook & Hold cycle has been programmed.

1  
Delay

Cook & Hold

0  
Autoselect



### Notes:

- Do not use Delayed Cook & Hold for items that require a preheated oven, such as cakes, cookies, and breads.
- Do not use Delayed Cook & Hold if oven is already hot.

# OVEN COOKING


## Broiling

### To set Broil:

- Press the Broil pad. 
  - BROIL and SET flash in the display.
- Press the Autoset 0 pad once to set HI broil or twice to set LO broil. 
  - HI or LO will be displayed.
  - Select HI broil (550° F) for normal broiling. Select LO broil (450° F) for low-temperature broiling of longer cooking foods such as poultry.
- After four seconds, the oven will start.
  - BROIL will remain lit.
  - HI or LO will remain lit.



- For optimum browning, preheat broil element for 3-4 minutes before adding food.
- Place food in the oven. Leave oven door open about four inches (the first stop).

- Turn meat once about halfway through cooking.
- When food is cooked, press the CANCEL pad. 
  - The time of day will reappear in the display.

### Broil Notes:

- For best results when broiling, use a pan designed for broiling.
- Expect broil times to increase and browning to be slightly lighter if appliance is installed on a 208-volt circuit.
- HI is used for most broiling. Use LO broil when broiling longer cooking foods. The lower temperature allows food to cook to the well done stage without excessive browning.
- Broil times may be longer when the lower broiling temperature is selected.
- Most foods should be turned halfway through broiling time.
- For additional broiling tips and temperatures, refer to the "Cooking Made Simple" booklet.

## Broiling Chart

FOODS	RACK POSITION	APPROX. TIME FIRST SIDE	APPROX. TIME SECOND SIDE
<b>Beef</b> Steak, 1" thick, Medium Well Hamburgers, 3/4" thick, Well	6 6 6 or 7	8 minutes 10 minutes 9 minutes	7 - 12 minutes 8 - 14 minutes 6 - 9 minutes
<b>Pork</b> Bacon Chops, 1" Ham Slice	6 6 6	6 - 10 minutes 10 - 11 minutes 5 minutes	(no turning) 12 - 14 minutes 3 - 7 minutes
<b>Poultry</b> Breast Halves	4	LO Broil 15 minutes	LO Broil 15 - 25 minutes
<b>Seafood</b> Fish Steaks, buttered, 1" thick Lobster Tails, 3-4 oz. each	6 5	10 - 15 minutes 7 - 10 minutes	(no turning) (no turning)

**Note:** This chart is a suggested guide. The times may vary with the food being cooked.

# OVEN COOKING

## Keep Warm

For safely keeping hot foods warm or for warming breads and plates.

### To set Keep Warm:

1. Press the Keep Warm pad.
  - WARM flashes in the display.
  - 000 flashes in the display.
2. Select the Keep Warm temperature. Press the Autose 0 pad or the appropriate number pads.
  - 170° will light when the Autose 0 pad is pressed.
  - Each press of the Autose 0 pad will increase the temperature by 5°.

The Keep Warm temperature can be set from 145° to 190°.

WARM and the temperature will be displayed while the function is active.



### To cancel Keep Warm:

1. Press the CANCEL pad.
2. Remove food from the oven.

CANCEL

### Keep Warm Notes:

- For optimal food quality, oven cooked foods should be kept warm for no longer than 1 to 2 hours.
- To keep foods from drying, cover loosely with foil or a lid.
- **To warm dinner rolls:**
  - cover rolls loosely with foil and place in oven.
  - press Keep Warm and Autose 0 pads.
  - warm for 15-20 minutes.
- **To warm plates:**
  - place 2 stacks of up to four plates each in the oven.
  - press Keep Warm and Autose 0 pads.
  - warm for five minutes, turn off the oven and leave plates in the oven for 15 minutes more.
  - use only oven-safe plates, check with the manufacturer.
  - do not set warm dishes on a cold surface as rapid temperature changes could cause crazing or breakage.

# OVEN COOKING

## Drying (select models)

For best results, use a drying rack. A drying rack allows air to circulate evenly around the food.

The convection fan will operate during the drying procedure.

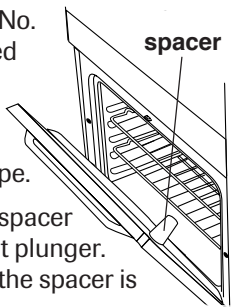
### To set Drying:

1. Place food in the oven.

- Open the oven door slightly.

The oven door needs to be opened slightly to allow moisture to escape from the oven during the drying process.

- Place the magnetic door spacer (Part No. 8010P146-60) on the slightly recessed circular area on the upper right of the oven door. The spacer provides a gap between the oven frame and the oven door allowing moisture to escape.
- Gently close the oven door until the spacer rests against the oven frame and light plunger. The oven light will remain OFF when the spacer is in the correct location.



**Note:** If the spacer is not placed correctly, the convection fan will not operate.

2. Press the Drying pad.

Drying

- DRY flashes in the display.

3. Press the Autose t 0 pad for 140° F or press the appropriate number pads for the desired drying temperature.

- Pressing the Autose t 0 pad will increase the temperature in 10 degree increments.
- The temperature may be set between 100° - 200° F.

0  
Autose t

4. After four seconds, DRY and the set temperature will appear in the display.

5. When drying is complete, turn the oven off by pressing the CANCEL pad.

CANCEL

Follow the Drying Guide on page 17 for drying times. Check foods at minimum times given. Cool foods to room temperature before testing for doneness.

### Drying Notes:

- To purchase a drying rack, contact your Jenn-Air dealer for the "DRYINGRACK" Accessory Kit or call 1-800-JENNAIR.
- Most fruits and vegetables dry well and retain their color when dried at 140° F. Meat and jerky should be dried at 145° - 150° F. For optimal flavor, dry herbs at 100° F, however, at this lower temperature expect extended drying times of up to 8 hours.
- The length of drying times vary due to the following: Water and sugar content of food, size of food pieces, amount of food being dried, humidity in the air.
- Check foods at the minimum drying time. Dry longer if necessary.
- Fruits that turn brown when exposed to air should be treated with an antioxidant. Try one of the following methods:
  1. Dip fruit in a mixture of two parts bottled lemon juice to one part cool water.
  2. Soak fruit in a solution of 1 tsp. ascorbic acid or commercial antioxidant to 1 quart of cold water.
- Foods may drip during the drying process. After drying high acid or sugary foods, clean the oven bottom with soap and water. The porcelain oven finish may discolor if acidic or sugary food soils are not wiped up prior to high heat or a self-cleaning cycle.
- More than one rack of food may be dried at the same time. However, additional drying time is needed.
- Refer to other resources at your local library or call your local County Extension service for additional information.

# OVEN COOKING

## Drying Guide (select models)

FRUITS	VARIETIES BEST FOR DRYING	PREPARATION	APPROX. DRY TIME at 140°F **	TEST FOR DONENESS AT MIN. DRY TIME
<b>Apples*</b>	Firm varieties: Graven Stein, Granny Smith, Jonathan, Winesap, Rome Beauty, Newton.	Wash, peel if desired, core and slice into 1/8" slices.	4-8 hours	Pliable to crisp. Dried apples store best when they are slightly crisp.
<b>Apricots*</b>	Blenheim/Royal most common. Tilton also good.	Wash, halve, and remove pits.	18-24 hours	Soft, pliable.
<b>Bananas*</b>	Firm varieties	Peel and cut into 1/4" slices.	17-24 hours.	Pliable to crisp.
<b>Cherries</b>	Lambert, Royal Ann, Napoleon, Van or Bing.	Wash and remove stems. Halve and remove pits.	18-24 hours.	Pliable and leathery.
<b>Nectarines and Peaches*</b>	Freestone varieties.	Halve and remove pits. Peeling is optional but results in better-looking dried fruit.	24-36 hours	Pliable and leathery.
<b>Pears*</b>	Bartlett	Peel, halve and core.	24-36 hours	Soft and pliable.
<b>Pineapple</b>	Fresh or canned.	Wash, peel and remove thorny eyes. Slice length wise and remove the small core. Cut crosswise into 1/2" slices.	Canned: 14-18 hours Fresh: 12-16 hours	Soft and pliable.
<b>Orange and Lemon Peel</b>	Select rough-skinned fruit. Do not dry the peel of fruit marked "color added".	Wash well. Thinly peel the outer 1/16 to 1/8" of the peel. Do not use the white bitter pith under the peel.	1-2 hours	Tough to brittle.
<b>VEGETABLES</b>				
<b>Tomatoes</b>	Plum, Roma	Halve, remove seeds. Place tomatoes skin side up on rack. Prick skins.	12-18 hours	Tough to crisp.
<b>Carrots</b>	Danvers Half Long, Imperator, Red Cored Chantenay	Do not use carrots with woody fiber or pithy core. Wash, trim tops and peel if desired. Slice crosswise or diagonally into 1/4" slices. Steam blanch for 3 min.	4-8 hours	Tough to brittle.
<b>Hot Peppers</b>	Ancho, Anaheim	Wash, halve and seed. Prick skin several times.	4-6 hours	Pods should appear shriveled dark red and crisp.
<b>HERBS</b>				
<b>Parsley, Mint, Cilantro, Sage, Oregano</b>		Rinse in cold water. Pat dry with a paper towel. Leave stems on until leaves are dry, then discard.	1-3 hours	Brittle and crumbly.
<b>Basil</b>		Cut leaves 3 to 4" from top of plant just as buds appear. Rinse leaves in cold water.	2-5 hours	Brittle and crumbly.

\*Fruits requiring an antioxidant to prevent discoloration and loss of nutrients. Refer to the notes on page 16 for specific methods.

\*\* 12 Hour Off will not occur during drying functions.

# OVEN COOKING

## Proofing (select models)

Use the Proofing feature to raise yeast-based bread products before baking. Proofing in the oven protects dough from room temperature changes or drafts that commonly affect proofing done on the countertop.

1. Press the Proofing pad.
  - PROOF flashes in the display.
  - SET flashes in the display.
2. Press the Autoset 0 pad.
  - PROOF will light in the display.
3. When proofing is complete, press the CANCEL pad.

Proofing

CANCEL

## Automatic Shut-Off/Sabbath Mode

The oven will automatically turn off after 12 hours if you accidentally leave it on. This safety feature can be turned off.

### To cancel the 12-hour shut-off and run the oven continuously for 72 hours:

1. Press and hold the Clock pad for five seconds
  - SAb will be displayed and flash for five seconds.
  - SAb will then be displayed continuously until turned off or until the 72-hour time limit is reached.
  - BAKE will also be displayed if a bake cycle is in use while the oven is in Sabbath Mode.
  - All functions EXCEPT BAKE (Timer, Keep Warm, Clean, etc.) are locked out during the Sabbath Mode.
  - A Cook & Hold can be programmed during the Sabbath Mode, however a Delay Cook & Hold is not allowed.

Clock

### To cancel the Sabbath Mode:

1. Press the CLOCK pad for five seconds.
    - SAb will flash for five seconds.
    - The time of day will return to the display.
- OR
2. After 72 hours, the Sabbath Mode will end.
    - SAb will flash for five seconds.
    - The time of day will return to the display.

Clock

### Sabbath Mode Notes:

- Sabbath Mode can be turned on at any time with or without the oven on.
- Sabbath Mode cannot be turned on if the touchpads are locked out or when the door is locked.
- Most prompts and messages and all beeps are deactivated when Sabbath Mode is active.
- If the oven is baking when Sabbath Mode is set, BAKE will go out when Bake is canceled. There will be no audible beeps.
- The oven light will not automatically come on when the oven door is opened while the oven is in Sabbath Mode. If the oven light is desired while in Sabbath Mode, it must be turned on before the Sabbath Mode is started.
- When the Sabbath Mode is started, the temperature display will immediately show the set temperature, rather than the actual oven cavity temperature. No preheat beep will sound.
- The self-clean cycle and automatic door lock do not operate during the Sabbath Mode.
- Pressing CANCEL pad will cancel a bake cycle, however the control will stay in the Sabbath Mode.
- If power fails, the oven will power up in Sabbath Mode with 72 hours remaining and no cycle active.

# OVEN COOKING

## Adjusting the Oven Temperature

Oven temperatures are carefully tested for accuracy at the factory. It is normal to notice some baking or browning differences between a new oven and an old one. As ovens get older, the oven temperature can shift.

You may adjust the oven temperature if you think the oven is not baking or browning correctly. To decide how much to change the temperature, set the temperature 25 degrees higher or lower than your recipe recommends, then bake. The results of the “test” should give you an idea of how much to adjust the temperature.

### To adjust the oven temperature:

**Bake**

1. Press the Bake pad.
2. Enter 550° by pressing the appropriate number pads.
3. Press and hold the Bake pad for several seconds or until 00° appears in the display.

If the oven temperature was previously adjusted, the change will be displayed. For example, if the oven temperature was reduced by 15° the display will show “-15”.

4. Press the Autoset 0 pad to adjust the temperature.

Each time the Autoset 0 pad is pressed, the temperature changes by 5°. The oven temperature can be increased or decreased by 5° to 35°.

Pressing the Autoset 0 pad will first cycle through increasing the oven temperature (5, 10, . . . 35). Continuing to press the Autoset 0 pad will then cycle through decreasing the oven temperature (-35, -30, . . . -5).

5. The time of day will automatically reappear in the display.

You do not need to readjust the oven temperature if there is a power failure or interruption. Temperature adjustment applies to Bake, Convection Bake and Convection Roast (select models) only. Broiling and cleaning temperatures cannot be adjusted.

## Changing Temp °F/°C

1. The factory default setting for temperature is Fahrenheit.
2. To change the setting, press and hold the CANCEL and Bake pads at the same time for three seconds.
3. A single beep will sound and the current setting will be displayed (°F or °C). (If no change is made, the range will return to the existing setting after 30 seconds.)
4. To change the setting, press the Autoset 0 pad. Press again to return to existing setting. Wait five seconds and the setting will be complete.

## Favorite

The Favorite pad allows you to save the time and temperature from a Cook & Hold function.

To set a Favorite cycle, Cook & Hold must be either active or just programmed.

### To set a new Favorite cycle or to save a currently running Cook & Hold as a Favorite:

1. Program a Cook & Hold cycle as described in the Cook & Hold section on page 13.
2. Press and hold the Favorite pad for three seconds. **Favorite**
  - The newly set or currently running Cook & Hold cycle will be saved.
  - A beep will sound to indicate that the control has accepted the Favorite setting.

### To start a cycle programmed into Favorite:

1. Press the Favorite pad.
  - Time and temperature for the set Cook & Hold cycle will be displayed. (If no Cook & Hold cycle has been programmed, “nonE” is displayed.)
2. Press the Bake, Convection Bake or Convection Roast (select models) pad.
  - The Favorite cycle will begin immediately.
  - The selected cycle word will light in the display
  - The cooking time will light in the display

### When the cooking time has elapsed:

- The selected cycle word will turn off.
- HOLD and WARM will light.
- 170° will display.

### To cancel a Favorite cycle in progress:

1. Press the CANCEL pad. **CANCEL**
  - The stored Favorite cycle will not be affected.
2. Remove food from the oven.

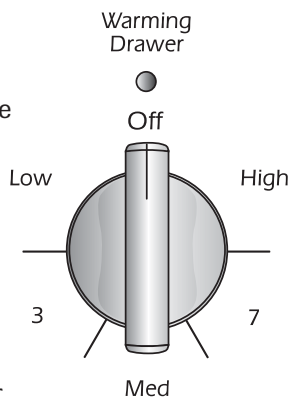
# OVEN COOKING

## Warming Drawer

The Warming Drawer is used for keeping hot foods at serving temperature. It may also be used for warming breads and pastries.

### Operating the Controls:

1. If using the rack, position it where needed.
2. Push in and turn the control knob to the desired setting.
3. Allow the drawer to preheat for ten minutes.
4. Place food in warming drawer.
5. When finished, turn the knob to **Off**. Remove food from the drawer.



### Warming Drawer Notes:

- Do not warm food for more than one hour (eggs 30 minutes) after cooking.
- Food must be at serving temperature before being placed in the drawer.
- Breads, pastries and fruit pies may be warmed from room temperature on **High** setting.
- Use only oven-safe cookware.
- Remove food from plastic bags and place in oven-safe cookware.
- Serving dishes and plates can be warmed while pre-heating the drawer.
- Cover food with a lid or aluminum foil. Do not use plastic wrap. ( Fried foods do not need to be covered.)

## Warming Chart

SUGGESTED SETTINGS			
Setting	Type of Food		
<b>Med - High</b>	Bacon	Beef - Rare	
	Casseroles	Cooked Cereals	
	Dinner Plate	Eggs	
	Enchiladas	Fish/Seafood	
	Fried Food	Gravy, Cream Sauces	
	Ham	Hamburger Patties	
	Hors d'oeuvres	Lamb	
	Pancakes	Pizza	
	Pork	Potatoes - Baked	
	Potatoes - Mashed	Poultry	
	Vegetables	Waffles	
	<b>Low - Med</b>	Biscuits	Coffee Cake
		Pies	Warming - Plates

# OVEN COOKING

## Oven Fan

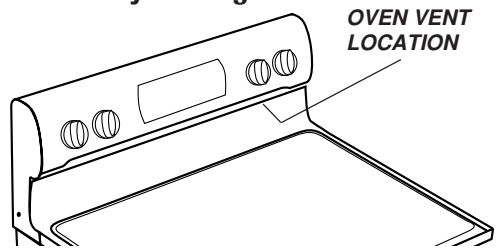
A convection fan is used to circulate hot air in the oven when the convection feature is selected.

**Note:** The convection fan will automatically stop when the oven door is opened.

## Oven Vent

When the oven is in use the area near the vent may become hot enough to cause burns. Never block the vent opening.

**The oven vent is located below the backguard vent shield on your range.**



Do not place plastics near the vent opening as heat from the vent could distort or melt the plastic.

## Oven Light

The oven light automatically comes on when the door is opened. When the door is closed, press the oven light pad to turn the oven light on and off. A beep will sound every time the Oven Light pad is pressed.

Oven Light

## Oven Bottom

Protect oven bottom against spillovers, especially acidic or sugary spills, as they may discolor the porcelain enamel. Use the correct pan size to avoid spillovers and boilovers. **Do not place utensils or aluminum foil directly on the oven bottom.**

## Oven Racks

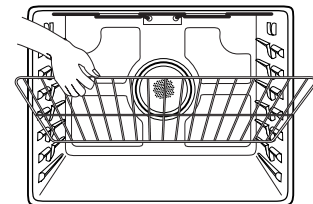
### CAUTION

- Do not attempt to change the rack position when the oven is hot.
- Do not use the oven for storing food or cookware.

The oven has two racks (three if convection). All racks are designed with a lock-stop edge.

### To remove:

1. Pull rack straight out until it stops at the lock-stop position.
2. Lift up on the front of the rack and pull out.



### To replace:

1. Place rack on the rack support in the oven
2. Tilt the front end up slightly. Slide rack back until it clears the lock-stop position.
3. Lower front and slide back into the oven.

**Never cover an entire rack with aluminum foil or place foil on the oven bottom. Baking results will be affected and damage may occur to the oven bottom.**

## Rack Positions

### RACK 7 (highest position):

For toasting bread or broiling thin, non-fatty foods.

**RACK 6:** Used for most broiling.

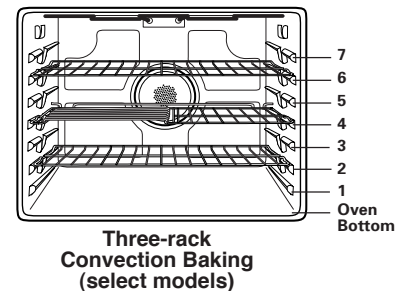
**RACK 5:** For multiple rack baking.

**RACK 4:** Used for most baked goods on a cookie sheet or jelly roll pan, fruit pies, or frozen convenience foods. Also use for broiling chicken pieces.

**RACK 3:** For casseroles, baking loaves of bread, bundt cakes or custard pies.

**RACK 2:** Used for roasting small cuts of meat, frozen pies, dessert souffles or angel food cake. Also use for multiple rack baking.

**RACK 1:** Used for roasting large cuts of meat and poultry.



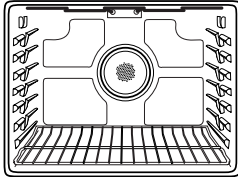
# OVEN COOKING

**Oven Bottom:** Place oven rack on raised sides of oven bottom. Use for additional space when cooking large oven meals.

**MULTIPLE RACK COOKING: Two rack:** Use rack positions 2 and 5.

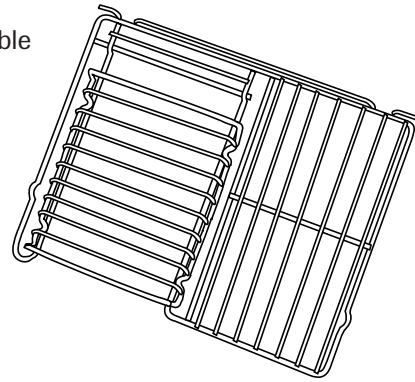
**Three rack (convection only):** Use rack positions 2, 4 and 6 (see illustration).

**Note:** When Convection baking on two or three racks (select models), check foods at the minimum suggested time to avoid over-browning or over-cooking.



## Create-A-Space™ Half Rack

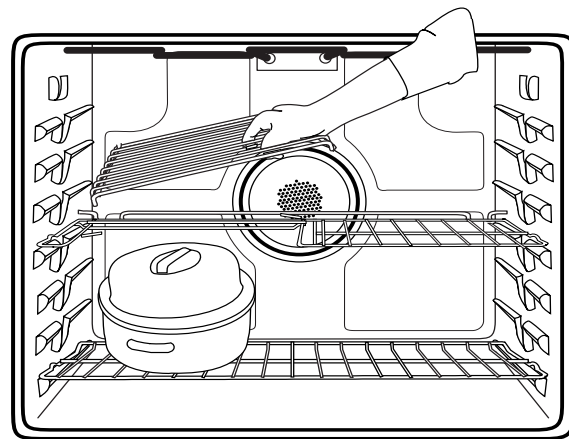
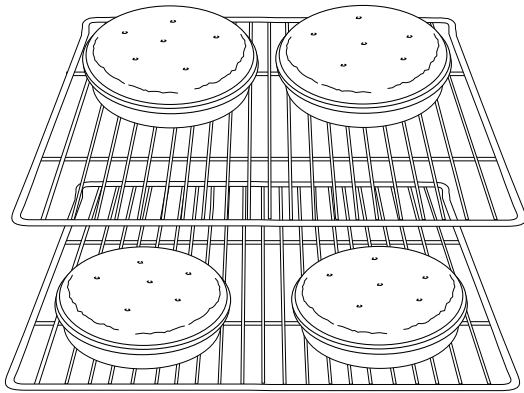
Select range models are equipped with a convertible half rack. The left side of the rack can be removed to accommodate a large roaster on the lower rack. The right side of the rack is still available to hold a casserole dish.



### Baking Layer Cakes on Two Racks

For best results when baking cakes on two racks, use racks 2 and 4 for regular baking and racks 2 and 5 for convection baking (select models).

Place the cakes on the rack as shown.



### Notes:

- The removable section of the rack can be used as a roasting rack in the broiling pan. Do not use the top insert when using the rack in the broiling pan.
- The removable section of the rack can be used as a cooling rack or trivet.
- Make sure oven is cool before removing or reinstalling the half rack.
- Do not use cookware that extends beyond edge of rack.
- For best results, allow two inches between the pan placed on the rack and the oven side wall.
- Use caution when removing items from the half rack to avoid burns.
- Carefully remove items from the lower rack to avoid disturbing the half rack.

# CARE & CLEANING

## Self-Clean Oven

### ! CAUTION

- It is normal for parts of the oven to become hot during a self-clean cycle.
- To prevent damage to oven door, do not attempt to open the door when LOCK is displayed.
- Avoid touching door, window or oven vent area during a clean cycle.
- Do not use commercial oven cleaners on the oven finish or around any part of the oven. They will damage the finish or parts.

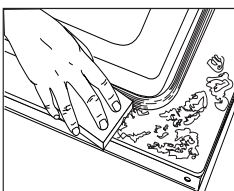
The self-clean cycle uses above-normal cooking temperatures to automatically clean the oven interior.

It is normal for flare-ups, smoking, or flaming to occur during cleaning if the oven is heavily soiled. It is better to clean the oven regularly rather than to wait until there is a heavy build-up of soil in the oven.

During the cleaning process, the kitchen should be well ventilated to get rid of normal odors associated with cleaning.

### Before Self-Cleaning

1. Turn off the oven light before cleaning. The oven light may burn out during the clean cycle.
2. Remove broiler pan, all pans, and oven racks from the oven. The oven racks will discolor and may not slide easily after a self-clean cycle if they are not removed.
3. Clean oven frame, door frame, area outside of gasket, and around the opening in the door gasket with a nonabrasive cleaner such as Bon Ami\* or detergent and water. The self-cleaning process does not clean these areas. They should be cleaned to prevent soil from baking on during the clean cycle. (The gasket is the seal around the oven door and window.)
4. To prevent damage, do not clean or rub the gasket around the oven door. The gasket is designed to seal in heat during the clean cycle.
5. Wipe up excess grease or spillovers from the oven bottom. This prevents excessive smoking, flare-ups or flaming during the clean cycle.
6. Wipe up sugary and acidic spillovers such as sweet potatoes, tomato, or milk-based sauces. Porcelain enamel is acid-resistant, not acid-proof. The porcelain finish may discolor if acidic or sugary spills are not wiped up before a self-clean cycle.



### To set Self-Clean:

**Note:** Oven temperature must be below 400° F to program a clean cycle.

1. Close the oven door.
2. Press the Clean pad.
  - CLEAN flashes.
  - SET flashes in the display.
3. Press the Autose 0 pad.
  - MEd (Medium Soil, 3 hours) is displayed.
4. Press the Autose 0 pad to scroll through the self-cleaning settings.
  - HVy (Heavy Soil, 4 hours)
  - MEd (Medium soil, 3 hours)
  - LITE ( Light Soil, 2 hours)

Choosing the soil level of the oven automatically programs the self-cleaning time.
5. After four seconds, the oven will start cleaning.
  - If the door is not closed, beeps will sound and “door” will display. If the door is not closed within 30 seconds, the self-cleaning operation will be canceled and the display will return to the time of day.
  - CLEAN will appear in the display.
  - LOCK will flash in the display. Once the door locks, the word will remain steady.
  - The cleaning time will start counting down in the display.



### To Delay a Self-Clean Cycle:

1. Press the Delay 1 pad.
  - DELAY flashes.
  - 00:00 will flash in the display.
2. Enter the amount of time you want to delay the cycle using the appropriate number pads.
3. Press the Clean pad.
  - SET flashes in the display.
4. Press the Autose 0 pad.
  - LITE (Light soil level) is displayed.



\* Brand names for cleaning products are registered trademarks of the respective manufacturers.

# CARE & CLEANING

5. Press the Autosest 0 pad to scroll through the self-cleaning settings.

HVy (Heavy Soil, 4 hours)

MEd (Medium Soil, 3 hours)

LITE (Light Soil, 2 hours)

Choosing the soil level of the oven automatically programs the self-cleaning time.

6. After four seconds, CLEAN and DELAY will light and LOCK will flash in the display. When the oven door latches, LOCK will stop flashing and light continuously to show that the oven is set for a delayed clean operation. The delay time will display.



## During the Self-Clean Cycle

When LOCK shows in the display, the door cannot be opened. To prevent damage to the door, do not force the door open when LOCK is displayed.

### Smoke and Smells

You may see some smoke and smell an odor the first few times the oven is cleaned. This is normal and will lessen in time.

Smoke may also occur if the oven is heavily soiled or if a broiler pan was left in the oven.

### Sounds

As the oven heats, you may hear sounds of metal parts expanding and contracting. This is normal and will not damage the oven.



## After Self-Cleaning

About one hour after the end of the self-clean cycle, LOCK will turn off. The door can then be opened.

**Some soil may leave a light gray, powdery ash.** Remove it with a damp cloth. If soil remains after wiping, that means the clean cycle was not long enough. The soil will be removed during the next clean cycle.

**If oven racks were left in the oven and do not slide smoothly after a clean cycle,** wipe racks and rack supports with a small amount of vegetable oil to make them easier to move.

**Fine lines may appear in the porcelain because it went through heating and cooling.** This is normal and will not affect performance.

**A white discoloration may appear after cleaning if acidic or sugary foods were not wiped up before the self-clean cycle.** This discoloration is normal and will not affect performance.

## Notes:

- If the oven door is left open, "door" will flash in the display and a signal will beep until the door is closed and the Clean pad is pressed again.
- If more than five seconds elapse between pressing the Clean pad and the Autosest 0 pad, the program will automatically return to the previous display.
- The oven door will be damaged if the oven door is forced to open when LOCK is still displayed.

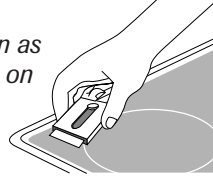
# CARE & CLEANING

## Cleaning Procedures

### ⚠ CAUTION

- Be sure appliance is off and all parts are cool before handling or cleaning. This is to avoid damage and possible burns.
- To prevent staining or discoloration, clean appliance after each use.
- If a part is removed, be sure it is correctly replaced.

\* Brand names are registered trademarks of the respective manufacturers.  
 \*\* To order call 1-800-JENNAIR (1-800-536-6247).

PART	PROCEDURE
<b>Backguard and Cooktop – Porcelain Enamel</b>	<p>Porcelain enamel is glass fused on metal and may crack or chip with misuse. It is acid resistant, not acid proof. All spillovers, especially acidic or sugary spillovers, should be wiped up immediately with a dry cloth.</p> <ul style="list-style-type: none"> <li>• When cool, wash with soapy water, rinse and dry.</li> <li>• Never wipe off a warm or hot surface with a damp cloth. This may cause cracking or chipping.</li> <li>• Never use oven cleaners, abrasive or caustic cleaning agents on exterior finish of range.</li> </ul>
<b>Broiler Pan and Insert</b>	<p><b>Never cover insert with aluminum foil as this prevents the fat from draining to the pan below.</b></p> <ul style="list-style-type: none"> <li>• Place soapy cloth over insert and pan; let soak to loosen soil.</li> <li>• Wash in warm soapy water. Use scouring pad to remove stubborn soil.</li> <li>• Broiler pan and insert can be cleaned in dishwasher.</li> </ul>
<b>Clock and Control Pad Area</b>	<ul style="list-style-type: none"> <li>• To activate “Control Lock” for cleaning, see page 10.</li> <li>• Wipe with a damp cloth and dry. Do not use abrasive cleaning agents as they may scratch the finish.</li> <li>• Glass cleaners may be used if sprayed on a cloth first. <b>DO NOT spray directly on control pad and display area.</b></li> </ul>
<b>Control Knobs</b>	<ul style="list-style-type: none"> <li>• Remove knobs in the OFF position by pulling forward.</li> <li>• Wash, rinse and dry. Do not use abrasive cleaning agents as they may scratch the finish.</li> <li>• Turn on each element to be sure the knobs have been correctly replaced.</li> </ul>
<b>Cooktop – Glass-Ceramic</b>	<p><b>Never use oven cleaners, chlorine bleach, ammonia or glass cleaners with ammonia.</b>  <b>NOTE: Call an authorized servicer if the glass-ceramic top should crack, break or if metal or aluminum foil should melt on the cooktop.</b></p> <ul style="list-style-type: none"> <li>• Allow the cooktop to cool before cleaning.</li> <li>• <b>General</b> – Clean cooktop after each use, or when needed, with a damp paper towel and Cooktop Cleaning Creme* (Part No. 20000001)**. Then, buff with a clean dry cloth.</li> </ul> <p><b>NOTE: Permanent stains will develop if soil is allowed to cook on by repeatedly using the cooktop when soiled.</b></p> <ul style="list-style-type: none"> <li>• <b>Heavy Soils or Metal Marks</b> – Dampen a “scratchless” or “never scratch” scrubber sponge. Apply Cooktop Cleaning Creme* (Part No. 20000001)** and scrub to remove as much soil as possible. Apply a thin layer of the creme over the soil, cover with a damp paper towel and let stand 30 to 45 minutes (2-3 hours for very heavy soil). Keep moist by covering the paper towel with plastic wrap. Scrub again, then buff with a clean dry cloth.</li> </ul> <p><b>NOTE: Only use a CLEAN, DAMP “scratchless” pad that is safe for non-stick cookware. The pattern and glass will be damaged if the pad is not damp, if the pad is soiled, or if another type of pad is used.</b></p> <ul style="list-style-type: none"> <li>• <b>Burned-on or Crusty Soils</b> – Scrub with a “scratchless” or “never scratch” scouring pad and Cooktop Cleaning Creme*.</li> </ul> <p><b>NOTE: Hold a razor blade scraper at 30° angle and scrape any remaining soil. Then, clean as described above. Do not use the razor blade for daily cleaning as it may wear the pattern on the glass.</b></p> <ul style="list-style-type: none"> <li>• <b>Melted Sugar or Plastic</b> – Immediately turn element to LOW and scrape sugar or plastic from hot surface to a cool area. Then turn element OFF and allow to cool. Clean residue with razor blade scraper and Cooktop Cleaning Creme*.</li> </ul> 

# CARE & CLEANING

PART	PROCEDURE
<b>Oven Window and Door – Glass</b>	<ul style="list-style-type: none"> <li>• Avoid using excessive amounts of water which may seep under or behind glass causing staining.</li> <li>• Wash with soap and water. Rinse with clear water and dry. Glass cleaner can be used if sprayed on a cloth first.</li> <li>• Do not use abrasive materials such as scouring pads, steel wool or powdered cleaners as they will scratch glass.</li> </ul>
<b>Oven Interior</b>	<ul style="list-style-type: none"> <li>• Follow instructions on pages 23-24 to set a self-clean cycle.</li> </ul>
<b>Oven Racks</b>	<ul style="list-style-type: none"> <li>• Clean with soapy water.</li> <li>• Remove stubborn soil with cleansing powder or soap-filled scouring pad. Rinse and dry.</li> <li>• Racks will permanently discolor and may not slide smoothly if left in the oven during a self-clean operation. If this occurs, wipe the rack edge and rack support with a small amount of vegetable oil to restore ease of movement, then wipe off excess oil.</li> </ul>
<b>Stainless Steel</b> (select models)	<ul style="list-style-type: none"> <li>• <b>DO NOT USE ANY CLEANING PRODUCT CONTAINING CHLORINE BLEACH.</b></li> <li>• <b>DO NOT USE ABRASIVE OR ORANGE CLEANERS.</b></li> <li>• <b>ALWAYS WIPE WITH THE GRAIN WHEN CLEANING.</b></li> <li>• <b>Daily Cleaning/Light Soil</b> --- Wipe with one of the following - soapy water, white vinegar/water solution, Formula 409 Glass and Surface Cleaner* or a similar glass cleaner - using a sponge or soft cloth. Rinse and dry. To polish and help prevent fingerprints, follow with Stainless Steel Magic Spray (Part No. 20000008)**.</li> <li>• <b>Moderate/Heavy Soil</b> --- Wipe with one of the following - Bon Ami, Smart Cleanser, or Soft Scrub* - using a damp sponge or soft cloth. Rinse and dry. Stubborn soils may be removed with a damp multi-purpose Scotch-Brite* pad; rub evenly with the grain. Rinse and dry. To restore luster and remove streaks, follow with Stainless Steel Magic Spray*.</li> <li>• <b>Discoloration</b> --- Using a damp sponge or soft cloth, wipe with Cameo Stainless Steel Cleaner*. Rinse immediately and dry. To remove streaks and restore luster, follow with Stainless Steel Magic Spray*.</li> </ul>
<b>Warming Drawer, Door Handle, Side Panels – Painted Enamel</b>	<ul style="list-style-type: none"> <li>• When cool, wash with warm soapy water, rinse and dry. Never wipe a warm or hot surface with a damp cloth as this may damage the surface and may cause a steam burn.</li> <li>• For stubborn soil, use mildly abrasive cleaning agents such as baking soda paste or Bon Ami.* Do not use abrasive, caustic or harsh cleaning agents such as steel wool pads or oven cleaners. These products will scratch or permanently damage the surface.</li> </ul> <p><b>NOTE: Use a dry towel or cloth to wipe up spills, especially acidic or sugary spills. Surface may discolor or dull if soil is not immediately removed. This is especially important for white surfaces.</b></p>

\* Brand names for cleaning products are registered trademarks of the respective manufacturers.

\*\* To order direct, call 1-800-JENNAIR (1-800-536-6247).

# MAINTENANCE

## Oven Door

### CAUTION

**Do not** place excessive weight on or stand on an open oven door. This could cause the range to tip over, break the door, or injure the user.

**Note:** The oven door on a new range may feel “spongy” when it is closed. This is normal and will decrease with use.

## Oven Window

### To protect the oven door window:

1. Do not use abrasive cleaning agents such as steel wool scouring pads or powdered cleansers as they may scratch the glass.
2. Do not hit the glass with pots, pans, furniture, toys, or other objects.
3. Do not close the oven door until the oven racks are in place.

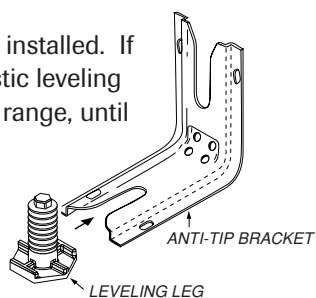
Scratching, hitting, jarring or stressing the glass may weaken its structure causing an increased risk of breakage at a later date.

## Leveling Legs

### CAUTION

Be sure the anti-tip bracket secures one of the rear leveling legs to the floor. This bracket prevents the range from accidentally tipping.

The range should be leveled when installed. If the range is not level, turn the plastic leveling legs, located at each corner of the range, until range is level.



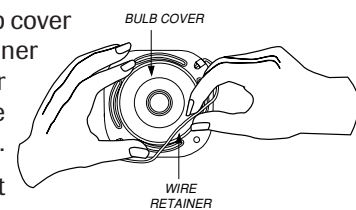
## Oven Light

### CAUTION

- Disconnect power to range before replacing light bulb.
- Allow oven to cool before replacing light bulb.
- Make sure bulb cover and bulb are cool before touching.

### To replace oven light bulb:

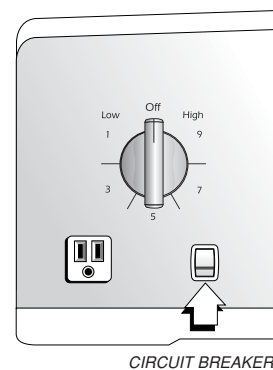
1. When oven is cool, hold bulb cover in place, then slide wire retainer off cover. **NOTE:** Bulb cover will fall if not held in place while removing wire retainer.
2. Remove bulb cover and light bulb.
3. Replace with a 40-watt appliance bulb.
4. Replace bulb cover and secure with wire retainer.
5. Reconnect power to range. Reset clock.



## Convenience Outlet (Canadian models only)

The convenience outlet is located on the lower left side of the backguard. Be sure appliance cords do not rest on or near the surface element. If the surface element is turned on, the cord and outlet will be damaged.

The convenience outlet circuit breaker may trip if the small appliance plugged into it exceeds 10 amps. To reset the circuit breaker, press the switch located on the lower edge of the backguard.



# MAINTENANCE

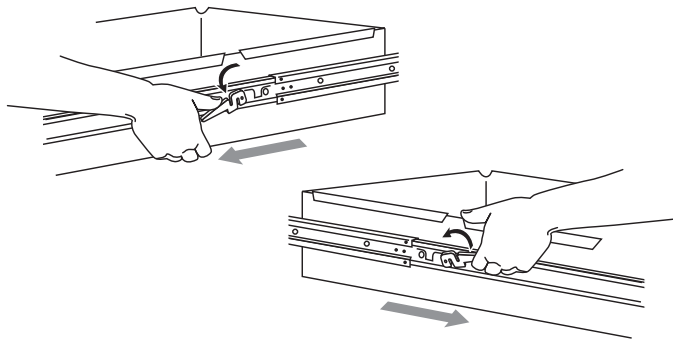
## Warming Drawer

### CAUTION

- **NEVER** store plastic, paper products or flammable materials in this drawer. The drawer may become too warm for these items when the oven is in use or the warming drawer is preheated.
- To avoid contact with the warming drawer heating element, pull drawer all the way out to add or remove food.
- Never use oven cleaners to clean the warming drawer.

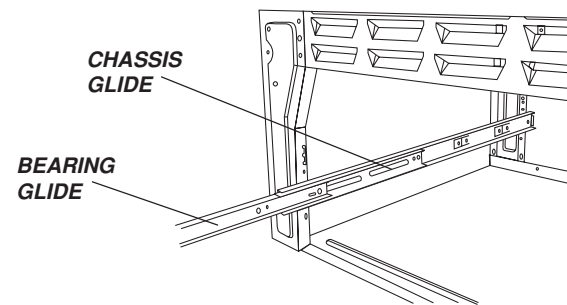
### To remove warming drawer:

1. Empty drawer and pull out until it is fully open.
2. Locate the black triangle lever on each side of the drawer.
3. Press the lever down on the right side and lift the lever up on the left side at the same time. Then pull drawer out another inch.
4. Carefully pull the drawer all the way out holding on to the sides, not the drawer front.



### To replace warming drawer:

1. Pull the bearing glides to the front of the chassis glide. (See picture below.)
2. Align the glide on each side of the drawer with the glide slots on the range.
3. Push the drawer into the range until levers “click” (approximately 2”). Pull the drawer open again to seat bearing glides into position. If you do not hear the levers “click” or the bearing glides do not feel seated, remove the drawer and repeat steps 1 through 3. This will minimize possible damage to the bearing glides.



# TROUBLESHOOTING

PROBLEM	SOLUTION
<b>For most concerns, try these first.</b>	<ul style="list-style-type: none"> <li>• Check if oven controls have been properly set.</li> <li>• Check to be sure plug is securely inserted into receptacle.</li> <li>• Check or re-set circuit breaker. Check or replace fuse.</li> <li>• Check power supply.</li> </ul>
<b>Part or all of appliance does not work.</b>	<ul style="list-style-type: none"> <li>• Check if surface and/or oven controls have been properly set. See pgs. 5 &amp; 11.</li> <li>• Check if oven door is unlocked after self-clean cycle. See pg. 24.</li> <li>• Check if oven is set for a delayed cook or clean program. See pgs. 13 &amp; 23.</li> <li>• Check if Control Lock is activated. See pg. 10.</li> <li>• Check if control is in Sabbath Mode. See pg. 18.</li> </ul>
<b>Clock, indicator words, and/or lights operate but oven does not heat.</b>	<ul style="list-style-type: none"> <li>• Oven may be set for a Cook &amp; Hold or delay function.</li> <li>• Control Lock may have been set. (See pg. 10.)</li> </ul>
<b>Baking results are not as expected or differ from previous oven.</b>	<ul style="list-style-type: none"> <li>• Make sure the oven vent has not been blocked. See pg. 21 for location.</li> <li>• Check to make sure range is level.</li> <li>• Temperatures often vary between a new oven and an old one. As ovens age, the oven temperature often “drifts” and may become hotter or cooler. See pg. 19 for instructions on adjusting the oven temperature. <b>NOTE:</b> It is not recommended to adjust the temperature if only one or two recipes are in question.</li> <li>• See “<b>Cooking Made Simple</b>” booklet for more information on bakeware and baking.</li> </ul>
<b>Food is not broiling properly or smokes excessively.</b>	<ul style="list-style-type: none"> <li>• Check oven rack positions. Food may be too close to element.</li> <li>• Broil element was not preheated.</li> <li>• Aluminum foil was incorrectly used. Never line the broiler insert with foil.</li> <li>• Oven door was closed during broiling. Leave the door open to the first stop position (about 4 inches).</li> <li>• Trim excess fat from meat before broiling.</li> <li>• A soiled broiler pan was used.</li> <li>• Voltage in house may be low.</li> </ul>
<b>Oven will not self-clean.</b>	<ul style="list-style-type: none"> <li>• Check to make sure the cycle is not set for a delayed start. See pg. 23.</li> <li>• Check if door is closed.</li> <li>• Check if control is in Sabbath Mode. See pg. 18.</li> <li>• Oven may be over 400° F. Oven temperature must be below 400° F to program a clean cycle.</li> </ul>
<b>Oven did not clean properly.</b>	<ul style="list-style-type: none"> <li>• Longer cleaning time may be needed.</li> <li>• Excessive spillovers, especially sugary and/or acidic foods, were not removed prior to the self-clean cycle.</li> </ul>
<b>Oven door will not unlock after self-clean cycle.</b>	<ul style="list-style-type: none"> <li>• Oven interior is still hot. Allow about one hour for the oven to cool after the completion of a self-clean cycle. The door can be opened when the LOCK indicator word is not displayed.</li> <li>• The control and door may be locked. See pg. 10.</li> </ul>

# TROUBLESHOOTING

PROBLEM	SOLUTION
<b>Smoothtop surface shows wear.</b>	<ol style="list-style-type: none"> <li>Tiny scratches or abrasions. <ul style="list-style-type: none"> <li>Make sure cooktop and pan bottom are clean. Do not slide glass or metal pans across top. Make sure pan bottom is not rough. Use the recommended cleaning agents. See page 25.</li> </ul> </li> <li>Metal marks. <ul style="list-style-type: none"> <li>Do not slide metal pans across top. When cool, clean with Cooktop Cleaning Creme. See page 25.</li> </ul> </li> <li>Brown streaks and specks. <ul style="list-style-type: none"> <li>Remove spills promptly. Never wipe with a soiled cloth or sponge. Make sure cooktop and pan bottom are clean.</li> </ul> </li> <li>Areas with a metallic sheen. <ul style="list-style-type: none"> <li>Mineral deposits from water and food. Use recommended cleaning agents. See page 25.</li> </ul> </li> <li>Pitting or flaking. <ul style="list-style-type: none"> <li>Remove sugary boilovers promptly. See page 25.</li> </ul> </li> </ol>
<b>Moisture collects on oven window or steam comes from oven vent.</b>	<ul style="list-style-type: none"> <li>This is normal when cooking foods high in moisture.</li> <li>Excessive moisture was used when cleaning the window.</li> </ul>
<b>There is a strong odor or light smoke when oven is turned on.</b>	<ul style="list-style-type: none"> <li>This is normal for a new range and will disappear after a few uses. Initiating a clean cycle will “burn off” the odors more quickly.</li> <li>Turning on a ventilation fan will help remove the smoke and/or odor.</li> <li>Excessive food soils on the oven bottom. Use a self-clean cycle.</li> </ul>
<b>Fault Codes</b>	<ul style="list-style-type: none"> <li>BAKE or LOCK may flash rapidly in the display to alert you if there is an error or a problem. If BAKE or LOCK appear in the display, press CANCEL pad. If BAKE or LOCK continue to flash, disconnect power to the appliance. Wait a few minutes, and then reconnect power. If the flashing still continues, disconnect power to the appliance and call an authorized servicer.</li> <li>If the oven is heavily soiled, excessive flareups may result in a fault code during cleaning. Press the CANCEL pad and allow the oven to cool completely, wipe out excess soil, then reset the clean cycle. If the fault code reappears, contact an authorized servicer.</li> </ul>
<b>Noises may be heard.</b>	<ul style="list-style-type: none"> <li>The oven makes several low level noises. You may hear the oven relays as they go on and off. This is normal.</li> <li>As the oven heats and cools, you may hear sounds of metal parts expanding and contracting. This is normal and will not damage your appliance.</li> </ul>
<b>There are no beeps and no display.</b>	<ul style="list-style-type: none"> <li>Oven may be in Sabbath Mode. See page 18.</li> </ul>
<b>“SAb” flashing and then displayed continuously.</b>	<ul style="list-style-type: none"> <li>Oven is in Sabbath Mode. To cancel, press and hold the Clock pad for five seconds.</li> </ul>

# WARRANTY & SERVICE

## Full One Year Warranty - Parts and Labor

For **one (1) year** from the original retail purchase date, any part which fails in normal home use will be repaired or replaced free of charge.

## Limited Warranties - Parts Only

**Second Year** - After the first year from the original purchase date, parts which fail in normal home use will be repaired or replaced free of charge for the part itself, with the owner paying all other costs, including labor, mileage, transportation, trip charge and diagnostic charge, if required.

**Third Through Fifth Year** - From the original purchase date, parts listed below which fail in normal home use will be repaired or replaced free of charge for the part itself, with the owner paying all other costs, including labor, mileage, transportation, trip charge and diagnostic charge, if required.

- **Electronic Controls**
- **Glass-Ceramic Cooktop:** Due to thermal breakage, discoloration, cracking of rubber edge seal, pattern wear.
- **Electric Heating Elements:** Radiant surface elements on electric cooking appliances.

## Canadian Residents

The above warranties only cover an appliance installed in Canada that has been certified or listed by appropriate test agencies for compliance to a National Standard of Canada unless the appliance was brought into Canada due to transfer of residence from the United States to Canada.

## Limited Warranty Outside the United States and Canada - Parts Only

For two (2) years from the date of original retail purchase, any part which fails in normal home use will be repaired or replaced free of charge for the part itself, with the owner paying all other costs, including labor, mileage, transportation, trip charge and diagnostic charge, if required.

*The specific warranties expressed above are the **ONLY** warranties provided by the manufacturer. These warranties give you specific legal rights, and you may also have other rights which vary from state to state.*

## What is Not Covered By These Warranties:

1. Conditions and damages resulting from any of the following:
  - a. Improper installation, delivery, or maintenance.
  - b. Any repair, modification, alteration, or adjustment not authorized by the manufacturer or an authorized servicer.
  - c. Misuse, abuse, accidents, or unreasonable use.
  - d. Incorrect electric current, voltage, or supply.
  - e. Improper setting of any control.
2. Warranties are void if the original serial numbers have been removed, altered, or cannot be readily determined.
3. Light bulbs.
4. Products purchased for commercial or industrial use.
5. The cost of service or service call to:
  - a. Correct installation errors.
  - b. Instruct the user on the proper use of the product.
  - c. Transport the appliance to the servicer.
6. Damage to the glass cooktop caused by the use of cleaners other than the recommended cleaning creams and pads.
7. Damage to the glass cooktop caused by hardened spills of sugary materials or melted plastic that are not cleaned according to the directions in the use and care guide.
8. Consequential or incidental damages sustained by any person as a result of any breach of these warranties. Some states do not allow the exclusion or limitation of consequential or incidental damages, so the above exclusion may not apply.

## If You Need Service

- Call the dealer from whom your appliance was purchased or call Maytag Services<sup>SM</sup>, Jenn-Air Customer Assistance at 1-800-JENNAIR (1-800-536-6247) to locate an authorized servicer.
- Be sure to retain proof of purchase to verify warranty status. Refer to WARRANTY for further information on owner's responsibilities for warranty service.
- If the dealer or service company cannot resolve the problem, write to Maytag Services<sup>SM</sup>, Attn: CAIR<sup>®</sup> Center, P.O. Box 2370, Cleveland, TN 37320-2370, or call **1-800-JENNAIR (1-800-536-6247)**.  
U.S. customers using TTY for deaf, hearing impaired or speech impaired, call 1-800-688-2080.
- User's guides, service manuals and parts information are available from Maytag Services<sup>SM</sup>, Jenn-Air Customer Assistance.

### Notes:

When writing or calling about a service problem, please include the following information:

- a. Your name, address and telephone number;
- b. Model number and serial number;
- c. Name and address of your dealer or servicer;
- d. A clear description of the problem you are having;
- e. Proof of purchase (sales receipt).

CUISINIÈRE ÉLECTRIQUE JENN-AIR  
À TOUCHES ÉLECTRONIQUES 800

GUIDE D'UTILISATION  
ET D'ENTRETIEN

TABLE DES MATIÈRES

Instructions de sécurité importantes .....	33-36
Cuisson sur la surface .....	37-40
Cuisson dans le four .....	41-54
Nettoyage .....	55-58
Entretien .....	59-60
Recherche des pannes .....	61-62
Garantie et service après-vente .....	63
Guía de Uso y Cuidado .....	64





**Installateur :** Remettez ce guide au propriétaire.

**Consommateur :** Veuillez lire le guide et le conserver pour consultation ultérieure. Conservez la facture d'achat ou le chèque encaissé comme preuve de l'achat.

Numéro de modèle \_\_\_\_\_

Numéro de série \_\_\_\_\_

Date d'achat \_\_\_\_\_

Si vous avez des questions, veuillez nous appeler :  
Service à la clientèle de Jenn-Air  
1-800-JENNAIR (1-800-536-6247)  
(lundi au vendredi, 8 h à 20 h, heure de l'Est)  
Internet: <http://www.jennair.com>

Dans le cadre de nos pratiques d'amélioration constante de la qualité et de la performance de nos produits de cuisson, des modifications de l'appareil qui ne sont pas mentionnées dans ce guide ont pu être introduites.

**Reportez-vous à la page 63 pour plus d'informations concernant le service après-vente.**

## INSTRUCTIONS DE SÉCURITÉ IMPORTANTES

Les instructions de sécurité importantes et les paragraphes « avertissement » de ce guide ne sont pas destinés à couvrir toutes les conditions et situations qui pourraient se présenter. Il faut faire preuve de bon sens, de prudence et de soin lors de l'installation, de l'entretien ou du fonctionnement de l'appareil.

Toujours prendre contact avec le détaillant, le distributeur, l'agent de service après-vente ou le fabricant dans le cas de problèmes ou de conditions qui ne seraient pas comprises.

### Reconnaitre les étiquettes, paragraphes et symboles sur la sécurité

#### AVERTISSEMENT

**AVERTISSEMENT** - Dangers ou pratiques dangereuses qui POURRAIENT résulter en de graves blessures ou même la mort.

#### ATTENTION

**ATTENTION** - Dangers ou pratiques dangereuses qui POURRAIENT résulter en des blessures mineures.

**Lire toutes les instructions avant d'utiliser cet appareil;** observer toutes les instructions pour éliminer les risques

d'incendie, choc électrique, dommages matériels et corporels que pourrait susciter une utilisation incorrecte de l'appareil. Utiliser l'appareil uniquement pour les fonctions prévues, décrites dans ce guide.

**Pour une utilisation adéquate et en sécurité** il faut que l'appareil soit convenablement installé par un technicien qualifié, et relié à la terre. Ne pas régler, réparer ni remplacer un composant, à moins que cela ne soit spécifiquement recommandé dans ce guide. Toute autre réparation doit être effectuée par un technicien qualifié.

Toujours débrancher l'appareil avant d'y faire de l'entretien.

## Instructions générales

### AVERTISSEMENT

- **TOUTE CUISINIÈRE PEUT BASCULER ET PROVOQUER DES BLESSURES.**
- **INSTALLER LA BRIDE ANTIBASCULEMENT FOURNIE AVEC CETTE CUISINIÈRE.**
- **RESPECTER TOUTES LES INSTRUCTIONS D'INSTALLATION.**



**AVERTISSEMENT:** Pour réduire le risque de basculement de l'appareil à l'occasion d'une utilisation anormale ou d'un chargement excessif de la porte du four, il faut que la bride antibasculement soit convenablement installée.

Utiliser une lampe torche pour déterminer si la bride antibasculement est convenablement installée sous la cuisinière: L'un des pieds arrière de réglage de l'aplomb doit être convenablement engagé dans la fente de la bride. Lorsque la cuisinière est convenablement calée, la bride antibasculement immobilise le pied arrière contre le sol. Vérifier la parfaite immobilisation de la cuisinière par la bride après **chaque** déplacement de la cuisinière.

## Pour éviter un incendie ou des dommages par la fumée

S'assurer que tous les matériaux de conditionnement sont retirés de l'appareil avant de le mettre en marche.

Garder les matériaux combustibles, l'essence et autres matières et vapeurs inflammables bien éloignés de l'appareil.

De nombreux types de plastique sont affectés par la chaleur. Garder les plastiques éloignés des pièces de l'appareil pouvant devenir chaudes.

Pour empêcher qu'un feu de graisse ne se déclare, éviter toute accumulation de graisse ou autres matières inflammables dans l'appareil ou au voisinage.

# INSTRUCTIONS DE SÉCURITÉ IMPORTANTES

## En cas d'incendie

Interrompre le fonctionnement de l'appareil et de la hotte de ventilation pour minimiser le risque d'extension des flammes. Éteindre les flammes, puis mettre la hotte en marche pour évacuer la fumée et l'air vicié.

- **Table de cuisson :** Utiliser un couvercle ou une plaque à biscuits pour étouffer les flammes d'un feu qui se déclare dans un ustensile de cuisine.

**NE JAMAIS** saisir ou déplacer un ustensile de cuisine enflammé.

- **Four :** Fermer la porte du four pour étouffer les flammes.

Ne pas projeter de l'eau sur un feu de graisse. Utiliser du bicarbonate de sodium ou un extincteur à mousse ou produit chimique sec pour éteindre les flammes.

## Sécurité pour les enfants

### ⚠ ATTENTION

**NE JAMAIS** remiser sur le dossier d'une cuisinière ou dans une armoire au-dessus, des articles auxquels les enfants peuvent s'intéresser. Un enfant tentant de grimper sur la porte de l'appareil pour atteindre un objet pourrait subir de graves blessures.

**NE JAMAIS** laisser des enfants seuls ou sans supervision lorsque l'appareil est en service ou encore chaud. Ne jamais laisser un enfant s'asseoir ou se tenir sur une partie quelconque de l'appareil. Il pourrait se blesser ou se brûler.

Il est important d'enseigner aux enfants que l'appareil et les ustensiles placés dedans peuvent être chauds. Laisser refroidir les ustensiles en un lieu sûr, hors d'atteinte des enfants. Il est important d'enseigner aux enfants qu'un appareil ménager n'est pas un jouet, et qu'ils ne doivent toucher aucune commande ou autre composant de l'appareil.

## Familiarisation avec l'appareil

### ⚠ AVERTISSEMENT

**NE JAMAIS** utiliser un appareil comme escabeau pour atteindre les armoires se trouvant au-dessus. Le mauvais emploi de porte d'appareil, comme par exemple en tant qu'escabeau, le fait de s'appuyer ou de s'asseoir sur la porte, peuvent renverser l'appareil, casser la porte et gravement blesser.

Ne pas utiliser cet appareil pour chauffer ou pour garder chaude une pièce, sinon des dommages à l'appareil pourraient s'ensuivre et cela pourrait être dangereux pour l'utilisateur. Aussi, ne pas utiliser le four pour ranger des aliments ou des ustensiles de cuisine.

Ne pas bloquer ou obstruer l'évent du four.

**NE JAMAIS TOUCHER LES ÉLÉMENTS CHAUFFANTS NI LES PAROIS INTÉRIEURES DU FOUR.** Les éléments chauffants peuvent être brûlants même s'ils ne sont plus rouges. Les surfaces intérieures du four peuvent atteindre une température suffisamment élevée pour infliger des brûlures. Pendant et après usage, ne pas toucher les éléments chauffants ni les parois intérieures du four et éviter leur contact avec des vêtements ou autres matériaux inflammables avant qu'ils n'aient eu le temps de refroidir suffisamment. D'autres surfaces peuvent également atteindre une température suffisamment élevée pour brûler : le ouverture d'évent et la surface avoisinant, ainsi que le porte et le hublot de four.

Ne pas toucher l'ampoule du four brûlante avec un chiffon humide car elle pourrait se briser. Si tel est le cas, débrancher l'appareil avant de retirer l'ampoule pour éviter une décharge électrique.

**NE JAMAIS** garnir la sole du four ou une grille du four avec de la feuille d'aluminium. Ceci pourrait susciter un risque de décharge électrique ou d'incendie, ou une détérioration de l'appareil. Utiliser de la feuille d'aluminium uniquement selon les instructions de ce guide.

## Cuisson et sécurité

**NE JAMAIS** faire chauffer un récipient non ouvert dans le four. L'accumulation de pression dans le récipient pourrait provoquer son éclatement et de graves dommages matériels ou corporels.

Utiliser des maniques robustes et sèches. Des maniques humides peuvent provoquer la formation de vapeur brûlante. Ne jamais utiliser un torchon à vaisselle ou autre article textile à la place de maniques; un tel article pourrait traîner sur un élément et s'enflammer, ou accrocher un ustensile ou un composant de l'appareil.

Porter un vêtement approprié. Éviter de porter des vêtements amples ou à longues manches pendant l'utilisation de l'appareil. Ils peuvent prendre feu si le vêtement entre en contact avec un élément de cuisson brûlant.



# INSTRUCTIONS DE SÉCURITÉ IMPORTANTES

Placer toujours les grilles à la position appropriée dans le four lorsque le four est froid. Faire coulisser la grille vers l'extérieur avant d'ajouter ou enlever un plat; utiliser pour cela une manique robuste et sèche. Éviter d'introduire la main dans le four pour y placer ou retirer un plat. S'il est nécessaire de déplacer une grille lorsqu'elle est chaude, utiliser une manique sèche. Ne pas toucher un élément chaud avec une manique.

N'utiliser les grilles que dans le four dans lequel elles ont été achetées/expédiées.

Ouvrir toujours la porte du four très prudemment. Laisser l'air chaud ou la vapeur s'échapper avant de retirer ou d'introduire un plat.

**AVERTISSEMENT - METS PRÉPARÉS :** Respecter les instructions du fabricant. Si le contenant ou le couvercle en plastique d'un mets surgelé se déforme ou est endommagé durant la cuisson, jeter immédiatement le récipient et son contenu. Les aliments pourraient être contaminés.

Ne pas permettre le contact de papier d'aluminium ou de la sonde à viande avec les éléments chauffants.

Toujours éteindre toutes les commandes une fois la cuisson terminée.



## Ustensiles et sécurité

Appliquer les instructions du fabricant lors de l'emploi d'un sachet pour cuisson au four.

La sécurité de fonctionnement de cet appareil a été testée à l'aide d'ustensiles de cuisine traditionnels. Ne pas utiliser un ustensile ou accessoire qui n'est pas spécifiquement recommandé dans ce guide. Ne pas utiliser de système de convection additionnel. L'utilisation d'un dispositif ou accessoire qui n'est pas expressément recommandé dans ce guide peut dégrader la sécurité de l'appareil ou sa performance, ou réduire la longévité des composants.

Si un ustensile est plus petit que l'élément utilisé, une partie de l'élément chauffant est exposée et peut provoquer l'inflammation d'un vêtement ou des maniques.

Seuls certains matériaux en verre, vitrocéramique, céramique, grès, ou certains ustensiles vitrifiés/émaillés peuvent être utilisés sur la table de cuisson ou dans le four sans risque de bris sous l'effet du choc thermique. Observer les instructions du fabricant lors de l'utilisation d'un ustensile en verre.

Orienter la poignée de chaque ustensile vers le centre de la table de cuisson et non vers l'extérieur ou vers un autre élément; ceci réduira le risque de brûlure, inflammation de

matière inflammable ou renversement (un jeune enfant pourrait saisir et renverser un ustensile dont le manche est orienté vers l'extérieur).

## Table de cuisson

**NE JAMAIS** laisser un élément de surface allumé sans surveillance, particulièrement avec chauffage élevé. Le débordement du contenu de l'ustensile pourrait provoquer la génération de fumée abondante et l'inflammation de la graisse.

Cet appareil comporte des éléments chauffants de différentes tailles. Utiliser toujours un ustensile à fond plat, de taille suffisante pour qu'il puisse recouvrir complètement l'élément. Pour optimiser l'efficacité, choisir un ustensile de même taille que l'élément.

**SURFACE EN VITROCÉRAMIQUE : NE JAMAIS** utiliser une table de cuisson cassée ou fêlée: les solutions de nettoyage et renversements pourraient pénétrer dans la table de cuisson en entraînant un risque de décharge électrique. Prendre immédiatement contact avec un technicien qualifié.



## Friteuses

Exercer une prudence extrême lors du déplacement du récipient de graisse ou lors de l'élimination de graisse chaude. Laisser la graisse refroidir avant de déplacer l'ustensile.

## Hottes d'extraction

Nettoyer fréquemment les filtres et la hotte de la cuisinière pour empêcher la graisse ou d'autres produits inflammables de s'accumuler sur les filtres ou la hotte en provoquant des feux de graisse.

Pour flamber des aliments sous la hotte, mettre le ventilateur en marche.

## Nettoyage et sécurité

Nettoyer prudemment la table de cuisson. Arrêter toutes les commandes et attendre le refroidissement de tous les composants avant de les toucher ou d'entreprendre le nettoyage. Nettoyer l'appareil avec précaution. Travailler prudemment pour éviter des brûlures par la vapeur en cas d'utilisation d'un chiffon ou d'une éponge humide lors de



# INSTRUCTIONS DE SÉCURITÉ IMPORTANTES

l'élimination d'un produit renversé sur une surface chaude. Certains produits de nettoyage peuvent générer des vapeurs nocives lorsqu'on les applique sur une surface chaude.

Nettoyer uniquement les pièces mentionnées dans ce guide.

## Four autonettoyant

### ATTENTION

Ne pas laisser de grilles, lèchefrite, mets ou ustensiles de cuisine, etc. dans le four pendant l'autonettoyage.

Ne pas nettoyer le joint de porte; le joint joue un rôle essentiel quant à l'étanchéité. Ne pas frotter, endommager ou déplacer le joint.

Ne pas utiliser de produits de nettoyage pour four ou enduits de four, dans le four autonettoyant ou sur les zones voisines.

Avant d'exécuter une opération d'autonettoyage, retirer la lèchefrite, les grilles du four et les autres ustensiles, et éliminer par essuyage tout excès de résidus renversés pour éviter la formation de fumée ou l'inflammation de ces résidus.

## Avertissement et avis important pour la sécurité

La loi californienne «Safe Drinking Water and Toxic Enforcement Act» de 1986 (proposition 65) stipule la publication par le gouverneur de la Californie d'une liste de substances que l'état de Californie considère comme cancérigènes ou dangereuses pour le système reproducteur, et impose aux entreprises commerciales l'obligation de signaler à leurs clients les risques d'exposition à de telles substances.

Nous informons les utilisateurs de cet appareil que lors d'une opération d'autonettoyage, ils peuvent être exposés à une faible concentration de certaines substances figurant dans la liste mentionnée ci-dessus, dont le monoxyde de carbone. Pour minimiser l'exposition, veiller à ce que la pièce où se trouve le four soit convenablement aérée durant une opération d'autonettoyage par l'ouverture d'une fenêtre ou d'une porte.

**AVIS IMPORTANT - OISEAUX FAMILIERS :** Les oiseaux ont un système respiratoire très sensible. Ne pas garder un oiseau familier dans la cuisine ou dans une pièce où il pourrait être exposé aux fumées. Les fumées émises durant une opération d'autonettoyage peuvent être dangereuses ou mortelles pour un oiseau, de même que les fumées émises lors du chauffage excessif de graisse, huile, margarine, et du chauffage excessif dans un ustensile à revêtement antiadhésif.

## Conserver ces instructions pour consultation ultérieure

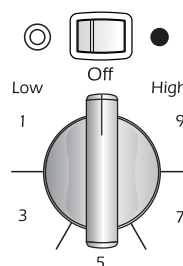
# CUISSON SUR LA SURFACE

## Boutons de commande

Permettent l'utilisation des éléments chauffants de surface, avec une progression continue de la puissance entre les réglages extrêmes **Low** (Bas) et **High** (Élevé). On peut régler un bouton à toute position entre ces deux extrêmes.

## Réglage des commandes

1. Placer l'ustensile sur l'élément.
2. Enfoncer et faire tourner le bouton jusqu'à la position désirée (rotation dans un sens ou dans l'autre).
  - Des marques sur le tableau de commande identifient l'élément commandé par chaque bouton. Par exemple, le graphique à droite indique l'élément avant/droit.
3. Il y a un témoin lumineux pour les éléments sur le tableau de commande. Lorsque l'un des boutons de commande d'un élément de surface est alimenté, le témoin s'allume. Le témoin s'éteint dès qu'on interrompt l'alimentation de l'élément. L'élément fonctionnera par intermittence pour maintenir le réglage préétabli de chaleur, même au niveau **High** (Élevé).
4. Après une cuisson, ramener le bouton à la position **Off** (Arrêt). Retirer l'ustensile.



## Éléments doubles

La surface de cuisson est équipée de deux éléments doubles, situés à l'avant droit et à l'avant gauche sur le dessus lisse. Ces éléments ont une dimension variable.

Pousser le sélecteur à gauche pour utiliser le grand élément ou à droite pour utiliser le petit élément. Cette sélection doit être faite avant de mettre l'élément en marche.

## Suggestions pour le réglage

On doit choisir la puissance de chauffage en fonction de divers facteurs: taille, type de l'ustensile et opération de cuisson. Pour l'information concernant les ustensiles et autres facteurs affectant la puissance de chauffage à utiliser, se reporter au paragraphe Recommandations sur les ustensiles à la page 39 et à la brochure La cuisson simplifiée.

**Low (Bas) (1) :** Pour fusion de chocolat ou beurre, ou le maintien de la température d'un mets.

**Med. Low (Moyen bas) (3) :** Pour continuer la cuisson de mets en casseroles fermées par couvercle ou pour cuire à la vapeur.

**Medium (Moyen) (5) :** Pour le maintien de l'ébullition lente d'une grande quantité de liquide ou pour la plupart des opérations de friture.

**High (Élevé) (9) :** Pour l'ébullition d'un liquide. On doit toujours réduire la puissance de chauffage dès que la température d'ébullition est atteinte ou que l'aliment commence à cuire.

**Med. High (Moyen élevé) (7) :** Pour rissoler les viandes, chauffer l'huile (grande friture ou aliments sautés) et pour le maintien de l'ébullition rapide d'une grande quantité de liquide.

## ATTENTION

### AVANT LA CUISSON

- Placer toujours l'ustensile sur l'élément avant d'alimenter l'élément. Pour éviter que la cuisinière ne subisse des dommages, ne jamais faire fonctionner un élément de surface sans y placer un ustensile.
- **NE JAMAIS** utiliser la table de cuisson comme lieu de remisage d'aliments ou d'ustensiles.

### DURANT LA CUISSON

- Veiller à bien connaître la correspondance entre les boutons de commande et les éléments. Veiller à commander l'alimentation de l'élément voulu.
- Commencer la cuisson avec une puissance de chauffage supérieure, puis réduire la puissance de chauffage pour poursuivre la cuisson. Ne jamais utiliser une puissance de chauffage élevée pour une cuisson prolongée.
- **NE JAMAIS** laisser le contenu d'un ustensile s'évaporer complètement; ceci pourrait faire subir des dommages à l'ustensile et à l'appareil.
- **NE JAMAIS** toucher la table de cuisson avant qu'elle se soit complètement refroidie. Certaines zones de la table de cuisson, particulièrement au voisinage des éléments de surface, peuvent devenir très chaudes durant une cuisson. Utiliser des maniques.

### APRÈS LA CUISSON

- S'assurer que l'élément est arrêté.
- Éliminer dès que possible tous les résidus de renversement et projections.

### AUTRES CONSEILS

- S'il y a une armoire de rangement directement au-dessus de la table de cuisson, on ne doit y placer que des articles peu fréquemment utilisés et qui peuvent être exposés à la chaleur. La chaleur émise par la cuisinière pourrait susciter un problème pour des articles comme liquides volatils, produits de nettoyage et flacons d'aérosol.
- **NE JAMAIS** laisser aucun article sur la table de cuisson, particulièrement les articles en plastique. L'air chaud qui s'échappe par l'évent du four pourrait provoquer l'inflammation d'un article inflammable, faire fondre/amollir un article en plastique, ou provoquer une augmentation de pression provoquant l'éclatement d'un récipient fermé.
- **NE JAMAIS** laisser de la feuille d'aluminium, une sonde thermométrique à viande ou un objet métallique autre qu'un ustensile de cuisson sur la table de cuisson, entrer en contact avec un élément chauffant.
- **NE JAMAIS** ranger au-dessus de la table de cuisson d'articles lourds qui risqueraient de tomber et d'endommager la table de cuisson.

# CUISSON SUR LA SURFACE

## Surface à dessus lisse

### Remarques sur la surface à dessus lisse :

- Lors des premières utilisations de la table de cuisson, **celle-ci peut émettre un peu de fumée et des odeurs**. Ceci est normal.
- **Les surfaces à dessus lisse conservent la chaleur pendant un certain temps après l'extinction de l'élément**. Éteindre les éléments quelques minutes avant que la nourriture ne soit tout à fait cuite et utiliser la chaleur restante pour terminer la cuisson. Lorsque le voyant de surface chaude s'éteint, on peut toucher la surface de cuisson sans danger. En raison de la façon dont les éléments d'une surface à dessus lisse retiennent la chaleur, ceux-ci ne répondront pas aux changements de réglage aussi rapidement que des éléments en spirale.
- Au cas où le contenu d'un ustensile risque de déborder, retirer l'ustensile de la surface de cuisson.
- **Ne jamais essayer de soulever la surface de cuisson.**
- La surface à dessus lisse peut sembler décolorée lorsqu'elle est très chaude. Ceci est normal et disparaît une fois que la surface refroidit.

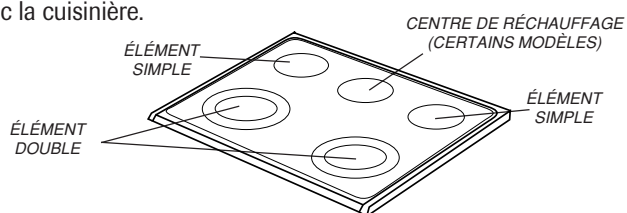
## Zones de cuisson

Les zones de cuisson de la cuisinière sont représentées par des cercles permanents sur la surface à dessus lisse. Pour une efficacité maximum, utiliser une zone de cuisson dont le diamètre convient à l'ustensile.

**Le récipient ne doit pas dépasser la zone de cuisson de plus de 12 à 25 mm (1/2 à 1 po).**

Lorsqu'une commande est mise en marche, on peut voir un rougeoiement à travers la surface à dessus lisse. **L'élément fonctionnera en intermittence pour maintenir le réglage préétabli de chaleur, même au niveau Hi (Élevé).**

Pour obtenir plus d'informations sur les ustensiles de cuisine, se reporter à la page 39 au paragraphe Recommandations sur les ustensiles de cuisine et à la brochure La cuisson simplifiée, incluse avec la cuisinière.



## Voyant de surface chaude

Le voyant de surface chaude est situé sur le tableau de commande. Il s'allumera lorsqu'une surface de cuisson, quelle qu'elle soit, sera chaude. Il restera allumé, même après extinction de la commande, jusqu'à ce que la zone ait refroidi.

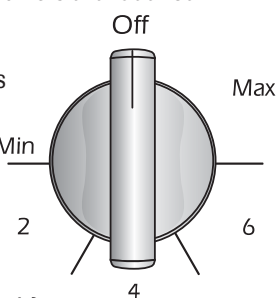


## Centre de réchauffage (certains modèles)

Utiliser le centre de réchauffage pour maintenir tièdes des aliments cuits, comme légumes, sauces et assiettes-dîners allant au four.

### Réglage de la commande :

1. Appuyer sur le bouton et le tourner. Les températures de réchauffage sont approximatives et indiquées par **Min**, **2**, **4**, **6** et **Max**. Cependant, la commande peut être réglée à toute position située entre **Min** et **Max**.



2. Lorsque l'opération de réchauffage est terminée, mettre la commande à **Off** (arrêt) et retirer la nourriture. Le voyant de surface chaude s'éteindra lorsque la surface du centre de réchauffage aura refroidi.

### Remarques :

- **Ne jamais** réchauffer d'aliments pendant plus d'une heure (les œufs, pour 30 minutes), la qualité des aliments risquant de se détériorer.
- Ne pas réchauffer des aliments froids sur le centre de réchauffage.
- Les réglages de chaleur varieront selon le type et la qualité d'aliments. Conserver toujours les aliments aux températures appropriées. L'USDA recommande que les températures soient situées entre 60 et 75 °C (140 et 170 °F).

### Réglages suggérés

Réglage	Type d'aliment	
<b>Min - 2</b> Plats mijotés	Pains/pâtisseries Oeufs	Sauces de viande
<b>2 - 6</b> Ragoûts	Viandes Soupes (crèmes) Légumes	Assiette-dîner avec nourriture Sauces
<b>6 - Max</b>	Aliments frits Soupes (liquides)	Boissons chaudes

### Remarques sur le centre de réchauffage :

- N'utiliser que des plats et des ustensiles recommandés pour l'utilisation sur surface de cuisson et en four.
- Se servir toujours de gants isolants pour retirer la nourriture du centre de réchauffage. Les ustensiles et assiettes seront en effet très chauds.
- Toute la nourriture doit être recouverte d'un couvercle ou d'une feuille d'aluminium pour préserver sa qualité alimentaire.
- Pour réchauffer des pâtisseries et des pains, laisser toujours une ouverture au niveau du couvercle pour permettre à l'humidité de s'échapper.
- Ne pas utiliser de pellicule plastique pour recouvrir les aliments. Le plastique pourrait fondre sur la surface et il serait très difficile de l'enlever.



# CUISSON SUR LA SURFACE

## Conseils de protection de la surface à dessus lisse

### Nettoyage (plus d'informations à la page 57)

- Avant de s'en servir la première fois, nettoyer la table de cuisson.
- Nettoyer la table de cuisson chaque jour ou après chaque utilisation. Ces mesures préserveront l'apparence de la table de cuisson et éviteront qu'elle ne s'abîme.
- En cas de renversement lors de cuisson, nettoyer immédiatement le produit renversé sur la surface de cuisson pendant qu'elle est encore chaude afin d'éviter un plus grand nettoyage par la suite. User de prudence, essuyer les renversements avec un linge propre et sec.
- Ne pas laisser les produits renversés sur la surface de cuisson ou sur la garniture de la table de cuisson pendant une longue durée.
- **Ne jamais** utiliser de poudre de nettoyage abrasive ou de tampons à récurer qui raieraient la surface.
- **Ne jamais** utiliser de javellisant, ammoniac ou autres produits de nettoyage non spécifiquement recommandés pour la vitrocéramique.

### Pour éviter les marques et les rayures

- Ne pas utiliser de casseroles en verre. Elles pourraient rayer la surface.
- **Ne jamais** utiliser de support métallique ou anneau de wok entre un récipient et la surface de cuisson. Ces objets peuvent marquer ou rayer la surface.
- Ne pas faire glisser de récipients métalliques sur la surface de cuisson brûlante. Ils pourraient laisser des marques qui devront être nettoyées immédiatement. (Voir Nettoyage, page 57.)
- Veiller à ce que le fond des récipients et la zone de cuisson soient propres avant d'allumer l'élément, afin d'éviter les rayures.
- Pour empêcher que la surface de cuisson en vitrocéramique ne se trouve rayée ou abîmée, ne pas y laisser de sucre, de sel ou de graisse. Prendre l'habitude d'essuyer la surface de cuisson avec un linge propre ou un essuie-tout avant de l'utiliser.
- **Ne jamais** faire glisser de récipients métalliques épais sur la surface au risque de la rayer.

### Pour éviter les taches

- **Ne jamais** utiliser de linge ou d'éponge sale pour nettoyer la surface de cuisson. Ils laisseraient un film, ce qui pourrait décolorer la surface de cuisson lorsqu'elle est utilisée.
- L'utilisation continue d'une surface de cuisson salie peut entraîner l'apparition de taches permanentes.

### Pour éviter d'autres dommages

- Ne pas laisser fondre de plastique, de sucre ni d'aliments riches en sucre sur la table de cuisson. Si cela se produisait accidentellement, nettoyer immédiatement. (Voir Nettoyage, page 57.)
- **Ne jamais** laisser le contenu d'une casserole bouillir jusqu'à ce qu'elle soit vide car cela pourrait abîmer la surface de cuisson et la casserole.
- **Ne jamais** utiliser la table de cuisson comme surface de travail ou comme planche à découper.
- **Ne jamais** cuire d'aliments directement sur la table de cuisson, sans récipient.
- Ne jamais utiliser un petit récipient sur un grand élément. Non seulement il y a gâchis d'énergie mais il peut en résulter des projections qui vont brûler sur la surface de cuisson et devront être nettoyées.
- Ne pas utiliser des récipients spéciaux non plats qui seraient trop grands ou à fond inégal comme les woks à fond rond, les plaques chauffantes ou récipients de grande taille à fond ondulé.
- Ne pas utiliser de récipients en aluminium. L'aluminium risque de fondre sur le verre. Si le métal fond sur la table de cuisson, ne pas l'utiliser. Appeler un réparateur agréé Jenn-Air.

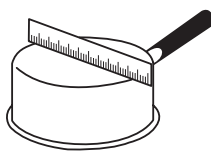
# CUISSON SUR LA SURFACE

## Recommandations sur les ustensiles

L'utilisation du bon ustensile peut empêcher de nombreux problèmes comme la nécessité de cuire plus longtemps la nourriture et la difficulté à obtenir des résultats uniformes. De bons ustensiles réduisent les durées de cuisson, utilisent moins d'énergie et cuisent de façon plus uniforme.

### Tests pour vérifier si les ustensiles ont un fond plat

Vérifier que les ustensiles sont plats.



#### Test de la règle :

1. Placer une règle en travers du fond de l'ustensile.
2. La tenir face à la lumière.
3. Aucune lumière ou très peu ne doit être visible sous la règle.

#### Test de la bulle :

1. Mettre 2,5 cm (1 po) d'eau dans l'ustensile. Placer l'ustensile sur la surface de cuisson et tourner la commande sur **High** (Élevé).
2. Observer la formation de bulles lorsque l'eau chauffe. Des bulles uniformes signifient de bonnes performances et des bulles inégales indiquent la présence de zones plus chaudes donnant une cuisson inégale.

Voir la brochure La cuisson simplifiée pour obtenir plus d'informations.

Choisir	Éviter
Des ustensiles à fond lisse, plat	Des ustensiles à fond rainuré ou gondolé. Des ustensiles à fond inégal ne cuisent pas efficacement et peuvent parfois ne pas faire bouillir les liquides.
Des ustensiles en matériaux épais	Des ustensiles en verre ou en métal peu épais.
Des ustensiles de la même dimension de l'élément	Des ustensiles plus petits ou plus grands (de 2,5 cm [1 po]) que l'élément.
Des poignées qui tiennent bien	Des ustensiles avec des poignées cassées ou qui ne tiennent pas. Des poignées lourdes qui font se renverser l'ustensile.
Des couvercles qui ferment bien	Des couvercles qui ferment mal.
Des woks à fond plat	Des woks avec un fond sur anneau.

## Ustensiles de grande taille et pour les conserves

Toutes les marmites pour les conserves et les grandes casseroles doivent avoir un fond plat et doivent être fabriquées en matériau épais. Ceci est très important pour les surfaces à dessus lisse. La base ne doit pas dépasser de l'élément de plus de 2,5 cm (1 po).

Si les marmites à conserves et les casseroles ne sont pas conformes à ces normes, les durées de cuisson seront plus longues et les surfaces de cuisson pourront être endommagées.

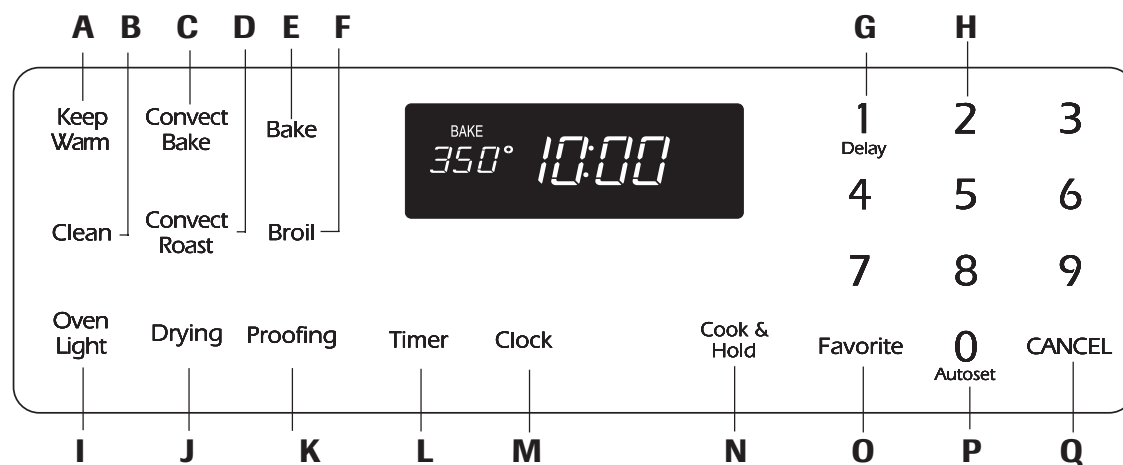
Certaines marmites pour les conserves sont conçues avec des bases plus petites pour être utilisées sur des surfaces à dessus lisse.

**Pour la préparation de conserves, ne choisir que le réglage High (Élevé) jusqu'à ce que l'eau commence à bouillir** ou que la pression suffisante soit atteinte dans la marmite. Réduire au réglage le plus faible, maintenant l'ébullition ou la pression. Si la chaleur n'est pas diminuée, la surface de cuisson pourrait être endommagée.

Voir la brochure La cuisson simplifiée pour obtenir plus d'informations.

# CUISSON DANS LE FOUR

## Tableau de commande



Le tableau de commande est conçu pour faciliter la programmation. La fenêtre d'affichage indique l'heure, les fonctions avec minuterie et fonctions du four. Le tableau de commande représenté comprend la convection et d'autres caractéristiques spécifiques au modèle. (Le style peut varier selon le modèle.)

<b>A</b>	Maintien au chaud	S'utilise pour maintenir au chaud dans le four les aliments cuits.
<b>B</b>	Nettoyage	S'utilise pour programmer le cycle d'autonettoyage.
<b>C</b>	Cuisson avec convection	S'utilise pour la cuisson avec convection. (certains modèles)
<b>D</b>	Rôtissage avec convection	S'utilise pour le rôtissage avec convection. (certains modèles)
<b>E</b>	Cuisson courante	S'utilise pour la cuisson courante et le rôtissage.
<b>F</b>	Gril	S'utilise pour la cuisson au gril et le rissolage sur partie supérieure.
<b>G</b>	Démarrage différé	Programme le four pour débiter une cuisson ou un nettoyage plus tard.
<b>H</b>	Touches numériques	S'utilisent pour programmer températures et durées.
<b>I</b>	Lampe du four	S'utilise pour allumer ou éteindre la lumière du four.
<b>J</b>	Dessiccation (certains modèles)	S'utilise pour déshydrater les fruits, légumes, herbes aromatiques, etc.
<b>K</b>	Fermentation (certains modèles)	S'utilise pour faire lever des produits de boulangerie à base de levure avant de les cuire.
<b>L</b>	Minuterie	Programme la minuterie.
<b>M</b>	Horloge	S'utilise pour programmer l'heure du jour.
<b>N</b>	Cuisson et maintien	Pour cuire pendant une durée préétablie, avec maintien au chaud pendant une heure.
<b>O</b>	Favori	S'utilise pour programmer et sauvegarder une méthode particulière de cuisson et maintien.
<b>P</b>	Programmation automatique	S'utilise pour programmer rapidement les températures.
<b>Q</b>	ANNULER	Annule toutes les opérations sauf minuterie et horloge.

## Utilisation des touches

- Appuyer sur la touche désirée.
- Appuyer sur les touches numériques pour entrer la durée ou la température.
- Appuyer sur la touche Autose 0 pour entrer la température.
- Un bip retentit lorsque l'on appuie sur une touche.
- Un double bip retentit en cas d'erreur de programmation.

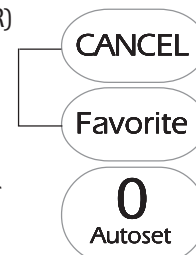
**Remarque:** Quatre secondes après avoir entré les chiffres, la durée ou la température seront automatiquement enregistrées. Si plus de 30 secondes s'écoulent entre la pression sur une touche de fonction et celle sur les touches numériques, la fonction est annulée et l'afficheur revient à l'affichage précédent.

## Horloge

L'horloge peut être programmée pour afficher la durée dans un format de 12 ou 24 heures. L'horloge est programmée en usine pour un format de 12 heures.

### Changement de l'horloge à un format de 24 heures :

1. Appuyer sur les touches CANCEL (ANNULER) et Favorite (Favori) et maintenir la pression pendant trois secondes.
  - 12 Hr clignote à l'afficheur.
2. Appuyer sur la touche Autose 0 pour sélectionner 24 Hr; appuyer de nouveau pour choisir 12 Hr.
3. Programmer l'heure en suivant les instructions données dans la section Réglage de l'horloge.



# CUISSON DANS LE FOUR

## Réglage de l'horloge :

1. Appuyer sur la touche Clock (Horloge).
  - L'heure clignote à l'afficheur.
2. Appuyer sur les touches numériques appropriées pour programmer l'heure du jour.
  - Deux points clignotent à l'afficheur.
3. Appuyer à nouveau sur la touche Clock ou attendre quatre secondes.
  - Les deux points restent.

Lorsque le courant électrique arrive ou après une interruption de courant, la dernière heure avant l'interruption de courant va clignoter.

Pour rappeler l'heure du jour lorsqu'une autre fonction de durée s'affiche, appuyer sur la touche Clock.

L'heure de l'horloge ne peut être changée lorsque le four a été programmé pour une cuisson ou un nettoyage différé ou pour la fonction de cuisson et maintien.

## Annulation de l'affichage de l'heure :

Si l'on ne désire pas l'affichage de l'heure du jour :

Appuyer sur les touches CANCEL (ANNULER) et Clock (Horloge) et les maintenir ainsi pendant trois secondes. L'heure du jour disparaît de l'afficheur.

Lorsque l'affichage de l'heure est annulé, appuyer sur la touche Clock pour afficher brièvement l'heure du jour.

Lorsque l'affichage de l'heure est annulé, après 15 minutes, le four passe en **mode Attente** pour économiser de l'énergie. L'afficheur sera vierge et l'éclairage du four ne fonctionnera pas. Pour « réveiller » les commandes à partir du mode attente, appuyer sur n'importe quelle touche. Un double bip retentira.

## Réaffichage de l'heure :

Appuyer sur les touches CANCEL et Clock et les maintenir ainsi pendant trois secondes. L'heure du jour réapparaît à l'afficheur.

## Minuterie

La minuterie peut être programmée de une minute (0:01) jusqu'à 99 heures et 59 minutes (99:59).

La minuterie peut être utilisée indépendamment de toute autre activité du four. Elle peut être aussi programmée alors qu'une autre fonction du four est en cours d'utilisation.

La minuterie ne commande pas le four. Elle ne sert qu'à émettre des bips.

## Programmation de la minuterie :

1. Appuyer sur la touche Timer (Minuterie).
  - 0:00 et le mot TIMER (MINUTERIE) clignotent à l'afficheur.

Clock

2. Appuyer sur les touches numériques appropriées jusqu'à ce que l'heure juste paraisse à l'afficheur.
  - Les deux points et le mot TIMER continuent à clignoter.
3. Appuyer à nouveau sur la touche TIMER ou attendre quatre secondes.
  - Les deux points s'arrêtent de clignoter et le décompte de la durée commence.
  - La dernière minute du décompte sera affichée sous forme de secondes.
4. À la fin de la durée programmée, un bip long retentit et le mot End (Fin) sera affiché.
5. Appuyer sur la touche TIMER pour effacer l'afficheur.

## Annulation de la minuterie :

1. Appuyer sur la touche Timer et la maintenir ainsi pendant trois secondes.  
OU  
0
2. Appuyer sur la touche Timer et sur la touche numérique « 0 ».

Timer

0

## Verrouillage des commandes et de la porte du four

La porte du four et les touches peuvent être verrouillées pour des raisons de sécurité, nettoyage ou pour empêcher toute utilisation non souhaitée. Les touches ne fonctionneront pas si elles sont verrouillées.

Si le four est en cours d'utilisation, les touches et la porte ne peuvent être verrouillées.

L'heure actuelle du jour restera à l'afficheur lorsque les touches et la porte seront verrouillées.

## Verrouillage :

Appuyer sur les touches CANCEL et Cook & Hold (Cuisson et maintien) et les maintenir ainsi pendant trois secondes. (Appuyer d'abord sur la touche CANCEL.)

- OFF (ARRÊT) paraît à l'afficheur.
- Le mot LOCK (VERROUILLAGE) clignote lorsque la porte est en cours de verrouillage.

## Déverrouillage :

Appuyer sur les touches CANCEL et Cook & Hold et les maintenir ainsi pendant trois secondes. (Appuyer d'abord sur la touche CANCEL.) Le mot OFF (ARRÊT) disparaît de l'afficheur.

**Remarque :** La porte du four et les touches ne peuvent être verrouillées si la température du four est de 205 °C (400 °F) ou plus.

CANCEL

Clock

CANCEL

Cook & Hold

# CUISSON DANS LE FOUR

## Codes d'anomalie

Les mots BAKE (CUISSON COURANTE) ou LOCK (VERROUILLAGE) peuvent clignoter rapidement à l'afficheur pour prévenir en cas d'erreur ou de problème. Si tel est le cas, appuyer sur la touche CANCEL. Si les mots BAKE ou LOCK continuent à clignoter, débrancher l'appareil. Attendre quelques minutes, puis rebrancher l'appareil. Si un des mots continue à clignoter, débrancher l'appareil et prendre contact avec un réparateur autorisé.

## Cuisson courante

### Programmation de la cuisson courante :

- Appuyer sur la touche Bake (Cuisson courante).
  - Le mot BAKE (CUISSON COURANTE) clignote.
  - 000 clignote à l'afficheur.
- Sélectionner la température du four. Appuyer sur la touche Autoset 0 (Programmation automatique) pour 175 °C (350 °F) ou sur les touches numériques appropriées.
  - Chaque pression additionnelle de la touche Autoset 0 augmente la température de 15 °C (25 °F).
  - La température peut être programmée de 75 à 285 °C (170 à 550 °F).
- Appuyer de nouveau sur la touche Bake ou attendre quatre secondes.
  - Le mot BAKE s'arrête de clignoter et s'allume à l'afficheur.

Bake

0  
Autoset



- 38° (100°) ou la température réelle du four, si la température est de plus de 38 °C (100 °F), sera affichée. Elle augmentera par intervalle de 3 °C (5 °F) jusqu'à ce que la température préprogrammée soit atteinte.
- Laisser le four préchauffer pendant 8 à 15 minutes.
  - Lorsque la température programmée pour le four est atteinte, un bip long retentit.
  - La température programmée s'affiche.
  - Pour rappeler la température programmée pendant le préchauffage, appuyer sur la touche Bake.
- Placer la nourriture dans le four.
- Vérifier l'avancement de la cuisson à la durée minimale de cuisson. Cuire plus longtemps au besoin.
- Lorsque la cuisson est terminée, appuyer sur la touche CANCEL (ANNULER).
- Retirer la nourriture du four.

CANCEL

## Remarques sur la cuisson courante au four :

- Pour changer la température du four pendant la cuisson**, appuyer sur Bake, puis sur la touche Autoset 0 ou les touches numériques appropriées jusqu'à ce que la température désirée soit affichée.
- Pour changer la température du four lors du préchauffage**, appuyer **deux fois** sur la touche Bake, puis sur la touche Autoset 0 ou sur les touches numériques appropriées jusqu'à ce que la température désirée soit affichée.
- Si l'on oublie d'arrêter le four, il s'arrêtera automatiquement après 12 heures. Si l'on désire désactiver cette fonction, voir page 47.
- Pour des conseils supplémentaires sur la cuisson courante et le rôtissage, voir la brochure La cuisson simplifiée.

## Différences de cuisson entre l'ancien four et le nouveau

Il est normal de remarquer quelques différences dans la durée de cuisson entre un four neuf et un four ancien. Voir Ajustement de la température du four à la page 51.

## Cuisson avec convection

(certains modèles)

**Pour la cuisson avec convection, entrer la température de cuisson normale.** La commande réduit automatiquement la température programmée de 15 °C (25 °F). La température entrée sera affichée.

### Programmation de la cuisson avec convection :

- Appuyer sur la touche Convect Bake (Cuisson avec convection).
  - Le mot BAKE et l'icône VENTILATEUR clignotent.
  - 000 clignote à l'afficheur.
- Sélectionner la température du four. Appuyer sur la touche Autoset 0 pour 175 °C (350 °F) ou sur les touches numériques appropriées.
  - Chaque pression additionnelle sur la touche Autoset 0 augmente la température de 15 °C (25 °F). La température du four peut être programmée de 75 à 285 °C (170 à 550 °F).

Convect  
Bake

0  
Autoset

suite . . .

# CUISSON DANS LE FOUR

- Appuyer à nouveau sur la touche Convect Bake ou attendre quatre secondes.
  - Le mot BAKE (CUISSON COURANTE) s'arrête de clignoter.
  - 38° (100°) ou la température réelle du four, si la température est de plus de 38 °C (100 °F), sera affichée. Elle augmentera par intervalle de 3 °C (5 °F) jusqu'à ce que la température préprogrammée soit atteinte.
  - L'icône VENTILATEUR se met à tourner.
- Laisser le four préchauffer pendant 8 à 15 minutes.
  - Lorsque la température programmée pour le four est atteinte, un bip long retentit.
  - La température programmée s'affiche.
  - Pour rappeler la température programmée pendant le préchauffage, appuyer sur la touche Convect Bake.



- Placer la nourriture dans le four.
- Vérifier l'avancement de la cuisson à la durée minimale de cuisson. Cuire plus longtemps au besoin.
- Lorsque la cuisson est terminée, appuyer sur la touche CANCEL (ANNULER).
- Retirer la nourriture du four.

CANCEL

## Rôtissage avec convection (certains modèles)

**Pour le rôtissage avec convection, entrer la température et la durée de rôtissage normales.** Le programmeur indique automatiquement de vérifier la cuisson de la nourriture à 75 % de la durée programmée.

### Remarques sur le rôtissage :

- Lors du rôtissage avec convection, la durée de cuisson doit être programmée avant la température.
- S'il faut, d'après la recette, préchauffer le four, ajouter 15 minutes à la durée de cuisson programmée.
- Les durées de rôtissage peuvent varier selon les coupes de viande.
- Il n'est pas nécessaire de préchauffer lors du rôtissage avec convection de gros morceaux de viande.
- Se reporter à la brochure La cuisson simplifiée pour connaître les durées et températures de rôtissage suggérées.

### Programmation du rôtissage avec convection :

- Appuyer sur la touche Convect Roast (Rôtissage avec convection).
  - Le mot ROAST (RÔTISSAGE) et l'icône VENTILATEUR clignotent.
  - 00:00 clignote à l'afficheur.
  - 000 s'allume à l'afficheur.
- Entrer la durée de rôtissage à l'aide des touches numériques.
  - La durée peut être réglée de 10 minutes (00:10) à 11 heures et 59 minutes (11:59).
  - Appuyer à nouveau sur Convect Roast ou attendre 4 secondes.
  - Le mot ROAST et l'icône VENTILATEUR clignotent à l'afficheur.
  - 000 clignote à l'afficheur.

Convect  
Roast

cont.

# CUISSON DANS LE FOUR

3. Sélectionner la température du four. Appuyer sur la touche Autosest 0 (Programmation automatique) pour 165 °C (325 °F) ou sur les touches numériques appropriées.



- Chaque pression additionnelle sur la touche Autosest 0 augmente la température de 15 °C (25 °F).
- La température du four peut être programmée de 75 à 285 °C (170 à 550 °F).

4. Appuyer à nouveau sur la touche Convect Roast ou attendre quatre secondes.

- Le mot ROAST s'arrête de clignoter et s'allume à l'afficheur.
- 38° (100°) ou la température réelle du four, si la température est de plus de 38 °C (100 °F), sera affichée. Elle augmentera par intervalle de 3 °C (5 °F) jusqu'à ce que la température préprogrammée soit atteinte.
- L'icône VENTILATEUR se met à tourner.



## Remarques :

- S'il faut un préchauffage, laisser le four préchauffer pendant 8 à 15 minutes.
- Lorsque la température programmée pour le four est atteinte, un bip long retentit.

5. Placer la nourriture dans le four.

- La durée commence le compte à rebours dès que le four se met à chauffer.
- Pour rappeler la température programmée pendant le préchauffage, appuyer sur la touche Convect Roast.

6. Lorsque les trois quarts de la durée de cuisson programmée se sont écoulés, le four se met en marche et le mot FOOD (NOURRITURE) clignote à l'afficheur. Vérifier l'avancement de la cuisson à ce moment. Cuire plus longtemps au besoin.

- La lampe du four reste allumée jusqu'à ce que l'on appuie sur la touche Oven Light (Lampe du four).
- Appuyer sur n'importe quelle touche pour rappeler la durée de cuisson restante.

7. Lorsque la cuisson est terminée, appuyer sur la touche CANCEL (ANNULER).



8. Retirer la nourriture du four.

## Cuisson et maintien

Lors de l'utilisation de l'option **Cook & Hold (Cuisson et maintien)**, le four se met à chauffer immédiatement une fois que la commande a été programmée. Puis, le four cuit pendant la durée spécifiée. Lorsque cette durée s'est écoulée, le four maintient la nourriture au chaud pendant une heure au maximum, puis s'éteint automatiquement.

### Programmation de Cuisson et maintien :

1. Appuyer sur la touche Cook & Hold (Cuisson et maintien).



- Le mot HOLD (MAINTIEN) clignote pour indiquer que la programmation de cuisson et maintien est en cours.

- 00:00 clignote à l'afficheur.

2. Sélectionner la durée désirée de cuisson en utilisant les touches numériques.

- Le mot HOLD continue à clignoter.

- La durée s'allume à l'afficheur.

- La durée peut être réglée de 10 minutes (00:10) à 11 heures et 59 minutes (11:59).

3. Alors que le mot HOLD clignote, appuyer sur la touche Bake (Cuisson courante), Convect Bake (Cuisson avec convection) ou Convect Roast (Rôtissage avec convection) (certains modèles) et sélectionner la température du four. Appuyer sur la touche Autosest 0 (Programmation automatique) pour 175 °C (350 °F) ou sur les touches numériques appropriées.



- Le mot correspondant à la fonction désirée clignote.

- La température du four peut être programmée de 75 à 285 °C (170 à 550 °F).

4. Appuyer à nouveau sur la touche de fonction désirée OU attendre quatre secondes.

- Le mot correspondant à la fonction désirée reste allumé.

- La durée de cuisson paraît à l'afficheur.

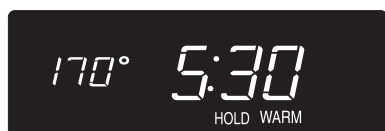
- La température réelle du four sera affichée pendant le préchauffage.

- La température programmée s'affiche lorsque le four est préchauffé.

# CUISSON DANS LE FOUR

## Lorsque la durée de cuisson s'est écoulée :

- Quatre bips retentissent.
- Les mots HOLD (MAINTIEN) et WARM (CHAUD) s'allument.
- 75° (170°) paraît à l'afficheur.
- L'heure du jour paraît à l'afficheur.



## Après une heure de MAINTIEN AU CHAUD :

- Le four s'éteint automatiquement.
- Les mots HOLD et WARM s'éteignent.
- Retirer la nourriture du four.

## Annulation de Cook & Hold à tout moment :

Appuyer sur la touche CANCEL (ANNULER). Retirer la nourriture du four.

CANCEL

## Cuisson et maintien différés



### ATTENTION


Ne pas utiliser la cuisson différée pour des denrées très périssables comme les produits laitiers, le porc, la volaille ou les fruits de mer.

Avec la fonction **différée**, le four se met à cuire plus tard dans la journée. Programmer la durée d'attente désirée avant que le four ne se mette en marche et la durée de cuisson désirée. Le four commence à chauffer à l'heure sélectionnée et cuit pour la durée spécifiée.

La durée d'attente peut être programmée de 10 minutes (00:10) à 11 heures et 59 minutes (11:59).

### Programmation d'un cycle de cuisson et maintien différés :

1. Appuyer sur la touche 1 Delay. 
  - Le mot DELAY (ATTENTE) clignote à l'afficheur.
  - 00:00 clignote à l'afficheur.
2. À l'aide des touches numériques appropriées, **entrer la durée d'attente avant que ne débute** le cycle de cuisson et maintien.
3. Appuyer sur la touche Cook & Hold. 
  - Les mots HOLD et DELAY clignotent à l'afficheur.
  - 00:00 clignote à l'afficheur.
4. Entrer **la durée désirée de cuisson** à l'aide des touches numériques.
5. Appuyer sur la touche Bake (Cuisson courante), Convection Bake (Cuisson avec convection) ou Convection Roast (Rôtissage avec convection) (certains modèles).

6. **Programmer la température du four** désirée en appuyant sur la touche Autosest 0 (Programmation automatique) ou sur les touches numériques appropriées. 

- 175° (350°) s'allume lorsque l'on appuie sur la touche Autosest 0.
- Après quatre secondes, la durée d'attente entrée paraît à l'afficheur.
- Le mot HOLD s'éteint.
- Les mots BAKE (CUISSON COURANTE) et DELAY (ATTENTE) restent allumés pour rappeler qu'un cycle de cuisson et maintien différés a été programmé.



### Remarques :

- Ne pas utiliser le cycle de cuisson et maintien différés pour des articles qui nécessitent que le four soit préchauffé, comme les gâteaux, les petits biscuits et les pains.
- Ne pas utiliser le cycle de cuisson et maintien différés si le four est déjà chaud.

## Maintien au chaud

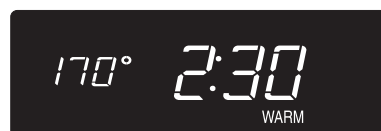
Pour maintenir au chaud dans le four des aliments cuits et chauds ou pour réchauffer pains et assiettes.

### Programmation du Maintien au chaud :


1. Appuyer sur la touche Keep Warm (Maintien au chaud). 
  - Le mot WARM (CHAUD) clignote à l'afficheur.
  - 000 clignote à l'afficheur.
2. Sélectionner la température de maintien au chaud. Appuyer sur la touche Autosest 0 (Programmation automatique) ou sur les touches numériques appropriées. 
  - 75° (170°) s'allume lorsque l'on appuie sur la touche Autosest 0.
  - Chaque pression sur la touche Autosest 0 augmente la température de 3 °C (5 °F).

La température de maintien au chaud peut être programmée de 63 à 90 °C (145 à 190 °F).

Le mot WARM (CHAUD) et la température seront affichés pendant que la fonction est active.



### Annulation du maintien au chaud :

1. Appuyer sur la touche CANCEL (ANNULER). 
2. Retirer la nourriture du four.

suite . . .

# CUISSON DANS LE FOUR

## Remarques sur la fonction de maintien au chaud :

- Pour obtenir des qualités alimentaires et nutritives optimales, les aliments ne doivent pas être gardés au chaud plus de 1 à 2 heures.
- Pour empêcher les aliments de dessécher, les recouvrir de papier aluminium, sans serrer, ou d'un couvercle.
- **Pour réchauffer des petits pains :**
  - recouvrir les petits pains de papier aluminium sans serrer et les placer au four.
  - appuyer sur les touches Keep Warm et Autoset 0.
  - réchauffer pendant 15 à 20 minutes.
- **Pour réchauffer des assiettes :**
  - placer deux piles de quatre assiettes maximum dans le four.
  - appuyer sur les touches Keep Warm et Autoset 0.
  - réchauffer pendant 5 minutes, arrêter le four et laisser les assiettes au four pendant encore 15 minutes.
  - n'utiliser que des assiettes pouvant aller au four, à vérifier avec le fabricant.
  - ne pas poser des assiettes tièdes sur une surface froide, les changements rapides de température pouvant casser l'assiette ou la fendiller.

## Fermentation (certains modèles)

Cette caractéristique s'utilise pour faire lever des produits de boulangerie à base de levure avant de les cuire. La fermentation dans le four protège la pâte des changements de température ou des courants d'air qui affectent couramment les résultats de l'opération faite sur le comptoir.

1. Appuyer sur la touche Proofing (Fermentation). **Proofing**
  - Le mot PROOF (FERMENTATION) clignote à l'afficheur.
  - Le mot SET (VALIDER) clignote à l'afficheur.
2. Appuyer sur la touche Autoset 0 (Programmation automatique).
  - Le mot PROOF s'allume à l'afficheur.
3. Lorsque la fermentation est terminée, appuyer sur la touche CANCEL (ANNULER). **CANCEL**

## Arrêt automatique/Mode sabbat

Le four s'arrête automatiquement après 12 heures s'il a été accidentellement laissé en marche. Cette caractéristique de sécurité peut être arrêtée.

### Pour annuler l'arrêt 12 heures et faire fonctionner le four en continu pendant 72 heures :

1. Appuyer sur la touche Clock (Horloge) et la maintenir ainsi pendant cinq secondes. **Clock**

- SAb sera affiché et clignotera pendant cinq secondes.
- SAb sera ensuite affiché en continu jusqu'à ce qu'on l'arrête ou jusqu'à ce que la durée limite de 72 heures soit atteinte.
- Le mot BAKE (CUISSON COURANTE) sera aussi affiché si un cycle de cuisson courante est en cours alors que le four est en mode sabbat.
- Toutes les autres fonctions (MINUTERIE, MAINTIEN AU CHAUD, NETTOYAGE, etc.) sont verrouillées, SAUF BAKE, pendant le mode sabbat.
- Un cycle de cuisson et maintien peut être programmé durant le mode sabbat. Cependant, un cycle de cuisson et maintien différés n'est pas possible.

### Annulation du mode sabbat :

1. Appuyer sur la touche Clock pendant cinq secondes. **Clock**
  - SAb clignote pendant cinq secondes.
  - L'heure du jour revient à l'afficheur.OU
2. Après 72 heures, le mode sabbat se termine.
  - SAb clignote pendant cinq secondes.
  - L'heure du jour revient à l'afficheur.

## Remarques sur le mode sabbat :

- Le mode sabbat peut être mis en marche à tout moment, que le four soit en marche ou non.
- Le mode sabbat ne peut pas être mis en marche si les touches sont verrouillées ou la porte verrouillée.
- La majorité des messages et tous les bips sont désactivés lorsque le mode sabbat est actif.
- Si le four est en mode cuisson lorsque le mode sabbat est programmé, le mot BAKE (CUISSON COURANTE) s'éteint lorsque la cuisson courante est annulée. Il n'y aura aucun signal sonore audible.
- La lampe du four ne s'allume pas automatiquement à l'ouverture de la porte lorsque le four est en mode sabbat. Si l'éclairage du four est souhaité pendant le mode sabbat, la lampe devra être allumée avant que le mode sabbat ne débute.
- Lorsque le mode sabbat a démarré, l'afficheur indique immédiatement la température programmée plutôt que la température réelle de la cavité du four. Aucun bip de préchauffage ne retentit.
- Le cycle d'autonettoyage et le verrouillage automatique de la porte ne fonctionnent pas pendant le mode sabbat.
- Si l'on appuie sur la touche CANCEL, un cycle de cuisson courante au four sera annulé. Cependant, le programmeur restera en mode sabbat.
- Après une panne de courant, le four revient en mode sabbat avec 72 heures restantes et aucun cycle actif.

# CUISSON DANS LE FOUR

## Cuisson au grill

### Programmation de la cuisson au grill :

- Appuyer sur la touche Broil (Gril).
  - Les mots BROIL (GRIL) et SET (VALIDER) clignotent à l'afficheur.
- Appuyer sur la touche Autoset 0 (Programmation automatique) une fois pour programmer un grill à température élevée ou deux fois pour programmer un grill à température basse.
  - Les mots HI (ÉLEVÉE) ou LO (BASSE) seront affichés.
  - Sélectionner HI broil (Gril à température élevée) (285 °C [550 °F]) pour un grill normal. Sélectionner LO broil (Gril à température basse) (230 °C [450 °F]) pour un grill à température inférieure d'aliments à cuisson plus longue comme la volaille.
- Après quatre secondes, le four se met en marche.
  - Le mot BROIL reste allumé.
  - Les mots HI ou LO restent allumés.



Broil

0  
Autoset

- Pour un rissolage maximum, préchauffer l'élément de grill pendant 3 ou 4 minutes avant d'ajouter la nourriture.
- Placer la nourriture dans le four. Laisser la porte du four ouverte d'environ 10 cm (4 po) (première butée).
- Retourner la viande une fois à la moitié de la durée de cuisson.
- Lorsque l'aliment est cuit, appuyer sur la touche CANCEL (ANNULER). Retirer la nourriture et la lèchefrite du four.
  - L'heure du jour réapparaît à l'afficheur.

CANCEL

### Remarques sur la cuisson au grill :

- Pour de meilleurs résultats lors du grill, se servir d'un ustensile prévu pour ce type de cuisson.
- Prévoir des durées de cuisson au grill plus longues et un rissolage légèrement moins doré si l'appareil fonctionne sur un circuit de 208 volts.
- Le grill au réglage HI (Élevé) est utilisé pour la majorité des opérations de cuisson au grill. Utiliser le grill au réglage LO (Bas) pour la cuisson de mets devant cuire plus longtemps, afin de leur permettre d'être bien cuits sans rissolage excessif.
- Les durées de cuisson au grill peuvent être plus longues avec une température de grill inférieure.
- Retourner la plupart des aliments lorsque la moitié de la durée prévue pour la cuisson au grill s'est écoulée.
- Pour des températures et des conseils supplémentaires sur la cuisson au grill, se reporter à la brochure La cuisson simplifiée.

### Tableau de cuisson au grill

ALIMENTS	POSITION DES GRILLES	DURÉE APPROX. PREMIER CÔTÉ	DURÉE APPROX. DEUXIEME CÔTÉ	
<b>Bœuf</b> Bifteck, 2,5 cm (1 po) d'épaisseur Hamburgers, 2 cm (3/4 po) d'épaisseur	À point Bien cuit Bien cuits	6 6 6 ou 7	8 minutes 10 minutes 9 minutes	7 - 12 minutes 8 - 14 minutes 6 - 9 minutes
<b>Porc</b> Bacon Côtelettes, 2,5 cm (1 po) Tranche de jambon	6 6 6	6 - 10 minutes 10 - 11 minutes 5 minutes	(sans retourner) 12 - 14 minutes 3 - 7 minutes	
<b>Volaille</b> Demi-poitrine	4	LO Broil - Gril à température basse 15 minutes	LO Broil - Gril à température basse 15 - 25 minutes	
<b>Fruits de mer</b> Darnes de poisson, beurrées, 2,5 cm (1 po) d'épaisseur Queues de homard, 85 à 115 g (3 à 4 onces) chacune	6 5	10 - 15 minutes 7 - 10 minutes	(sans retourner) (sans retourner)	

**Remarque :** Ce tableau n'est qu'un guide de suggestions. Les durées peuvent varier selon l'aliment à cuire.

# CUISSON DANS LE FOUR

## Dessiccation (certains modèles)

Pour de meilleurs résultats, utiliser une grille de dessiccation qui permet à l'air de circuler uniformément autour de la nourriture.

Le ventilateur de convection fonctionne pendant la dessiccation.

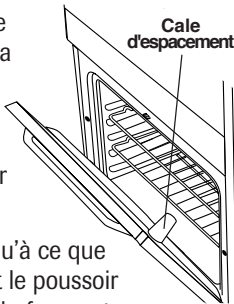
### Programmation de la dessiccation :

1. Placer les aliments dans le four.

- Ouvrir légèrement la porte du four.

La porte du four doit être légèrement ouverte pour permettre à l'humidité de s'échapper du four lors du processus de dessiccation.

- Placer la cale d'espacement magnétique de la porte (pièce n° 8010P146-60) sur la zone circulaire légèrement en retrait au droit supérieur de la porte du four. Cette cale permet de laisser un espace entre le cadre du four et la porte du four pour que l'humidité s'échappe.



- Fermer doucement la porte du four jusqu'à ce que la cale repose contre le cadre du four et le poussoir du commutateur d'éclairage. La lampe du four restera ÉTEINTE si la cale est à la bonne place.

**Remarque :** Si la cale n'est pas correctement placée, le ventilateur de convection ne fonctionnera pas.

2. Appuyer sur la touche Drying (Dessiccation).

- Le mot DRY (DESSICCATION) clignote à l'afficheur.

Drying

3. Appuyer sur la touche Autoset 0 (Programmation automatique) pour programmer une température de 60 °C (140 °F) ou appuyer sur les touches numériques correspondant à la température de dessiccation souhaitée.

0  
Autoset

- La pression sur la touche Autoset 0 augmente la température par intervalle de 7 °C (10 °F).
- La température peut être réglée entre 38 et 94 °C (100 et 200 °F).

4. Après quatre secondes, le mot DRY et la température sélectionnée paraîtront à l'afficheur.

CANCEL

5. Lorsque la dessiccation est terminée, arrêter le four en appuyant sur la touche CANCEL (ANNULER).

Suivre le guide de dessiccation de la page 50 pour connaître les durées de dessiccation. Vérifier les aliments aux durées minimum indiquées. Refroidir les aliments à la température ambiante avant de vérifier s'ils sont bien déshydratés.

### Remarques sur la dessiccation :

- Pour acheter une grille de dessiccation, prendre contact avec un détaillant Jenn-Air afin d'obtenir l'accessoire « DRYINGRACK », ou composer le 1-800-JENNAIR.
- La majorité des fruits et légumes sèchent bien et conservent leur couleur une fois séchés à 60 °C (140 °F). Les viandes fraîches et séchées doivent être déshydratées à 63 °C-65 °C (145 °F-150 °F). Pour obtenir des résultats optimaux, dessécher les herbes aromatiques à 38 °C (100 °F). Cependant, à cette température inférieure, prévoir des durées de séchage pouvant aller jusqu'à 8 heures.
- La durée de dessiccation varie selon les critères suivants: contenu en eau et sucre de l'aliment, taille des morceaux, quantité d'aliments à déshydrater, humidité dans l'air.
- Vérifier les aliments au temps de séchage minimum. Les sécher plus longtemps au besoin.
- Les fruits qui brunissent une fois exposés à l'air doivent être traités avec un antioxydant. Essayer l'une des méthodes suivantes:
  1. Tremper le fruit dans un mélange composé de 2 parties de jus de citron en bouteille pour une partie d'eau fraîche.
  2. Tremper le fruit dans une solution d'acide ascorbique ou d'antioxydant commercial à raison de une cuillère à thé pour 1 litre (1 pinte) d'eau froide.
- Les aliments peuvent s'égoutter lors du processus de dessiccation. Après la dessiccation d'aliments à contenu élevé en sucre ou acide, la sole du four doit être nettoyée à l'eau et au savon. Le fini porcelanisé peut se décolorer si les projections de sucre ou d'acide ne sont pas essuyées avant que le four ne soit chauffé à chaleur élevée ou avant un cycle d'autonettoyage.
- Il est possible d'utiliser plus d'une grille à la fois. Cependant, une durée supplémentaire est nécessaire.
- Consulter d'autres sources (comme la bibliothèque de la région) pour obtenir des informations supplémentaires.

# CUISSON DANS LE FOUR

## Guide de dessiccation (certains modèles)

FRUITS	MEILLEURES VARIÉTÉS POUR LA DESSICCATION	PRÉPARATION	DURÉE APPROX. À 60 °C (140 °F)**	RÉSULTATS DE DESSICCATION APRÈS DURÉE MINIMALE
<b>Pommes*</b>	Variétés fermes: Graven Stein, Granny Smith, Jonathan, Winesap, Rome Beauty, Newton.	Laver, peler au besoin, évider et couper en tranches de 3 mm (1/8 po).	4 à 8 heures	Souples à croustillantes. Les pommes desséchées se conservent mieux lorsqu'elles sont légèrement croustillantes.
<b>Abricots*</b>	Blenheim/Royal: les plus courantes. Tilton aussi est une bonne variété.	Laver, couper en deux et retirer les noyaux.	18 à 24 heures	Souples et flexibles.
<b>Bananes*</b>	Variétés fermes.	Peler et couper en tranches de 6 mm (1/4 po).	17 à 24 heures	Souples à croustillantes.
<b>Cerises</b>	Lambert, Royal Ann, Napoleon, Van ou Bing.	Laver et retirer les queues. Couper en deux et retirer les noyaux.	18 à 24 heures	Souples et caoutchouteuses.
<b>Nectarines et pêches*</b>	Variétés à noyau non adhérent.	Couper en deux et retirer les noyaux. Épluchage facultatif, mais fruits séchés de meilleur aspect.	24 à 36 heures	Souples et caoutchouteuses.
<b>Poires*</b>	Bartlett	Peler, couper en deux et évider.	24 à 36 heures	Souples et flexibles.
<b>Ananas</b>	Frais ou en boîte.	Laver, peler et retirer les points épineux. Trancher dans le sens de la longueur et retirer le petit noyau central. Couper diagonalement en tranches de 13 mm (1/2 po).	En boîte : 14 à 18 heures Frais : 12 à 16 heures	Souple et flexible.
<b>Écorces d'orange et de citron</b>	Choisir des fruits à écorce rugueuse. Ne pas sécher l'écorce du fruit s'il est marqué «colorant ajouté».	Bien laver. Enlever l'écorce externe sur 1,5 mm (1/16 po) à 3 mm (1/8 po). Ne pas utiliser la partie blanche amère sous l'écorce.	1 à 2 heures	Dures à cassantes.
<b>LÉGUMES</b>				
<b>Tomates</b>	Oblongues, Roma	Couper en deux, retirer les graines. Placer les tomates peau vers le haut sur la grille. Percer des trous à la fourchette dans la peau.	12 à 18 heures	Dures à croustillantes.
<b>Carottes</b>	Type demi-long Danvers, Imperator, Red Cored Chantenay.	Ne pas utiliser les carottes si elles sont fibreuses ou creuses. Laver, enlever les feuilles et peler au besoin. Trancher transversalement ou diagonalement en tranches de 6 mm (1/4 po). Blanchir à la vapeur 3 minutes.	4 à 8 heures	Dures à cassantes.
<b>Piments forts</b>	Ancho, Anaheim.	Laver, couper en deux et enlever les graines. Percer la peau plusieurs fois à la fourchette.	4 à 6 heures	Les gousses doivent apparaître ridées, rouge foncé et croustillantes.
<b>HERBES AROMATIQUES</b>				
<b>Persil, menthe, coriandre, sauge, origan</b>		Rincer à l'eau froide. Éponger à l'aide d'un papier essuie-tout. Laisser les queues jusqu'à ce que les feuilles soient sèches, puis les jeter.	1 à 3 heures	Cassants, en miettes.
<b>Basilic</b>		Couper les feuilles à 8-10 cm (3-4 po) du haut de la plante, juste lorsque les bourgeons apparaissent. Rincer les feuilles à l'eau froide.	2 à 5 heures	Cassant, en miettes.

\* Fruits nécessitant un antioxydant pour empêcher la décoloration et la perte de nutriments. Se reporter aux remarques de la page 49 pour connaître les méthodes particulières.

\*\* L'arrêt après 12 heures ne se produit pas lors des fonctions de dessiccation.

# CUISSON DANS LE FOUR

## Ajustement de la température du four

La précision des températures du four a été soigneusement vérifiée à l'usine. Il est normal de remarquer quelques différences dans la cuisson ou la couleur du rissolage obtenu entre un four neuf et un four ancien. Au fur et à mesure que le four est moins neuf, sa température peut varier.

Il est possible d'ajuster la température du four si l'on pense que le four ne cuit pas ou ne rissole pas correctement. Pour décider de l'ajustement à apporter, régler le four à une température de 15 °C (25 °F) plus élevée ou plus basse que la température indiquée dans la recette, puis faire cuire la préparation. Les résultats de « l'essai » de cuisson doivent donner une idée du nombre de degrés duquel la température doit être ajustée.

### Ajustement de la température du four :

1. Appuyer sur la touche Bake (Cuisson courante). **Bake**
2. Entrer 285 °C (550 °F) en appuyant sur les touches numériques appropriées.
3. Appuyer sur la touche Bake et la maintenir ainsi pendant plusieurs secondes ou jusqu'à ce que 00° paraisse à l'afficheur.  
Si la température du four a été précédemment ajustée, le changement sera affiché. Par exemple, si la température du four a été réduite de 8 °C (15 °F), l'afficheur indiquera -8° (-15°).
4. Appuyer sur la touche Autoset 0 (Programmation automatique) pour ajuster la température.  
À chaque fois que l'on appuie sur la touche Autoset 0, la température change de 3 °C (5 °F). La température du four peut être augmentée ou diminuée de 3 à 20 °C (5 à 35 °F).  
Appuyer sur la touche Autoset 0 pour augmenter la température du four (5, 10 . . . 35). Continuer d'appuyer sur la touche Autoset 0 pour diminuer la température du four (-35, -30 . . . -5).
5. L'heure du jour réapparaît automatiquement à l'afficheur.

Il n'est pas nécessaire de réajuster la température du four en cas de panne ou d'interruption de courant. L'ajustement de la température s'applique seulement aux fonctions de cuisson courante, cuisson avec convection et rôtissage avec convection (certains modèles). Les températures de gril et de nettoyage ne peuvent être ajustées.

## Changement de la température °F/°C

1. Le réglage par défaut de l'usine pour la température est en Fahrenheit.
2. Pour modifier ce réglage, appuyer sur les touches CANCEL et Bake simultanément et maintenir-les enfoncées pendant trois secondes.
3. Un bip retentit et le réglage courant (°F ou °C) paraît à l'afficheur. (Si vous ne faites pas de changement, la cuisinière retourne au réglage existant après 30 secondes.)

4. Pour modifier le réglage, appuyer sur la touche Autoset 0. Appuyer à nouveau sur la touche pour retourner au réglage existant. Attendre cinq secondes et le réglage sera effectué.

## Favori

La touche Favorite (favori) permet de sauvegarder la durée et la température d'une fonction de cuisson et maintien.

Pour programmer un cycle Favori, une fonction de cuisson et maintien doit être active ou tout juste programmée.

### Programmation d'un nouveau cycle favori ou sauvegarde d'un cycle en cours de cuisson et maintien comme favori :

1. Programmer un cycle de cuisson et maintien comme il est décrit à la section Cuisson et maintien à la page 45.
2. Appuyer sur la touche Favorite et la maintenir ainsi pendant trois secondes. **Favorite**
  - Le cycle cuisson et maintien nouvellement programmé ou en cours de fonctionnement sera sauvegardé.
  - Un bip sonore retentit pour indiquer que les commandes ont accepté le réglage favori.

### Démarrage d'un cycle programmé dans favori :

1. Appuyer sur la touche Favorite.
  - La durée et la température du cycle programmé de cuisson et maintien seront affichées (si aucun cycle de cuisson et maintien n'a été programmé, « nonE » sera affiché).
2. Appuyer sur la touche Bake, Convection Bake ou Convection Roast (certains modèles).
  - Le cycle favori commence immédiatement.
  - Le mot correspondant au cycle sélectionné s'allume à l'afficheur.
  - La durée de cuisson s'allume à l'afficheur.

### Lorsque la durée de cuisson s'est écoulée :

- Le mot correspondant au cycle sélectionné s'éteint.
- Les mots HOLD (MAINTIEN) et WARM (CHAUD) s'allument.
- 75° (170°) paraît à l'afficheur.

### Annulation d'un cycle favori en cours :

1. Appuyer sur la touche CANCEL (ANNULER). **CANCEL**
  - Le cycle favori sauvegardé ne sera pas affecté.
2. Retirer la nourriture du four.

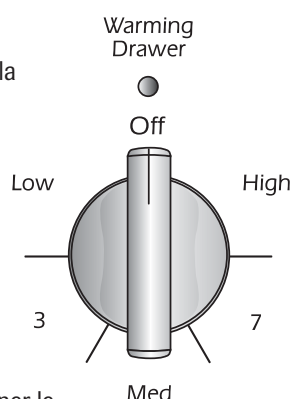
# CUISSON DANS LE FOUR

## Tiroir de réchauffage

Le tiroir de réchauffage sert à maintenir à la température où ils seront servis, des aliments chauds. Il peut aussi être utilisé pour réchauffer des pains et pâtisseries.

### Utilisation :

1. Placer la grille, en cas d'utilisation, à la bonne position.
2. Appuyer sur le bouton de commande et le tourner au réglage désiré.
3. Laisser le tiroir préchauffer pendant dix minutes.
4. Placer l'aliment dans le tiroir de réchauffage.
5. Une fois le réchauffage terminé, tourner le bouton sur **Off** (Arrêt). Retirer l'aliment du tiroir.



### Remarques sur le tiroir de réchauffage :

- Ne pas réchauffer d'aliments pendant plus d'une heure (les œufs, 30 minutes), après qu'ils ont été cuits.
- Les aliments doivent être à la température où ils seront servis avant d'être placés dans le tiroir de réchauffage.
- Les pains, pâtisseries et tartes aux fruits peuvent être réchauffés à partir de la température ambiante sur le réglage **High** (Élevé).
- N'utiliser que des ustensiles pouvant aller au four.
- Retirer les aliments des sachets en plastique et les placer dans des ustensiles allant au four.
- Les assiettes et plats de service peuvent être réchauffés tout en préchauffant le tiroir.
- Recouvrir les aliments d'un couvercle ou d'une feuille d'aluminium. Ne pas utiliser de pellicule plastique. (Les aliments frits n'ont pas besoin d'être recouverts.)

### Tableau de réchauffage

RÉGLAGES SUGGÉRÉS		
Réglage	Aliment	
<b>Med - High</b> (Moyen - Élevé)	Bacon	Bœuf - saignant
	Plats mijotés	Céréales cuites
	Assiette-dîner	Oeufs
	Enchiladas	Poisson/fruits de mer
	Aliments frits	Sauces, sauces à la crème
	Jambon	Galettes de bœuf
	Hors-d'œuvre	Agneau
	Crêpes	Pizza
	Porc	Pommes de terre - cuites
	Volaille	Pommes de terre - en purée
	Légumes	Gaufres
	<b>Low - Med</b> (Bas - Moyen)	Biscuits
Tartes		Assiettes à réchauffer

# CUISSON DANS LE FOUR

## Ventilateur du four

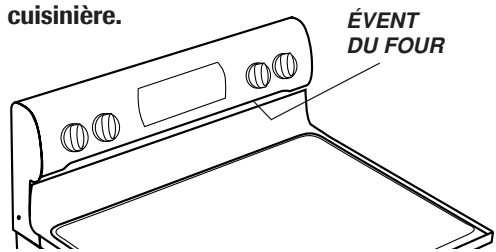
Un ventilateur de convection sert à faire circuler l'air chaud dans le four lorsque la caractéristique de convection est sélectionnée.

**Remarque :** Il s'arrête automatiquement lorsque l'on ouvre la porte.

## Évent du four

Lorsque le four fonctionne, les surfaces voisines de l'évent peuvent devenir assez chaudes pour entraîner des brûlures. Ne jamais bloquer l'évent.

L'évent est situé sous le protecteur d'évent du dosseret, sur la cuisinière.



Ne pas mettre de plastiques près de l'évent, la chaleur pouvant les déformer ou les faire fondre.

## Grilles du four

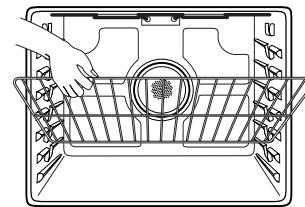
### ! ATTENTION

- Ne pas tenter de changer la position des grilles lorsque le four est chaud.
- Ne pas ranger de nourriture ou d'ustensile dans le four.

Le four comporte deux grilles (trois s'il y a convection) avec, pour chacune, un dispositif de calage.

#### Extraction :

1. Tirer la grille en ligne droite jusqu'à ce qu'elle s'arrête à la position de calage.
2. Soulever la grille à l'avant pour pouvoir l'extraire.



#### Réinstallation :

1. Placer la grille sur les supports dans le four.
2. Soulever légèrement l'avant. Faire glisser la grille vers l'arrière au-delà de la position de calage.
3. Abaisser la grille et la faire glisser dans le four.

**Ne jamais couvrir la totalité d'une grille de papier d'aluminium ni mettre d'aluminium sur la sole du four. Cela ne donnerait pas de bons résultats dans la cuisson de gâteaux et la sole pourrait se trouver abîmée.**

## Éclairage du four

La lampe du four s'allume automatiquement à l'ouverture de la porte. Lorsque la porte est fermée, appuyer sur Oven Light (Lampe du four) pour allumer ou éteindre la lampe. Le four produit un signal sonore chaque fois que l'on appuie sur Oven Light.

Oven Light

## Sole du four

Protéger la sole des produits renversés, en particulier acides ou sucrés, ceux-ci pouvant décolorer l'émail vitrifié. Utiliser des ustensiles de la bonne dimension pour éviter que les produits ne se renversent ou passent par-dessus l'ustensile en bouillant. **Ne pas placer d'ustensiles ou de feuille d'aluminium directement sur la sole du four.**

## Positions des grilles

**Grille 7** (Position la plus haute) : Pour faire griller du pain ou passer au gril des aliments minces et non gras.

**Grille 6** : Utilisée pour la majorité des opérations de cuisson au gril.

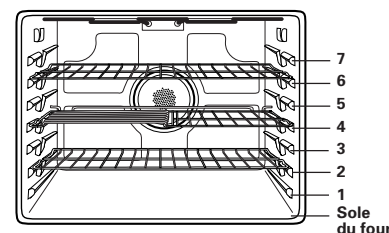
**Grille 5** : Pour la cuisson sur plusieurs grilles.

**Grille 4** : Pour la plupart des cuissons de pâtisseries sur une tôle à biscuits ou un moule à gâteau roulé, des tartes aux fruits ou mets surgelés. Utilisée aussi pour passer au gril des morceaux de poulet.

**Grille 3** : Pour les plats mijotés, cuisson de miches de pain, savarins ou tartes à la crème.

**Grille 2** : Pour le rôtissage de petites coupes de viande, tartes surgelées, soufflés ou gâteaux des anges. Utilisée aussi pour la cuisson sur plusieurs grilles.

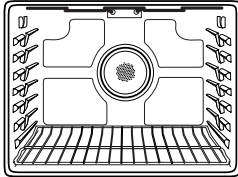
**Grille 1** : Pour le rôtissage de grosses pièces de viande et la volaille.



Cuisson avec convection sur trois grilles (certains modèles)

# CUISSON DANS LE FOUR

**Sole du four :** Placer la grille sur les côtés relevés de la sole. Donne une place supplémentaire pour la cuisson de grandes quantités.



**CUISSON SUR PLUSIEURS GRILLES :**  
**Deux grilles :** Utiliser les positions 2 et 5.

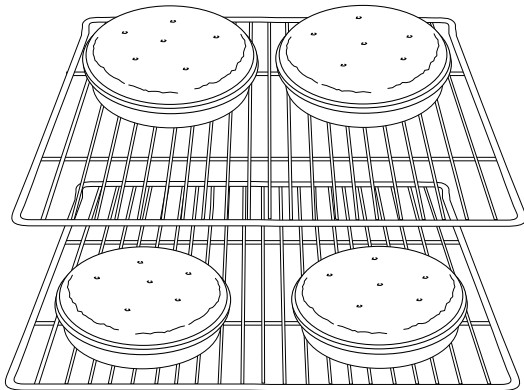
**Trois grilles (convection seulement) :** Utiliser les positions 2, 4 et 6 (voir l'illustration).

**Remarque:** Pour la cuisson avec convection sur deux ou trois grilles (certains modèles), vérifier les aliments à la durée minimale suggérée pour éviter un excès de cuisson ou de coloration.

## Cuisson de gâteaux à étages sur deux grilles

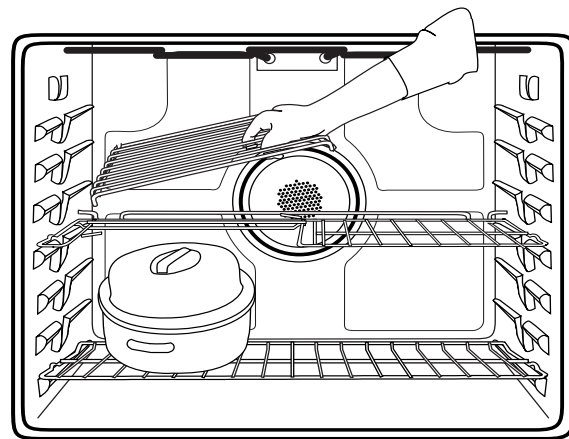
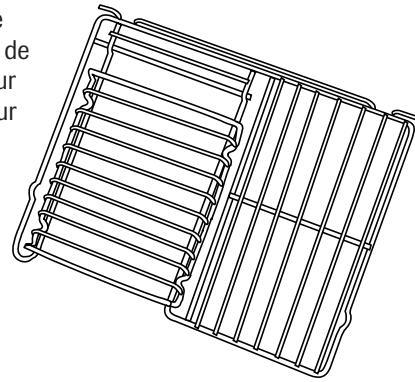
Pour de meilleurs résultats pour la cuisson de gâteaux sur deux grilles, utiliser les positions 2 et 4 pour une cuisson traditionnelle et les positions 2 et 5 pour une cuisson avec convection (certains modèles).

Placer les gâteaux sur la grille, comme il est indiqué.



## Demi-grille Create-A-Space<sup>MC</sup>

Certains modèles de cuisinières sont dotés d'une demi-grille convertible. Le côté gauche de la grille peut être enlevé pour loger une grosse marmite sur la grille inférieure. Le côté droit de la grille est toujours libre pour loger une cocotte.



### Remarques :

- La partie amovible de la grille peut être utilisée comme grille de rôtissage dans la lèchefrite. Ne pas utiliser la partie supérieure si la grille est dans la lèchefrite.
- La section amovible de la grille peut être utilisée comme support ou grille de refroidissement.
- S'assurer que le four a refroidi avant de retirer ou de réinstaller la demi-grille.
- Ne pas utiliser un ustensile qui dépasserait du bord de la grille.
- Pour obtenir les meilleurs résultats, laisser un espace libre de cinq cm (2 po) entre l'ustensile placé sur la grille et la paroi du four.
- Agir prudemment pour retirer un article placé sur la demi-grille, afin d'éviter des brûlures.
- Enlever prudemment les articles placés sur la grille inférieure, pour ne pas perturber la demi-grille.

# NETTOYAGE

## Four autonettoyant

### ! ATTENTION

- Il est normal que certaines pièces de la cuisinière deviennent très chaudes lors d'un cycle de nettoyage.
- Pour éviter que la porte du four ne subisse des dommages, ne pas tenter de l'ouvrir lorsque le mot LOCK (VERROUILLAGE) est visible sur l'afficheur.
- Éviter de toucher la porte, le hublot et la zone de l'évent du four lors d'un cycle d'autonettoyage.
- Ne pas utiliser de nettoyeur pour four du commerce sur le fini du four ou sur tout autre composant du four. Cela abîmerait le fini ou les composants du four.

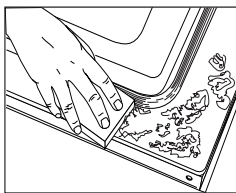
Le cycle d'autonettoyage utilise des températures supérieures à la normale pour assurer le nettoyage automatique de la totalité du four.

Si le four est très sale, il est normal qu'on observe la formation de fumée ou de flammes durant le nettoyage. Nettoyer le four à intervalles réguliers plutôt que d'attendre une accumulation importante de résidus.

Durant le processus d'autonettoyage, il convient de bien aérer la cuisine pour éliminer les odeurs normalement émises durant le nettoyage.

### Avant l'autonettoyage

1. Éteindre la lampe du four avant le nettoyage. Elle risquerait sinon, de griller.
2. Enlever la lèchefrite, tous les plats et les grilles du four. Les grilles risquent de se décolorer et de ne plus glisser aussi bien après un cycle d'autonettoyage si on ne les enlève pas.
3. Nettoyer le cadre du four, le cadre de la porte, la zone à l'extérieur du joint et autour de l'ouverture dans le joint de la porte, à l'aide d'un produit de nettoyage non abrasif comme Bon Ami\* ou d'eau additionnée de détergent. Le processus d'autonettoyage ne nettoie pas ces zones. Elles doivent être nettoyées pour empêcher la saleté de s'incruster pendant le cycle de nettoyage. (Le joint assure l'étanchéité autour de la porte et du hublot du four.)
4. Pour empêcher tout dommage, ne pas nettoyer ni frotter le joint qui se trouve autour de la porte du four. Ce joint est conçu pour éviter les pertes de chaleur pendant le cycle d'autonettoyage.
5. Éliminer les résidus de graisse ou de produits renversés sur la sole avant le nettoyage. Ceci empêche la formation de flammes ou de fumée durant le nettoyage.



6. Essuyer les résidus sucrés et acides, comme les patates douces, la tomate ou les sauces à base de lait. La porcelaine vitrifiée possède une certaine résistance aux composés acides, mais qui n'est pas limitée. Elle peut se décolorer si les résidus acides ou sucrés ne sont pas enlevés avant de commencer l'autonettoyage.

### Programmation de l'autonettoyage :

**Remarque :** La température du four doit être située en dessous de 205 °C (400 °F) pour programmer un cycle d'autonettoyage.

1. Fermer la porte du four.
2. Appuyer sur la touche Clean (Nettoyage).
  - Le mot CLEAN (NETTOYAGE) clignote.
  - Le mot SET (VALIDER) clignote à l'afficheur.
3. Appuyer sur la touche Autoset 0 (Programmation automatique).
  - MEd (Moyen) (Saleté moyenne, 3 heures) est affiché.
4. Appuyer sur la touche Autoset 0 pour voir défiler les différents réglages de l'autonettoyage :
  - HVy (Très sale) (Saleté épaisse, 4 heures)
  - MEd (Moyen) (Saleté moyenne, 3 heures)
  - LITE (Léger) (Saleté légère, 2 heures)
5. Après quatre secondes, le four commence le nettoyage.
  - Si la porte n'est pas fermée, des bips retentissent et le mot « door » (porte) paraît à l'afficheur. Si la porte n'est pas fermée dans les 30 secondes, l'opération d'autonettoyage est annulée et l'afficheur revient à l'heure du jour.
  - Le mot CLEAN paraît à l'afficheur.
  - Le mot LOCK (VERROUILLAGE) clignote à l'afficheur. Une fois la porte verrouillée, le mot reste stable.
  - La durée de nettoyage commence le décompte à l'afficheur.

### Démarrage différé d'un cycle d'autonettoyage :

1. Appuyer sur la touche 1 Delay.
  - Le mot DELAY (ATTENTE) clignote.
  - 00:00 clignote à l'affichage.
2. Entrer la durée d'attente désirée pour le démarrage du cycle à l'aide des touches numériques appropriées.
3. Appuyer sur la touche Clean.
  - Le mot SET clignote à l'afficheur.
4. Appuyer sur la touche Autoset 0.
  - Le mot LITE (saleté légère) est affiché.

\*Les noms de marque des produits de nettoyage sont des marques déposées des différents fabricants.

# NETTOYAGE

5. Appuyer sur la touche Autoset 0 (Programmation automatique) pour voir défiler les différents réglages de l'autonettoyage :

HVy (Très sale) (Saleté épaisse, 4 heures)

MEd (Moyen) (Saleté moyenne, 3 heures)

LITE (Léger) (Saleté légère, 2 heures)

Le choix du niveau de saleté du four programme automatiquement la durée du cycle d'autonettoyage.

6. Après quatre secondes, les mots CLEAN (NETTOYAGE) et DELAY (ATTENTE) s'allumeront et le mot LOCK (VERROUILLAGE) clignotera à l'afficheur. Lorsque la porte du four se verrouille, le mot LOCK s'arrête de clignoter et reste allumé en continu pour indiquer que le four est programmé pour une opération de nettoyage différé. Le délai d'attente sera affiché.



## Pendant le cycle d'autonettoyage

Lorsque le mot LOCK paraît à l'afficheur, la porte ne peut être ouverte. Pour éviter d'endommager la porte, ne pas forcer la porte pour l'ouvrir lorsque LOCK est affiché.

### Fumée et odeurs

La première fois où le four est nettoyé, il peut y avoir production d'odeur et de fumée. Ceci est normal et disparaîtra à l'usage.

Si le four est très sale ou si la lèchefrite a été laissée dans le four, il peut y avoir production de fumée.

### Bruits

Pendant que le four chauffe, il peut se produire des bruits de métal en dilatation ou en contraction. Ceci est normal et n'indique pas que le four s'abîme.



## Après le cycle d'autonettoyage

Environ une heure après la fin du cycle, le mot LOCK s'éteint. À ce moment, la porte peut être ouverte.

**La saleté peut avoir laissé un résidu gris poudreux.** L'enlever avec un linge humide. S'il reste de la saleté, cela indique que le cycle de nettoyage n'a pas été assez long. Cette saleté restante sera enlevée au prochain cycle d'autonettoyage.

**Si les grilles ont été laissées à l'intérieur du four pendant le cycle d'autonettoyage et qu'elles glissent mal** sur leurs supports, les enduire, ainsi que les supports, d'une fine couche d'huile végétale.

**De fines lignes peuvent apparaître dans la porcelaine parce qu'elle a subi chaleur et refroidissement.** Ceci est normal et n'affectera pas la performance.

**Une décoloration blanche peut apparaître après le nettoyage si des aliments acides ou sucrés n'ont pas été enlevés avant que ne commence l'autonettoyage.** La décoloration est normale et n'affectera pas la performance du four.

## Remarques:

- Si la porte du four n'est pas fermée, le mot « door » (porte) clignote à l'afficheur et le four émet des bips jusqu'à ce que la porte soit fermée et que l'on appuie à nouveau sur Clean (Nettoyage).
- S'il s'écoule plus de cinq secondes entre le moment où l'on appuie sur Clean et celui où l'on appuie sur la touche Autoset 0 (Programmation automatique), l'afficheur retourne automatiquement à l'affichage précédent.
- La porte du four se trouvera endommagée si l'on force son ouverture alors que le mot LOCK (VERROUILLAGE) est encore affiché.

# NETTOYAGE


## Méthodes de nettoyage

### ATTENTION

- Avant toute manipulation ou opération de nettoyage, vérifier que l'appareil est arrêté et que tous les composants sont froids, afin d'éviter des dommages ou des brûlures.
- Pour éviter la formation de taches ou un changement de couleur, nettoyer l'appareil après chaque utilisation.
- Après tout démontage de composants, veiller à effectuer un remontage correct.

\*Les noms de marque sont des marques déposées des différents fabricants.

\*\* Pour commander directement, composer le 1-800-JENNAIR (1-800-536-6247).

PIÈCE	NETTOYAGE
<b>Dosseret et table de cuisson - émail vitrifié</b>	<p>L'émail vitrifié est du verre lié au métal par fusion. Il peut se fissurer ou s'écailler en cas de mauvaise utilisation. Il est résistant aux acides, mais pas totalement inattaquable par les acides. Tous les produits renversés, en particulier acides ou sucrés, doivent être essuyés immédiatement avec un linge sec.</p> <ul style="list-style-type: none"> <li>• Une fois refroidi, laver avec de l'eau savonneuse, rincer et sécher.</li> <li>• Ne jamais essuyer une surface tiède ou chaude avec un linge humide. Ceci pourrait la fissurer ou l'écailler.</li> <li>• Ne jamais utiliser de nettoyeurs pour four, d'agents de nettoyage caustiques ou abrasifs sur le fini extérieur de la cuisinière.</li> </ul>
<b>Lèchefrite et sa grille</b>	<p><b>Ne jamais couvrir la grille de papier d'aluminium; cela empêche la graisse de couler dans la lèchefrite.</b></p> <ul style="list-style-type: none"> <li>• Recouvrir la lèchefrite et sa grille d'un linge savonneux; laisser agir pour détacher les résidus.</li> <li>• Laver avec de l'eau savonneuse tiède. Utiliser un tampon à récurer pour éliminer les souillures tenaces.</li> <li>• On peut placer les deux composants de la lèchefrite dans un lave-vaisselle.</li> </ul>
<b>Zone de la console de commande/horloge</b>	<ul style="list-style-type: none"> <li>• Pour utiliser la fonction Verrouillage des commandes pour le nettoyage, voir page 42.</li> <li>• Essuyer avec un linge humide, puis faire sécher. Ne pas utiliser un agent de nettoyage abrasif susceptible de rayer la finition.</li> <li>• On peut utiliser un produit de nettoyage du verre, pulvérisé d'abord sur un chiffon. <b>NE PAS projeter le produit directement sur les touches de commande ou sur l'afficheur.</b></li> </ul>
<b>Boutons de commande</b>	<ul style="list-style-type: none"> <li>• Placer chaque bouton à la position d'ARRÊT, et retirer chaque bouton en le tirant.</li> <li>• Laver, rincer et faire sécher. Ne pas utiliser un agent de nettoyage abrasif susceptible de rayer la finition.</li> <li>• Faire fonctionner brièvement chaque élément pour vérifier que le bouton a été correctement réinstallé.</li> </ul>
<b>Table de cuisson en vitrocéramique</b>	<p><b>Ne jamais utiliser de produits de nettoyage du four, javellisants, ammoniacaux ou produits de nettoyage du verre contenant de l'ammoniac. REMARQUE: Prendre contact avec un réparateur agréé si la surface en vitrocéramique se fendille, se casse ou si de l'aluminium ou du métal fond sur la surface.</b></p> <ul style="list-style-type: none"> <li>• Laisser la table de cuisson refroidir avant de la nettoyer.</li> <li>• <b>Généralités</b> - Nettoyer la table de cuisson après chaque emploi ou au besoin, avec du papier essuie-tout humidifié et la crème de nettoyage pour table de cuisson (pièce n° 20000001)**. Puis, essuyer avec un linge sec et propre.</li> </ul> <p><b>REMARQUE: Des marques permanentes vont se produire si la saleté reste sur la surface de cuisson et est cuite de façon répétée.</b></p> <ul style="list-style-type: none"> <li>• <b>Saleté épaisse ou marques métalliques</b> - Humidifier une éponge à récurer «ne rayant pas». Appliquer de la crème de nettoyage pour table de cuisson (pièce n° 20000001)** et frotter pour retirer autant de saleté que possible. Appliquer une mince couche de crème sur la saleté, recouvrir avec du papier essuie-tout humidifié et laisser pendant 30 à 45 minutes (2 ou 3 heures pour la saleté très importante). Garder humide en recouvrant l'essuie-tout d'une pellicule plastique. Frotter à nouveau, puis essuyer avec un linge propre et sec.</li> </ul> <p><b>REMARQUE: N'utiliser qu'un tampon à récurer «ne rayant pas», PROPRE ET HUMIDE, sans danger pour les ustensiles de cuisine à revêtement antiadhésif. Le verre et le motif seront endommagés si le tampon n'est pas humide, s'il est souillé ou si un autre type de tampon est utilisé.</b></p> <ul style="list-style-type: none"> <li>• <b>Saletés cuites ou desséchées</b> - Frotter avec un tampon à récurer «ne rayant pas» et une crème de nettoyage pour table de cuisson.</li> </ul> <p><b>REMARQUE: Tenir une lame de rasoir à un angle de 30° et gratter pour enlever toute saleté restante. Puis, nettoyer comme il est décrit ci-dessus. Ne pas se servir de la lame de rasoir tous les jours, cela pourrait user le motif du verre.</b></p> <ul style="list-style-type: none"> <li>• <b>Plastique ou sucre fondu</b> - Régler immédiatement l'élément sur LOW et gratter le sucre et le plastique de la surface chaude pour les pousser vers une zone moins chaude. Puis ÉTEINDRE l'élément et le laisser refroidir. Nettoyer le résidu avec un grattoir à lame de rasoir et de la crème de nettoyage pour table de cuisson.</li> </ul> 

# NETTOYAGE

PIÈCE	NETTOYAGE
<b>Hublot et porte du four en verre</b>	<ul style="list-style-type: none"> <li>Éviter d'utiliser trop d'eau, qui risquerait de s'infiltrer sous ou derrière le verre et de tacher.</li> <li>Laver à l'eau et au savon. Rincer avec de l'eau propre et sécher. Un produit de nettoyage du verre peut être utilisé en le vaporisant d'abord sur un linge.</li> <li>Ne pas utiliser de produits abrasifs comme tampons à récurer, laine d'acier ou produit de nettoyage en poudre qui risqueraient de rayer le verre.</li> </ul>
<b>Intérieur du four</b>	<ul style="list-style-type: none"> <li>Exécuter les instructions présentées aux pages 55-56 pour l'autonettoyage du four.</li> </ul>
<b>Grilles du four</b>	<ul style="list-style-type: none"> <li>Nettoyer avec de l'eau savonneuse.</li> <li>Éliminer les souillures tenaces avec une poudre de nettoyage ou un tampon à récurer savonneux. Rincer et faire sécher.</li> <li>Si les grilles sont laissées dans le four pendant le cycle d'autonettoyage, elles se décolorent et peuvent ne plus très bien glisser. Si cela se produit, enduire le bord des grilles et le support des grilles d'une fine couche d'huile végétale, puis essuyer l'excédent.</li> </ul>
<b>Acier inoxydable</b> (certains modèles)	<ul style="list-style-type: none"> <li><b>NE PAS UTILISER DE PRODUITS DE NETTOYAGE CONTENANT DU JAVELLISANT.</b></li> <li><b>NE PAS UTILISER DE NETTOYANTS « ORANGE » OU ABRASIFS.</b></li> <li><b>TOUJOURS ESSUYER DANS LE SENS DE LA TEXTURE DE L'ACIER LORS DU NETTOYAGE.</b></li> <li><b>Nettoyage journalier/saleté légère</b> - Essuyer avec l'un des produits suivants: eau savonneuse, vinaigre blanc/eau, produit de nettoyage pour verre et surface* Formula 409* ou un produit semblable pour verre - avec un linge souple et une éponge. Rincer et sécher. Pour polir et enlever les marques de doigts, faire suivre par une vaporisation de Magic Spray pour acier inoxydable (pièce n° 20000008)**.</li> <li><b>Saleté modérée/épaisse</b> - Essuyer avec l'un des produits suivants: Bon Ami*, Smart Cleanser* ou Soft Scrub* - à l'aide d'un linge souple ou d'une éponge humide. Rincer et sécher. Les taches rebelles peuvent être enlevées avec un tampon multi-usages Scotch-Brite* humidifié. Frotter uniformément dans le sens du métal. Rincer et sécher. Pour redonner du lustre et retirer les rayures, faire suivre par une vaporisation de Magic Spray pour acier inoxydable*.</li> <li><b>Décoloration</b> - À l'aide d'une éponge humidifiée ou d'un linge souple, essuyer à l'aide du nettoyant Cameo pour acier inoxydable*. Rincer immédiatement et sécher. Pour enlever les marques et redonner du lustre, faire suivre par une vaporisation de Magic Spray pour acier inoxydable*.</li> </ul>
<b>Tiroir de réchauffage, poignée de porte, panneaux latéraux - émail peint</b>	<ul style="list-style-type: none"> <li>Une fois les pièces refroidies, laver à l'eau savonneuse tiède, rincer et sécher. Ne jamais essuyer une surface tiède ou chaude avec un linge humide, ceci pouvant endommager la surface et entraîner une brûlure par la vapeur.</li> <li>Pour les taches rebelles, utiliser des agents de nettoyage légèrement abrasifs comme la pâte au bicarbonate de soude ou Bon Ami*. Ne pas utiliser d'agents de nettoyage abrasifs, caustiques ou énergiques comme les nettoyants pour four ou les tampons en laine d'acier. Ces produits raieraient ou endommageraient de façon permanente la surface.</li> </ul> <p><b>REMARQUE : Utiliser un linge ou un torchon sec pour essuyer les produits renversés, surtout s'ils sont acides ou sucrés. La surface pourrait se décolorer ou se ternir si la saleté n'était pas immédiatement enlevée. Ceci est particulièrement important dans le cas de surfaces blanches.</b></p>

\* Les noms de marque sont des marques déposées des différents fabricants.

\*\* Pour commander directement, composer le 1-800-JENNAIR (1-800-536-6247).

# ENTRETIEN

## Porte du four

### ! ATTENTION

**Ne pas** grimper sur la porte du four ouverte, ou lui imposer une charge excessive. Ceci pourrait provoquer un basculement de la cuisinière, le bris de la porte ou des blessures pour la personne concernée.

**Remarque :** On peut percevoir une certaine « élasticité » lors de la fermeture de la porte du four d'une cuisinière neuve; ceci est normal; cet effet disparaît progressivement.

## Hublot du four

### Pour protéger le hublot de la porte du four :

1. Ne pas utiliser de produits nettoyants abrasifs comme des tampons à récurer en laine d'acier ou des produits de nettoyage en poudre qui risqueraient de rayer le verre.
2. Ne pas heurter le hublot en verre avec un ustensile, un article de mobilier, un jouet, etc.
3. Ne pas fermer la porte du four avant que les grilles ne soient en place dans le four.

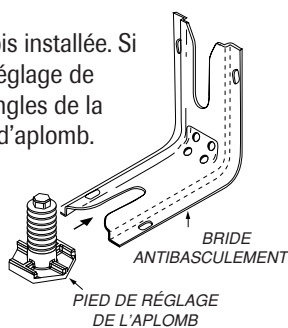
Toute dégradation du hublot de verre - rayure, choc, tension, etc. - peut affaiblir sa structure et augmenter le risque de bris à une date ultérieure.

## Pieds de réglage de l'aplomb

### ! ATTENTION

Vérifier que la bride antibasculement agrippe convenablement l'un des pieds arrière de réglage de l'aplomb, pour que la cuisinière ne puisse basculer accidentellement.

La cuisinière doit être d'aplomb une fois installée. Si elle ne l'est pas, tourner les pieds de réglage de l'aplomb en plastique, à chacun des angles de la cuisinière, jusqu'à ce que celle-ci soit d'aplomb.



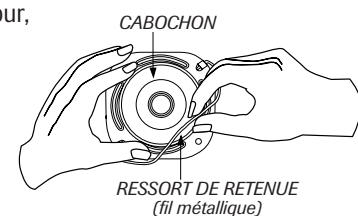
## Lampe du four

### ! ATTENTION

- Débrancher la cuisinière avant de remplacer l'ampoule.
- Laisser le four refroidir avant de remplacer l'ampoule.
- S'assurer que le cabochon et l'ampoule sont froids avant de les toucher.

### Pour remplacer l'ampoule du four :

1. Après le refroidissement du four, maintenir le cabochon tout en enlevant la pièce métallique qui la maintient en place.  
**REMARQUE :** Le cabochon tombera si on ne le maintient pas en place.
2. Enlever le cabochon et l'ampoule.
3. Installer une ampoule de 40 watts pour appareil ménager.
4. Réinstaller le cabochon et le fil métallique de retenue.
5. Rétablir l'alimentation de la cuisinière. Régler de nouveau l'horloge.

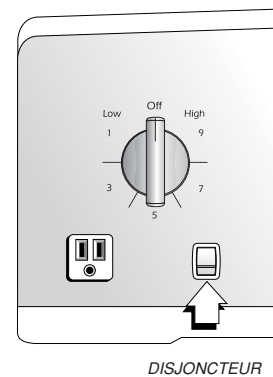


## Prise de courant auxiliaire

(modèles canadiens seulement)

La prise de courant auxiliaire est située en bas/à gauche du dosseret. Veiller à ce que le cordon d'alimentation de l'appareil utilisé ne repose pas sur un élément de la table de cuisson ou à proximité; la mise en marche de l'élément chauffant ferait subir des dommages au cordon d'alimentation et à la prise de courant.

Un appareil suscitant une demande de courant de plus de 10 A provoquera l'ouverture du disjoncteur qui protège la prise de courant auxiliaire. Pour réarmer le disjoncteur, appuyer sur le commutateur situé sur le bord inférieur du dosseret.



# ENTRETIEN

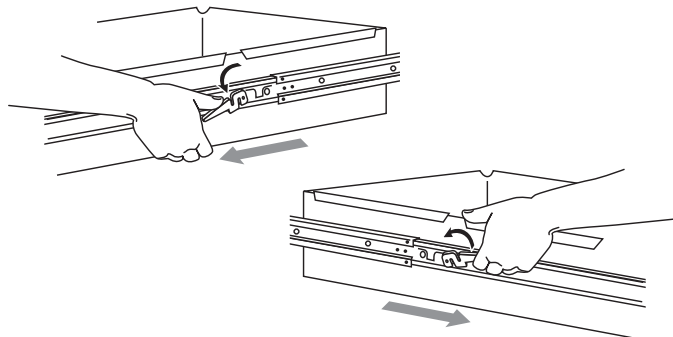
## Tiroir de réchauffage

### ! ATTENTION

- **NE JAMAIS** ranger de produits en papier ou en plastique ou de matériaux inflammables dans ce tiroir. Il pourrait devenir trop chaud pour ces articles lorsque le four est utilisé ou que le tiroir de réchauffage est en période de préchauffage.
- Pour éviter tout contact avec l'élément chauffant du tiroir de réchauffage, tirer le tiroir à fond pour ajouter ou retirer de la nourriture.
- Ne jamais utiliser de nettoyeurs pour four pour nettoyer le tiroir de réchauffage.

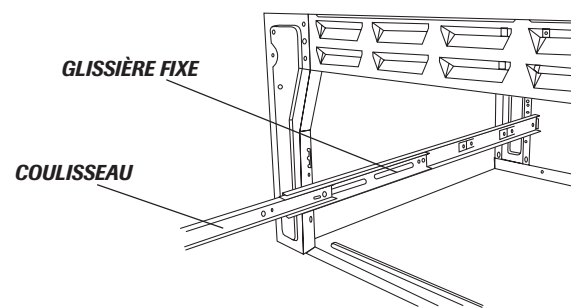
### Pour enlever le tiroir de réchauffage :

1. Vider le tiroir et le tirer jusqu'à ce qu'il soit entièrement ouvert.
2. Repérer le levier triangulaire noir de chaque côté du tiroir.
3. Appuyer sur le levier du côté droit et soulever le levier du côté gauche en même temps. Puis, tirer encore le tiroir de 2,5 cm (1 po).
4. Tirer soigneusement le tiroir jusqu'au bout en le retenant par les côtés, non par le devant.



### Pour remettre en place le tiroir de réchauffage :

1. Tirer les coulisseaux en avant de la glissière fixe (voir illustration ci-dessous).
2. Aligner la glissière de chaque côté du tiroir avec les rainures sur la cuisinière.
3. Pousser le tiroir dans la cuisinière jusqu'à ce que les leviers s'enclenchent en émettant un déclic (environ 5 cm [2 po]). Tirer de nouveau le tiroir pour asseoir les coulisseaux en place. Si l'on n'entend pas les leviers émettre un déclic ou si les coulisseaux ne semblent pas bien assis, retirer le tiroir et répéter les étapes 1 à 3. Ceci minimisera les dommages éventuels des coulisseaux.



# RECHERCHE DES PANNES

PROBLÈME	SOLUTION
<b>Pour la plupart des problèmes observés, essayer d'abord les solutions possibles, à droite.</b>	<ul style="list-style-type: none"> <li>• Vérifier que les commandes du four sont correctement réglées.</li> <li>• Vérifier si le four est bien raccordé au circuit électrique.</li> <li>• Inspecter/réarmer le disjoncteur. Inspecter/remplacer les fusibles.</li> <li>• Contrôler la source d'alimentation électrique.</li> </ul>
<b>Non-fonctionnement de l'appareil - total ou partiel.</b>	<ul style="list-style-type: none"> <li>• Déterminer si les commandes des éléments de surface et/ou du four sont convenablement réglées. Voir pages 37 et 43.</li> <li>• Déterminer si la porte du four s'est déverrouillée après une opération d'autonettoyage. Voir page 56.</li> <li>• Déterminer si le four est réglé pour une cuisson différée ou un nettoyage différé. Voir pages 44 et 55.</li> <li>• Vérifier si le verrouillage des commandes est en marche. Voir page 42.</li> <li>• Vérifier si la commande est en mode sabbat. Voir page 47.</li> </ul>
<b>L'horloge ou les lampes fonctionnent, les mots paraissent à l'afficheur, mais le four ne chauffe pas.</b>	<ul style="list-style-type: none"> <li>• Les commandes sont peut-être programmées pour une fonction de cuisson et maintien ou de démarrage différé.</li> <li>• La fonction de verrouillage des commandes est peut-être activée. Voir page 42.</li> </ul>
<b>Résultats de cuisson au four différents des attentes ou de ceux produits par le four antérieur.</b>	<ul style="list-style-type: none"> <li>• Déterminer si l'évent du four est obstrué. Voir son emplacement page 53.</li> <li>• S'assurer que la cuisinière est d'aplomb.</li> <li>• Les réglages de température varient souvent entre un four neuf et le four qu'il remplace. On observe souvent une dérive du réglage de température d'un four à mesure qu'il vieillit; il peut devenir plus chaud ou moins chaud. Voir page 51 pour les instructions d'ajustement de la température du four. <b>REMARQUE</b> : Il n'est pas utile de modifier le réglage de température si la variation n'affecte qu'une ou deux recettes.</li> <li>• Pour d'autres informations au sujet de la cuisson au four, voir la brochure <b>La cuisson simplifiée</b>.</li> </ul>
<b>Résultats incorrects lors de la cuisson au gril, ou émission excessive de fumée.</b>	<ul style="list-style-type: none"> <li>• Déterminer la position des grilles. Les aliments peuvent être trop près de l'élément du gril.</li> <li>• Élément du gril pas préchauffé.</li> <li>• Utilisation incorrecte de feuille d'aluminium. Ne jamais garnir la grille de lèchefrite avec de la feuille d'aluminium.</li> <li>• Porte du four fermée durant la cuisson au gril. Laisser la porte du four entrouverte d'environ 10 cm (4 pouces) - première butée.</li> <li>• Enlever l'excès de graisse sur la pièce de viande avant la cuisson au gril.</li> <li>• Utilisation d'une lèchefrite souillée.</li> <li>• La tension électrique de la maison est peut-être basse.</li> </ul>
<b>Impossibilité d'autonettoyage du four.</b>	<ul style="list-style-type: none"> <li>• Déterminer que l'appareil n'a pas été programmé pour un autonettoyage différé. Voir page 55.</li> <li>• Vérifier que la porte est fermée.</li> <li>• Vérifier si la commande est en mode sabbat. Voir page 47.</li> <li>• Le four est peut être à une température supérieure à 205 °C (400 °F). La température du four doit être inférieure à 205 °C (400 °F) pour pouvoir programmer un cycle d'autonettoyage.</li> </ul>
<b>Le four ne se nettoie pas correctement.</b>	<ul style="list-style-type: none"> <li>• Un temps de nettoyage plus long peut être nécessaire.</li> <li>• On n'a pas éliminé avant l'opération d'autonettoyage les accumulations excessives de résidus, particulièrement les résidus d'aliments acides ou sucrés.</li> </ul>

# RECHERCHE DES PANNES

PROBLÈME	SOLUTION
<b>La porte du four ne se déverrouille pas après l'autonettoyage.</b>	<ul style="list-style-type: none"> <li>L'intérieur du four est encore chaud. Attendre environ une heure après l'achèvement de la période d'autonettoyage. Il est possible d'ouvrir la porte après la disparition du message LOCK (VERROUILLAGE) sur l'afficheur.</li> <li>Les commandes et la porte sont peut-être verrouillées. Voir page 42.</li> </ul>
<b>La surface à dessus lisse montre des signes d'usure.</b>	<ol style="list-style-type: none"> <li>Fines rayures ou abrasions. <ul style="list-style-type: none"> <li>S'assurer que la surface de cuisson et le fond des ustensiles sont propres. Ne pas faire glisser d'ustensiles en verre ou en métal sur la surface. S'assurer que le fond des ustensiles n'est pas rugueux. Utiliser les agents de nettoyage recommandés. Voir page 57.</li> </ul> </li> <li>Marques de métal. <ul style="list-style-type: none"> <li>Ne pas faire glisser d'ustensiles métalliques sur la surface. Une fois la surface refroidie, la nettoyer avec la crème de nettoyage pour table de cuisson. Voir page 57.</li> </ul> </li> <li>Marques et taches brunes. <ul style="list-style-type: none"> <li>Enlever rapidement les produits renversés. Ne jamais essuyer la surface avec une éponge ou un linge sali. S'assurer que la table de cuisson et que le fond des ustensiles sont propres.</li> </ul> </li> <li>Zones avec reflet métallique. <ul style="list-style-type: none"> <li>Dépôts minéraux en provenance de l'eau et de la nourriture. Utiliser les agents de nettoyage recommandés. Voir page 57.</li> </ul> </li> <li>Piqûres ou écailllements. <ul style="list-style-type: none"> <li>Enlever rapidement les produits sucrés qui ont débordé. Voir page 57.</li> </ul> </li> </ol>
<b>Accumulation d'humidité sur le hublot ou vapeur sortant de l'évent.</b>	<ul style="list-style-type: none"> <li>Ceci est normal durant la cuisson d'aliments contenant beaucoup d'eau.</li> <li>Utilisation excessive d'humidité lors du nettoyage du hublot.</li> </ul>
<b>Émission d'une forte odeur ou de fumée lors de la mise en marche du four.</b>	<ul style="list-style-type: none"> <li>Ceci est normal pour un four neuf et disparaît après quelques utilisations. Un cycle d'autonettoyage « brûlera » plus rapidement les odeurs.</li> <li>La mise en marche d'un ventilateur aide à retirer fumée et odeurs.</li> <li>Présence de saletés sur la sole. Procéder à un autonettoyage.</li> </ul>
<b>Codes d'anomalie.</b>	<ul style="list-style-type: none"> <li>Les mots BAKE ou LOCK peuvent clignoter rapidement à l'afficheur pour prévenir d'une erreur ou d'un problème. Si le mot BAKE ou LOCK paraît à l'afficheur, appuyer sur la touche CANCEL. Si le mot BAKE ou LOCK continue à clignoter, débrancher l'appareil. Attendre quelques minutes, puis rebrancher l'appareil. Si le mot continue à clignoter, débrancher l'appareil et prendre contact avec un réparateur autorisé.</li> <li>Si le four est très sale, les flammèches peuvent produire un code d'anomalie au cours du cycle d'autonettoyage. Appuyer sur la touche CANCEL et laisser le four refroidir complètement, essuyer la saleté en excès puis reprogrammer l'autonettoyage. Si le code d'anomalie réapparaît, prendre contact avec un réparateur autorisé.</li> </ul>
<b>Des bruits se font entendre.</b>	<ul style="list-style-type: none"> <li>Le four fait plusieurs bruits faibles. Il est possible d'entendre les relais du four qui se mettent en marche et s'arrêtent. Ceci est normal.</li> <li>Alors que le four se réchauffe et se refroidit, il est possible d'entendre des bruits correspondant à la dilatation et à la contraction des pièces métalliques. Ceci est normal et n'endommage pas l'appareil.</li> </ul>
<b>Il n'y a ni bip ni affichage.</b>	<ul style="list-style-type: none"> <li>Le four est peut-être en mode sabbat. Voir page 47.</li> </ul>
<b>« SAb » clignote puis reste allumé.</b>	<ul style="list-style-type: none"> <li>Le four est en mode sabbat. Pour annuler, appuyer sur la touche Clock et maintenir-la enfoncée pendant cinq secondes.</li> </ul>

# GARANTIE ET SERVICE APRÈS-VENTE

## Garantie complète d'une année - Pièces et main-d'œuvre

Durant une période **d'un (1) an** à compter de la date de l'achat initial au détail, toute pièce qui se révélerait défectueuse dans des conditions normales d'usage ménager sera réparée ou remplacée gratuitement.

## Garanties limitées - Pièces seulement

**Deuxième année** - Après la première année suivant la date de l'achat initial au détail, les pièces qui se révéleraient défectueuses dans des conditions normales d'usage ménager seront réparées ou remplacées gratuitement (pièces seulement); le propriétaire devra assumer tous les autres frais, y compris frais de main-d'œuvre, de déplacement, de transport, de kilométrage et de diagnostic, le cas échéant.

**De la troisième à la cinquième année** - À compter de la date de l'achat initial au détail, les pièces de la liste ci-dessous qui se révéleraient défectueuses dans des conditions normales d'usage ménager seront réparées ou remplacées gratuitement (pièces seulement); le propriétaire devra assumer tous les autres frais, y compris frais de main-d'œuvre, de déplacement, de transport, de kilométrage et de diagnostic, le cas échéant.

- **Commandes Électriques**
- **Surface de cuisson en vitrocéramique:** Par suite de bris thermique, décoloration, fissuration du joint en caoutchouc sur le rebord, usure des motifs.
- **Éléments chauffants électriques:** Éléments de surface radiants sur les appareils de cuisson électriques.

## Résidents canadiens

Les garanties ci-dessus couvrent un appareil installé au Canada, seulement s'il a été agréé par les agences de test habilitées (vérification de la conformité à une norme nationale du Canada), sauf si l'appareil a été introduit au Canada à l'occasion d'un changement de résidence des États-Unis vers le Canada.

## Garantie limitée hors des États-Unis et du Canada - Pièces seulement

Pendant deux (2) ans à compter de la date de l'achat initial au détail, toute pièce qui se révélerait défectueuse dans des conditions normales d'usage ménager sera réparée ou remplacée gratuitement (pièce seulement); le propriétaire devra assumer tous les autres frais, y compris frais de main-d'œuvre, de déplacement, de transport, de kilométrage et de diagnostic, le cas échéant.

*Les garanties spécifiques formulées ci-dessus sont les **SEULES** que le fabricant accorde. Ces garanties vous confèrent des droits juridiques spécifiques et vous pouvez également jouir d'autres droits, variables d'un état à l'autre, d'une province à une autre.*

## Ne sont pas couverts par ces garanties :

1. Les dommages ou dérangements dus à:
  - a. Mise en service, livraison ou entretien effectués incorrectement.
  - b. Toute réparation, modification, altération et tout réglage non autorisés par le fabricant ou par un prestataire de service après-vente agréé.
  - c. Accidents, mauvaise utilisation ou usage abusif ou déraisonnable.
  - d. Alimentation électrique (tension, intensité) incorrecte.
  - e. Réglage incorrect d'une commande.
2. Les garanties ne peuvent être honorées si les numéros de série d'origine ont été enlevés, modifiés ou ne sont pas facilement lisibles.
3. Ampoules.
4. Appareils achetés aux fins d'usage commercial ou industriel.
5. Les frais de visite d'un prestataire de service ou de service après-vente encourus pour les raisons suivantes:
  - a. Correction d'erreurs de mise en service.
  - b. Initiation de l'utilisateur à l'emploi de l'appareil.
  - c. Transport de l'appareil aux locaux du prestataire de service.
6. Les dommages de la table de cuisson en verre causés par l'utilisation de nettoyeurs autres que les crèmes et tampons de nettoyage recommandés.
7. Les dommages de la table de cuisson en verre causés par des produits sucrés ou du plastique fondu qui ont durci parce qu'ils n'ont pas été nettoyés conformément aux instructions données dans le guide d'utilisation et d'entretien.
8. Dommages secondaires ou indirects subis par toute personne suite au non-respect de ces garanties. Certains états ou provinces ne permettent pas l'exclusion ou la limitation des dommages secondaires ou indirects; par conséquent les limitations ou exclusions ci-dessus peuvent ne pas s'appliquer à votre cas.

## Si l'intervention d'un réparateur est nécessaire

- Contacter le détaillant chez qui l'appareil a été acheté, ou contacter Maytag Services<sup>SM</sup>/ service à la clientèle de Jenn-Air au 1-800-JENNAIR (1-800-536-6247), pour obtenir les coordonnées d'une agence de service agréée.
- Veiller à conserver la facture d'achat pour justifier de la validité de la garantie. Pour d'autres informations en ce qui concerne les responsabilités du propriétaire à l'égard du service sous garantie, voir le texte de la GARANTIE.
- Si le détaillant ou l'agence de service après-vente ne peut résoudre le problème, écrire à Maytag Services<sup>SM</sup>, attention CAIR® Center, P.O. Box 2370, Cleveland, TN 37320-2370 ou téléphoner au **1-800-JENNAIR (1-800-536-6247)**.
- Les guides d'utilisation, les manuels de service et les renseignements sur les pièces sont disponibles auprès de Maytag Services<sup>SM</sup>, service à la clientèle de Jenn-Air.

## Remarques :

Lors de tout contact concernant un problème, fournir l'information suivante:

- a. Nom, adresse et numéro de téléphone du client;
- b. Numéro de modèle et numéro de série de l'appareil;
- c. Nom et adresse du détaillant ou de l'agence de service;
- d. Description claire du problème observé;
- e. Preuve d'achat (facture de vente).



# ESTUFA ELECTRICO JENN-AIR CON CONTROL ELECTRÓNICO SENSIBLE AL TACTO 800

## GUÍA DE USO Y CUIDADO

### TABLA DE MATERIAS

Instrucciones Importantes sobre Seguridad .....	65-68
Cocinando en la Estufa .....	69-72
Cocinando en el Horno .....	73-86
Cuidado y Limpieza .....	87-90
Mantenimiento .....	91-92
Localización y Solución de Averías .....	93-94
Garantía y Servicio .....	95





**Instalador:** Por favor deje esta guía junto con el electrodoméstico.

**Consumidor:** Por favor lea y conserve esta guía para referencia futura. Conserve el recibo de compra y/o el cheque cancelado como comprobante de compra.

Número de Modelo \_\_\_\_\_

Número de Serie \_\_\_\_\_

Fecha de Compra \_\_\_\_\_

Si tiene preguntas, llame a:  
Jenn-Air Customer Assistance  
1-800-JENNAIR (1-800-536-6247)  
(Lunes a Viernes, 8:00 a.m. a 8:00 p.m. Hora del Este)  
Internet: <http://www.jennair.com>

En nuestro continuo afán de mejorar la calidad y rendimiento de nuestros electrodomésticos, puede que sea necesario modificar el electrodoméstico sin actualizar esta guía.

*Para información sobre servicio, ver página 95.*

# INSTRUCCIONES IMPORTANTES SOBRE SEGURIDAD

Las advertencias e instrucciones importantes sobre seguridad que aparecen en esta guía no están destinadas a cubrir todas las posibles circunstancias y situaciones que puedan ocurrir. Se debe ejercer sentido común, precaución y cuidado cuando instale, realice mantenimiento o haga funcionar el artefacto.

Siempre póngase en contacto con su distribuidor, agente de servicio o fabricante si surgen problemas o situaciones que usted no comprenda.

## Reconozca los símbolos, advertencias, etiquetas de seguridad

### ADVERTENCIA

**ADVERTENCIA** - Peligro o prácticas no seguras que PODRIAN causar lesión personal grave o mortal.

### PRECAUCIÓN

**PRECAUCIÓN** - Peligros o prácticas no seguras que PODRIAN causar lesión personal menos grave.

**Lea y siga todas las instrucciones antes de usar este electrodoméstico** para evitar el riesgo potencial de incendio, choque eléctrico, lesión personal o daño al electrodoméstico como resultado de su uso inapropiado. Utilice este electrodoméstico solamente para el propósito que ha sido destinado según se describe en esta guía.

**Para asegurar funcionamiento correcto y seguro:** El electrodoméstico debe ser instalado debidamente y puesto a tierra por un técnico calificado. No intente ajustar, reparar, prestar servicio o reemplazar ninguna pieza de este producto a menos que sea específicamente recomendado en esta guía. Todas las reparaciones deben ser realizadas por un técnico calificado.

Siempre desenchufe el electrodoméstico antes de efectuar alguna reparación.

## Instrucciones Generales

### ADVERTENCIA

- **TODAS LAS ESTUFAS SE PUEDEN VOLCAR Y CAUSAR LESIONES PERSONALES**
- **INSTALE EL DISPOSITIVO ANTIVUELCO INCLUIDO CON LA ESTUFA**
- **SIGA TODAS LAS INSTRUCCIONES DE INSTALACION**



**ADVERTENCIA:** Para reducir el riesgo de vuelco del electrodoméstico a causa de uso anormal o debido a peso excesivo en la puerta del horno, es necesario asegurarlo mediante un dispositivo antivuelco debidamente instalado.

Para verificar si el dispositivo está debidamente instalado, mire debajo de la estufa con una linterna para asegurarse de que uno de los tornillos niveladores traseros esté debidamente enganchado en la ranura del soporte. El dispositivo antivuelco asegura el tornillo nivelador trasero al piso cuando está debidamente enganchado. Esto debe verificarse **cada vez** que la estufa sea movida.

## Para Evitar un Incendio o Daño Causado por el Humo

Asegúrese de que se hayan retirado todos los materiales de empaque del electrodoméstico antes de su uso.

Mantenga el área alrededor del electrodoméstico libre y exenta de materiales combustibles, gasolina u otros vapores y materiales inflamables.

# INSTRUCCIONES IMPORTANTES SOBRE SEGURIDAD

Muchos plásticos son afectados por el calor. Mantenga los plásticos alejados de las piezas del electrodoméstico que se pueden entibiar o calentar.

Si el electrodoméstico es instalado cerca de una ventana, se debe tener cuidado para evitar que las cortinas pasen sobre los quemadores.

## En Caso de Incendio

Apague el electrodoméstico y la campana de ventilación para evitar que las llamas se dispersen. Extinga las llamas luego encienda la campana para expulsar el humo y el olor.

- **En la cubierta:** Apague el fuego o la llama en una sartén con una tapa o una bandeja de hornear.  
**NUNCA** levante o mueva una sartén en llamas.
- **En el horno:** Apague el fuego o la llama cerrando la puerta del horno.

No use agua en los incendios de grasa. Use bicarbonato, un producto químico seco o un extinguidor del tipo con espuma para apagar un incendio o la llama.

## Seguridad para los Niños

### PRECAUCIÓN

**NUNCA** almacene artículos de interés para los niños en los armarios que están sobre la estufa o en el protector trasero de la estufa. Los niños que se trepan en la puerta de la estufa para alcanzar tales artículos pueden lesionarse seriamente.

**NUNCA** deje a los niños solos o sin supervisión cuando el horno esté en uso o cuando esté caliente. No se debe nunca permitir que los niños se sienten o se paren en ninguna pieza del electrodoméstico pues se pueden lesionar o quemar.

Se les debe enseñar a los niños que el electrodoméstico y los utensilios que están en él pueden estar calientes. Deje enfriar los utensilios calientes en un lugar seguro, fuera del alcance de los niños. Se les debe enseñar a los niños que un electrodoméstico no es un juguete y que no deben jugar con los controles u otras piezas del artefacto.

## Instrucciones Generales

### ADVERTENCIA

**NUNCA** use un electrodoméstico como un peldaño para alcanzar los armarios superiores. El uso incorrecto de la puerta del electrodoméstico tales como pisar sobre ellas, apoyarse o sentarse en la puerta puede resultar en que el electrodoméstico se vuelque, se rompa la puerta y se causen lesiones graves.

Para evitar posibles riesgos para el usuario y daño al electrodoméstico, no use este producto como una estufa para calentar o entibiar una habitación. Además no use el horno como un lugar para guardar alimentos o utensilios de cocina.

No obstruya la circulación del aire bloqueando el respiradero del horno.

**NO TOQUE LOS ELEMENTOS CALEFACTORES NI LAS SUPERFICIES INTERIORES DEL HORNO.** Los elementos calefactores pueden estar calientes aún cuando su color sea oscuro. Las superficies interiores de cualquier horno se calientan lo suficiente como para causar quemaduras. Durante y después del uso, no toque ni permita que las ropas u otros materiales inflamables entren en contacto con los elementos calefactores o las superficies interiores del horno hasta que no se hayan enfriado. Otras superficies que pueden estar calientes incluyen la cubierta, las superficies que están dirigidas hacia la cubierta, el respiradero del horno, la superficie cercana a la abertura del respiradero, la puerta del horno y la área que la rodea, y la ventanilla del horno.

No toque un foco caliente del horno con un paño húmedo pues se puede quebrar. Si el foco se quiebra, desenchufe el electrodoméstico antes de sacar el foco para evitar sufrir un choque eléctrico.

**NUNCA** use papel de aluminio para cubrir las parrillas del horno ni el panel inferior del horno. El uso incorrecto puede resultar en un riesgo de choque eléctrico, incendio o daño al electrodoméstico. Use papel de aluminio solamente como se indica en esta guía.



# INSTRUCCIONES IMPORTANTES SOBRE SEGURIDAD

---

## Seguridad al Cocinar

Nunca caliente un contenedor de alimento cerrado en el horno. La acumulación de presión puede reventar el contenedor causando una lesión personal grave o daño al electrodoméstico.

Use toalla seca y gruesa. Las toallas húmedas pueden causar quemaduras por vapor. No se deben usar toallas de secar los platos ni otros sustitutos en vez de las toallas porque ellos pueden pasar sobre los elementos calientes y prenderse fuego o pueden quedar atrapados en las piezas del electrodoméstico.

Use vestimentas apropiadas. Las ropas sueltas o ropas con mangas largas sueltas no se deben usar cuando se está cocinando. La ropa se puede prender fuego y causar quemaduras si entra en contacto con los elementos calefactores.

Siempre coloque las parrillas del horno en las posiciones deseadas cuando el horno esté frío. Deslice la parrilla del horno hacia afuera para agregar o retirar alimento usando toalla seca y gruesa. Siempre evite colocar o retirar alimento del horno sin sacar la parrilla hacia afuera. Si una parrilla debe ser movida cuando esté caliente, use una toalla seca. No deje que la toalla entre en contacto con el elemento caliente del horno.

Use las parrillas solamente en el horno en que fueron enviadas/compradas.

Tenga cuidado cuando abra la puerta del horno. Primero deje que salga el aire o vapor caliente antes de sacar o volver a colocar el alimento en el horno.

**ADVERTENCIA SOBRE ALIMENTOS PREPARADOS:** Siga las instrucciones del fabricante del alimento. Si un contenedor de alimento congelado de plástico y/o su tapa se deforma, comba o de otra manera se daña durante la cocción, inmediatamente descarte el alimento y su contenedor. El alimento puede estar contaminado.

No permita que el papel de aluminio o la sonda de la carne toque el elemento calefactor.

Siempre apague todos los controles cuando haya terminado de cocinar.

## Seguridad sobre el Uso de Utensilios

Siga las instrucciones del fabricante cuando use bolsas para cocinar en el horno.

El rendimiento y funcionamiento seguro de este electrodoméstico ha sido comprobado usando utensilios de cocina tradicionales. No use ningún dispositivo o accesorio que no haya sido específicamente recomendado en esta guía. No use sistemas de convección agregables a hornos. El uso de dispositivos o accesorios que no sean expresamente recomendados en esta guía puede crear peligros graves de seguridad, afectar el rendimiento y reducir la vida útil de los componentes de este electrodoméstico.

Si el utensilio es más pequeño que el elemento, una porción del elemento quedará expuesta y puede encender la ropa o una toalla.

Solamente ciertos tipos de utensilios de vidrio, vidrio cerámico, cerámica, gres u otros utensilios vidriados son convenientes para cocinar en la superficie o en el horno sin quebrarse debido al repentino cambio de temperatura. Siga las instrucciones del fabricante del utensilio cuando use vidrio.

Gire los mangos de los utensilios hacia el centro de la cubierta, no hacia la habitación ni sobre otro elemento superior. Esto reduce el riesgo de quemaduras, encendido de materiales inflamables o derrames si el utensilio es tocado accidentalmente o alcanzado por niños pequeños.

## Cubierta

**NUNCA** deje los elementos superiores sin supervisión, especialmente cuando está usando los ajustes de calor altos. Un derrame sin recibir la debida atención puede causar humo y un derrame de grasa puede causar un incendio.

Este electrodoméstico tiene diferentes tamaños de elementos superiores. Seleccione utensilios que tengan bases planas lo suficientemente grandes para cubrir el elemento. La relación adecuada entre el utensilio y el elemento mejorará la eficiencia al cocinar.

**CUBIERTA DE VIDRIO CERAMICO: NUNCA** cocine sobre una cubierta quebrada. Si la cubierta de la estufa se quiebra, los agentes de limpieza y los derrames pueden penetrar y crear un riesgo de choque eléctrico. Póngase en contacto con un técnico calificado inmediatamente.

# INSTRUCCIONES IMPORTANTES SOBRE SEGURIDAD

## Ollas Freidoras

Use extremo cuidado cuando mueva la olla con aceite o descarte la grasa caliente. Deje que la grasa se enfríe antes de intentar mover la olla.

## Campanas de Ventilación

Limpie con frecuencia la campana y los filtros a fin de evitar que se acumule en ellos grasa u otros materiales inflamables y para evitar incendios de grasa.

Cuando prepare alimentos flameados debajo de la campana, encienda el ventilador.

## Seguridad en la Limpieza

Limpie con cuidado la cubierta. Apague todos los controles y espere que se enfríen las piezas del electrodoméstico antes de tocarlas o limpiarlas. Limpie con cuidado. Tenga cuidado para evitar quemaduras de vapor si usa una esponja o un paño mojado para limpiar los derrames en una superficie caliente. Algunos limpiadores pueden producir vapores nocivos cuando se aplican en una superficie caliente.

Limpie solamente las piezas indicadas en esta guía.

## Horno Autolimpiante

### PRECAUCIÓN

No deje las parrillas, asadera, alimentos o utensilios de cocina, etc. en el horno durante el ciclo de autolimpieza.

No limpie la junta de la puerta. La junta de la puerta es esencial para obtener un buen sello. Se debe tener cuidado de no frotar, dañar ni mover la junta.

No use limpiadores de horno ni forros de horno de ningún tipo alrededor ni en ninguna parte del horno autolimpiante.

Antes del ciclo de autolimpieza del horno, retire la asadera, las parrillas del horno y otros utensilios y limpie cualquier derrame para evitar humo excesivo o llamaradas.

## Aviso y Advertencia Importante Sobre Seguridad

La Propuesta 65 de la Ley de 1986 del Estado de California Sobre Seguridad y Contaminación del Agua Potable (California Safe Drinking Water and Toxic Enforcement Act of 1986) exige que el Gobernador de California publique una lista de las sustancias que según el estado de California causan cáncer o daño al sistema reproductivo y exige que las empresas adviertan a sus clientes sobre la exposición potencial a tales sustancias.

Se advierte a los usuarios de este electrodoméstico que cuando el horno está funcionando en el ciclo de autolimpieza, puede haber exposición de bajo nivel a algunas de las sustancias indicadas en la lista, incluyendo monóxido de carbono. La exposición a estas sustancias puede ser reducida a un mínimo ventilando el horno al exterior en forma adecuada, abriendo las ventanas y/o la puerta en la habitación en donde está ubicado el electrodoméstico durante el ciclo de autolimpieza.

### AVISO IMPORTANTE RESPECTO A LOS PAJAROS

**DOMESTICOS:** Nunca mantenga los pájaros en la cocina o en las habitaciones donde puedan llegar los humos de la cocina. Los pájaros tienen un sistema respiratorio muy sensitivo. Los humos producidos durante el ciclo de autolimpieza del horno pueden ser perjudiciales o mortales para los pájaros. Los humos que despiden el aceite de cocina recalentado, la grasa, margarina y los utensilios antiadherentes recalentados pueden también ser perjudiciales.

**Conserve estas Instrucciones para Referencia Futura**

# COCINANDO EN LA ESTUFA

## Controles Superiores

Use estos controles para encender los elementos superiores. Se dispone de una selección infinita de ajustes del calor desde **'Low'** (Bajo) hasta **'High'** (Alto). Las perillas pueden colocarse en cualquiera de estos ajustes o entre ellos.

### Programación de los Controles

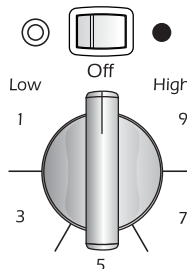
1. Coloque el utensilio sobre el elemento superior.
2. Oprima y gire la perilla en cualquier dirección hasta el ajuste de calor deseado.

- En el panel de control se encuentra marcado cual elemento controla cada perilla. Por ejemplo, el dibujo a la derecha indica el elemento delantero derecho.



3. En el panel de control hay una luz indicadora del elemento. Cuando se enciende alguna de las perillas de control, la luz se ilumina. La luz se apagará cuando todos los elementos superiores se apaguen. Cuando se enciende un control, se puede percibir un brillo a lo largo de la superficie lisa. El elemento pasará por ciclos de encendido y apagado para mantener el ajuste de calor seleccionado, inclusive en el ajuste **High** (Alto).

4. Después de cocinar coloque la perilla en la posición **'Off'** (Apagado). Retire el utensilio.



### Elementos dobles

La cubierta está equipada con dos elementos dobles situados en la parte delantera derecha y delantera izquierda de la cubierta. Esto le permite cambiar el tamaño de estos elementos.

Gire la perilla a la izquierda para usar el elemento más grande o a la derecha para usar el elemento más pequeño. La selección debe hacerse antes de encender el elemento.

## Ajustes de Calor Sugeridos

El tamaño, tipo de utensilio y la cocción afectarán el ajuste del calor. Para información sobre los utensilios y otros factores que afectan los ajustes del calor, consulte el folleto Recomendaciones sobre los Utensilios en la página 72 y el folleto "La Cocina Fácil".

**'Low' (Bajo) (1):** Se utiliza para mantener los alimentos calientes y derretir chocolate y mantequilla.

**'Med. Low' (Mediano Bajo) (3):** Use para continuar cocinando alimentos tapados o para cocinar al vapor.

**'High' (Alto) (9):** Se usa para hacer hervir un líquido. Siempre reduzca el ajuste a un calor más bajo cuando los líquidos comiencen a hervir o cuando los alimentos comiencen a cocinarse.

**'Medium' (Mediano) (5):** Usado para mantener un hervor lento para grandes cantidades de líquido y para la mayoría de las frituras.

**'Med. High' (Mediano Alto) (7):** Se usa para dorar carne, calentar aceite para freír en una sartén honda o para saltear. También para mantener un hervor rápido para cantidades grandes de líquidos.

## PRECAUCIÓN

### ANTES DE COCINAR

- Siempre coloque un utensilio en el elemento superior antes de encenderlo. Para evitar daño a la estufa, nunca encienda un elemento superior sin tener un utensilio sobre él.
- **NUNCA** use la cubierta de la estufa como una área para guardar alimentos o utensilios.

### MIENTRAS COCINA

- Asegúrese de que usted sabe cual perilla controla cada elemento. Asegúrese de que usted encendió el elemento correcto.
- Comience a cocinar en un ajuste de calor alto luego reduzca a un ajuste más bajo para completar la cocción. Nunca use un ajuste de calor alto para cocinar durante un tiempo prolongado.
- **NUNCA** permita que una olla hierva hasta secarse. Esto podría dañar la olla y el electrodoméstico.
- **NUNCA** toque la superficie de la estufa hasta que no se haya enfriado. Posiblemente algunas áreas de la superficie, especialmente alrededor de los elementos, se entibien o calienten mientras está cocinando. Use tomaollas para proteger sus manos.

### DESPUES DE COCINAR

- Asegúrese de que los elementos superiores estén apagados.
- Limpie cualquier derrame tan pronto como sea posible.

### OTROS CONSEJOS

- Si existen armarios directamente sobre la cubierta de la estufa, coloque en ellos artículos de uso poco frecuente y que pueden ser guardados con seguridad en un área que estará sujeta al calor. Algunas temperaturas pueden no ser seguras para artículos tales como líquidos volátiles, limpiadores o rociadores en aerosol.
- **NUNCA** deje ningún artículo, especialmente artículos de plástico, sobre la cubierta de la estufa. El aire caliente proveniente del respiradero puede encender los artículos inflamables, derretir o ablandar los plásticos o aumentar la presión en los contenedores cerrados haciéndolos reventar.
- **NUNCA** permita que el papel de aluminio, los termómetros de carne o cualquier otro objeto de metal, a excepción de una olla sobre un elemento superior, tenga contacto con los elementos calefactores.
- **NUNCA** guarde artículos pesados sobre la cubierta que puedan caerse y dañarla.

# COCINANDO EN LA ESTUFA

## Cubiertas Lisas

### Notas sobre las cubiertas lisas:

- La cubierta de la estufa puede emitir un poco de humo y olor la primera vez que se utiliza. Esto es normal.
- Las cubiertas lisas retienen el calor por un cierto período después que se ha apagado la estufa. Apague los elementos unos pocos minutos antes de que los alimentos estén completamente cocinados y use el calor restante para completar la cocción. Cuando la luz de superficie caliente se apaga, el área donde se cocina estará fría al tacto. Debido a la manera en que retienen el calor, los elementos lisos no responderán tan rápidamente a los cambios en los ajustes como los elementos espirales.
- En caso de un posible derrame, retire el utensilio de la cubierta de la estufa.
- Nunca trate de levantar la cubierta.
- La superficie lisa puede verse descolorida cuando está caliente. Esto es normal y desaparecerá cuando la superficie se enfríe.

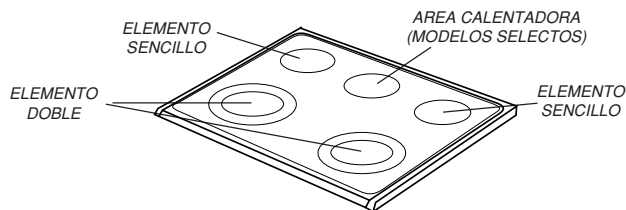
## Elementos Superiores

Los elementos superiores en su estufa están identificados por círculos permanentes en la superficie lisa. Para cocinar de manera más eficiente, use un utensilio que sea del mismo tamaño que el elemento.

**Los utensilios no deben extenderse más allá de 12 a 25 mm (1/2 a 1 pulgada) del tamaño del elemento.**

Cuando se enciende un control, se puede ver un resplandor a través de la superficie lisa. **El elemento pasará por ciclos de encendido y apagado para mantener el ajuste de calor seleccionado, aún en el ajuste 'Hi' (Alto).**

Para mayor información sobre los utensilios consulte la sección Recomendaciones sobre los Utensilios en la página 72 y el folleto "La Cocina Fácil" que se incluye con su estufa.



## Luz Indicadora de Superficie Caliente

La luz indicadora de superficie caliente se encuentra en el panel de control. La luz se iluminará cuando cualquiera de los elementos superiores esté caliente. Permanecerá encendida aún después de que el control sea apagado, hasta que el área se haya enfriado.

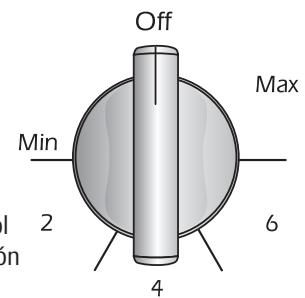


## Area Calentadora (modelos selectos)

Use el área calentadora para mantener calientes los alimentos ya cocinados, tal como verduras, salsas y platos de servir resistentes al horno.

### Ajuste del control:

1. Oprima y gire la perilla. Las temperaturas de calentamiento son aproximadas y están indicadas en el control como **'Min'** (Mín.) **2, 4, 6** y **'Max'** (Máx.). Sin embargo, el control puede colocarse en cualquier posición entre **'Min'** y **'Max'**.
2. Cuando haya terminado, gire el control a la posición **'Off'**. La luz indicadora de superficie caliente se apagará cuando se haya enfriado la superficie del área calentadora.



### Notas:

- Nunca caliente alimentos durante más de una hora (los huevos durante 30 minutos), pues se puede deteriorar la calidad del alimento.
- No caliente alimentos fríos en el área calentadora.
- Los ajustes variarán dependiendo del tipo y cantidad de alimento. Siempre mantenga el alimento a las temperaturas apropiadas del alimento. El USDA recomienda temperaturas entre 60° - 75° C (140° - 170° F) para los alimentos.

### Ajustes Sugeridos

Ajuste	Tipo de Alimento	
<b>Min - 2</b>	Panes/Pastelitos Cacerolas	Salsas Huevos
<b>2 - 6</b>	Carnes Sopas (Crema) Estofados	Plato de servir con comida Salsas Verduras
<b>6 - Max</b>	Alimentos fritos Sopas (Líquido)	Bebidas calientes

### Notas sobre el área calentadora:

- Use solamente utensilios y platos recomendados específicamente para usar en el horno y en la cubierta lisa.
- Siempre use guantes para el horno cuando retire los alimentos del área calentadora pues los utensilios y los platos estarán calientes.
- Todos los alimentos deben cubrirse con una tapa o con papel de aluminio para mantener la calidad de los alimentos.
- Cuando se calientan pastelitos y panes la tapa debe tener una abertura para dejar salir la humedad.
- No use envoltura de plástico para tapar los alimentos. El plástico se puede derretir en la superficie y ser muy difícil de limpiar.



# COCINANDO EN LA ESTUFA

## Consejos para proteger la cubierta lisa

### Limpieza (ver página 89 para mayor información)

- Antes de usar por primera vez, limpie la cubierta.
- Limpie la cubierta diariamente o después de cada uso. Esto la mantendrá con una buena apariencia y puede evitar que se dañe.
- Si se produce un derrame cuando esté cocinando, límpielo inmediatamente de la cubierta cuando ésta esté caliente para evitar una limpieza más difícil después. Tenga mucho cuidado, limpie el derrame con una toalla seca y limpia.
- No deje que los derrames permanezcan sobre la cubierta o sobre la moldura de la cubierta por un período de tiempo prolongado.
- **Nunca** use polvos de limpieza abrasivos ni esponjas de restregar que puedan rayar la cubierta.
- **Nunca** use blanqueador a base de cloro, amoníaco ni otros limpiadores que no hayan sido específicamente recomendados para usar en el vidrio cerámico.

### Para evitar marcas y rayaduras

- No use utensilios de vidrio. Pueden rayar la superficie.
- **Nunca** coloque un soporte o un aro de wok entre la cubierta y el utensilio. Estos artículos pueden marcar o rayar la cubierta.
- No deslice utensilios de aluminio a través de una cubierta caliente. Los utensilios pueden dejar marcas que deben ser limpiadas inmediatamente. (Ver Limpieza, página 89.)
- Asegúrese de que la cubierta y la parte inferior del utensilio estén limpias antes de encender la estufa a fin de evitar rayaduras.
- Para evitar las rayaduras o daño a la cubierta de vidrio cerámico, no deje azúcar, sal o grasas sobre los elementos. Limpie la cubierta con un paño limpio o con toallas de papel antes de usarla.
- **Nunca** deslice utensilios de metal pesados a través de la cubierta pues pueden rayarla.

### Para evitar las manchas

- **Nunca** use un paño o una esponja sucia para limpiar la cubierta de la estufa. Esto puede dejar una película que puede manchar la cubierta después que el área se calienta.
- Si se continúa cocinando sobre una superficie sucia se puede/ podrá producir una mancha permanente.

### Para evitar otros daños

- No deje que en la cubierta caliente se derritan plásticos, azúcar o alimentos con alto contenido de azúcar. Si esto sucede, limpie inmediatamente. (Ver Limpieza, página 89.)
- **Nunca** deje que una olla hierva hasta quedar seca pues esto dañará la superficie y el utensilio.
- **Nunca** use la cubierta como una superficie de trabajo ni como una tabla de cortar.
- **Nunca** cocine alimentos directamente sobre la cubierta.
- No use un utensilio pequeño en un elemento grande. Esto no sólo desperdicia energía sino que también pueden producirse derrames calientes sobre la cubierta los cuales requieren limpieza adicional.
- No use utensilios especiales que no sean planos, de tamaño mayor o desnivelados tal como la parte inferior redonda de los woks, con fondos acanalados y/o parrillas y ollas de gran tamaño para preparar conservas.
- No use aluminio ni contenedores de papel de aluminio. El aluminio se puede derretir en la cubierta de vidrio cerámico. Si el metal se derrite en la cubierta, no use la estufa. Llame a un técnico autorizado de Jenn-Air.

# COCINANDO EN LA ESTUFA

## Recomendaciones sobre los utensilios

Si se usan los utensilios correctos se pueden ahorrar muchos problemas, tal como prolongación del tiempo de cocción de los alimentos u obtención de resultados no consistentes. Los utensilios correctos reducen el tiempo de cocción, usan menos energía eléctrica y cocinan los alimentos de manera más uniforme.

### Prueba de las Ollas Planas

Verifique si sus ollas son planas.



#### La prueba de la regla:

1. Coloque una regla a través del fondo de la olla.
2. Colóquela a la luz.
3. Poca o ninguna luz debe verse debajo de la regla.

#### La prueba de la burbuja:

1. Coloque una pulgada de agua en la olla. Coloque la olla en la cubierta y gire el control a **'High'** (Alto).
2. Observe la formación de burbujas a medida que el agua se calienta. Las burbujas uniformes significan buen rendimiento y las burbujas no irregulares indican puntos calientes y cocción dispareja.

Ver el folleto "La Cocina Fácil" para mayor información.

## Utensilios para preparar conservas y de tamaños grandes

**Todas las ollas para preparar conservas y las ollas grandes deben tener fondos planos y deben ser hechos de materiales gruesos.** Esto es muy importante para las cubiertas lisas. La base no debe ser más de 2,5 cm (1 pulgada) más grande que el elemento.

Cuando las ollas de preparar conservas y las ollas de tamaños grandes no cumplen estos requisitos, la cocción pueden demorar más tiempo y se pueden dañar las cubiertas de las estufas.

Algunas ollas de preparar conservas tienen bases pequeñas para usarlas en las superficies lisas de las estufas.

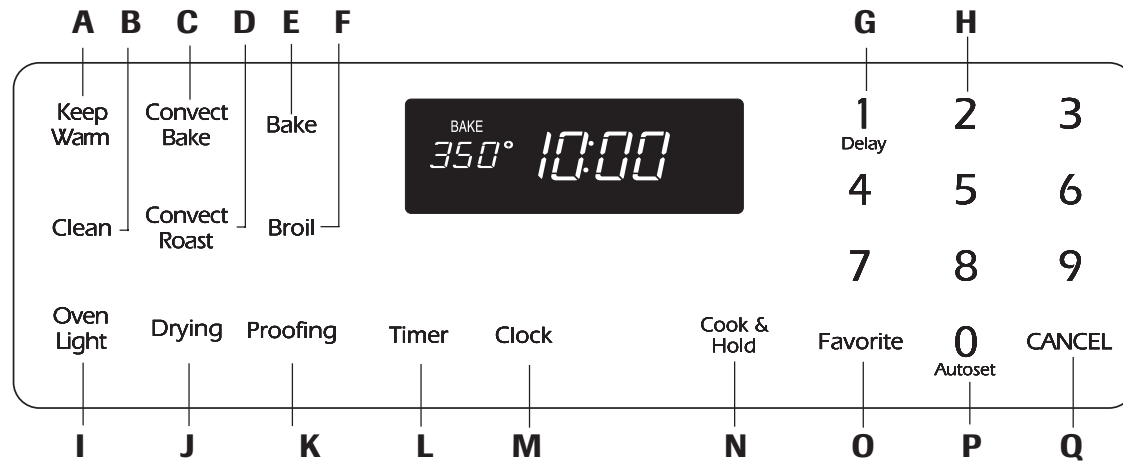
**Cuando esté preparando conservas, use el ajuste de calor alto hasta que el agua comience a hervir** o se logra la presión en el olla. Reduzca el calor al ajuste más bajo que mantenga el hervor o la presión. Si no se reduce el calor, se puede dañar la cubierta de la estufa.

Consulte el folleto "La Cocina Fácil" para mayor información.

Use	Evite
Utensilios planos y suaves.	Los utensilios con fondos acanalados o arqueados. Los utensilios con fondos irregulares no cocinan uniformemente los alimentos y algunas veces no pueden hervir líquido.
Utensilios de material grueso.	Los utensilios de metales delgados o de vidrio.
Utensilios que sean del mismo tamaño que el elemento.	Los utensilios más pequeños o más grandes que el elemento en 2,5 cm (1 pulgada).
Mangos seguros.	Los utensilios con mangos sueltos o rotos. Mangos pesados que pueden inclinar el utensilio.
Tapas herméticas.	Las tapas sueltas.
Woks con fondo plano.	Los woks con fondo apoyado en un aro.

# COCINANDO EN EL HORNO

## Panel de Control



El panel de control ha sido diseñado para su fácil programación. El indicador visual en el panel de control muestra la hora del día, el temporizador y las funciones del horno. El panel de control mostrado arriba incluye las características de convección y además las características específicas de otros modelos. (El estilo del panel de control varía según el modelo.)

<b>A</b>	'Keep Warm' (Mantener Caliente)	Se usa para mantener caliente en el horno el alimento cocinado.
<b>B</b>	'Clean' (Limpieza)	Se usa para programar un ciclo de autolimpieza.
<b>C</b>	'Convect Bake' (Horneado por Convección)	Se usa para hornear por convección. (modelos selectos)
<b>D</b>	'Convect Roast' (Asado por Convección)	Se usa para asar por convección. (modelos selectos)
<b>E</b>	'Bake' (Hornear)	Se usa para hornear y asar.
<b>F</b>	'Broil' (Asar a la Parrilla)	Se usa para asar a la parrilla y dorar los alimentos.
<b>G</b>	'Delay' (Diferido)	Programa el horno para comenzar a hornear o limpiarse a una hora posterior.
<b>H</b>	Teclas Numéricas	Se usan para programar los tiempos y temperaturas.
<b>I</b>	'Oven Light' (Luz del Horno)	Se usa para encender o apagar la luz del horno.
<b>J</b>	'Drying' (Secado) (modelos selectos)	Se usa para secar frutas, verduras, hierbas, etc.
<b>K</b>	'Proofing' (Esponjamiento de masa) (modelos selectos)	Se usa para esponjar masa de pan con levadura antes del horneado.
<b>L</b>	'Timer' (Temporizador)	Programa al temporizador.
<b>M</b>	'Clock' (Reloj)	Se usa para programar la hora del día.
<b>N</b>	'Cook & Hold' (Cocción y Mantener Caliente)	Se usa para hornear durante un tiempo seleccionado, luego mantiene el alimento caliente durante una hora.
<b>O</b>	'Favorite' (Favorito)	Se usa para programar y guardar un procedimiento específico de 'Cook & Hold'.
<b>P</b>	'Autoset' (Programación Automática)	Se usa para programar temperaturas con rapidez.
<b>Q</b>	'CANCEL' (Cancelar)	Cancelar todas las funciones a excepción del temporizador y el reloj.

## Uso de las Teclas

- Oprima la tecla deseada.
- Oprima las teclas numéricas para programar el tiempo o la temperatura.
- Oprima la tecla 'Autoset 0' para programar la temperatura.
- Se escuchará una señal sonora cada vez que oprima una tecla.
- Se escucharán dos señales sonoras si ocurre un error en la programación.

**Nota:** Cuatro segundos después de haber indicado el número, el tiempo o la temperatura, la función será automáticamente programada. Si transcurren más de 30 segundos después de haber oprimido una tecla de función y antes de oprimir las teclas numéricas, la función será cancelada y el indicador visual volverá al despliegue anterior.

## 'Clock' (Reloj)

El reloj puede ser ajustado para desplegar la hora ya sea en formato de 12 horas o 24 horas. El reloj ha sido programado en la fábrica para el formato de 12 horas.

### Para cambiar el reloj a formato de 24 horas:

1. Oprima y mantenga oprimidas las teclas 'CANCEL' y 'Favorite' durante tres segundos.
  - '12 Hr' destella en la pantalla.
2. Oprima la tecla 'Autoset 0' para seleccionar 24 horas; oprímala nuevamente para seleccionar '12 Hr'.
3. Programe la hora del día siguiendo las instrucciones indicadas en la sección Programación del Reloj.

CANCEL

Favorite

0  
Autoset

# COCINANDO EN EL HORNO

## Programación del Reloj:

1. Oprima la tecla 'Clock'.
  - En el indicador destella la hora del día.
2. Oprima las teclas numéricas apropiadas para programar la hora del día.
  - Los dos puntos destellan en el indicador.
3. Oprima la tecla 'Clock' nuevamente o espere cuatro segundos.
  - Los dos puntos permanecerán iluminados.

Cuando se conecta energía eléctrica al horno o después de una interrupción de la energía eléctrica, la última hora del reloj previa a la interrupción destellará en el indicador.

Para desplegar la hora del día cuando el indicador esté mostrando otra función de tiempo, oprima la tecla 'Clock'.

La hora del reloj no puede ser cambiada cuando el horno ha sido programado para 'Delay Cook', 'Clean' o 'Cook & Hold'.

## Para cancelar el despliegue del reloj:

Si no desea que el indicador visual muestre la hora del día:

Oprima y mantenga oprimida las teclas 'CANCEL' y 'Clock' durante tres segundos. La hora del día desaparecerá del indicador.

Cuando se cancela el despliegue del reloj, oprima la tecla 'Clock' para desplegar brevemente la hora del día.

Cuando se cancela el despliegue del reloj, después de 15 minutos, el control del horno pasará a **Modo de Reserva** para ahorrar energía. El indicador visual estará en blanco y la luz del horno no funcionará. Para activar el control y sacarlo del modo de reserva, oprima cualquier tecla. Se escucharán dos señales sonoras.

## Para restaurar el despliegue del reloj:

Oprima y mantenga oprimida las teclas 'CANCEL' y 'Clock' durante tres segundos. La hora del día reaparecerá del indicador.

## 'Timer' (Temporizador)

El temporizador puede ser programado de un minuto (0:01) hasta 99 horas y 59 segundos (99:59).

El temporizador puede ser usado independientemente de cualquier otra actividad del horno. Además puede ser programado cuando otra función del horno esté en funcionamiento.

El temporizador no controla el horno. Solamente controla una señal sonora.

## Para programar el temporizador:

1. Oprima la tecla 'Timer'.
  - En el indicador visual destellará '0:00' y 'TIMER'.
2. Oprima las teclas numéricas apropiadas hasta que el tiempo correcto aparezca en el indicador visual.
  - Los dos puntos y 'TIMER' continuarán destellando.

Clock

3. Oprima nuevamente la tecla 'Timer' o espere cuatro segundos.
  - Los dos puntos dejan de destellar y el tiempo comienza la cuenta regresiva.
  - El último minuto de la cuenta regresiva del temporizador se desplegará en segundos.
4. Al final del tiempo programado, se escuchará una señal sonora larga y 'End' (Fin) se desplegará en el indicador visual.
5. Oprima la tecla 'Timer' para despejar el indicador visual.

## Para cancelar el temporizador:

1. Oprima y mantenga oprimida la tecla 'Timer' durante tres segundos.
  - U
2. Oprima la tecla 'Timer' y oprima '0' usando las teclas numéricas.

Timer

0

## Bloqueo de los Controles y de la Puerta del Horno

El teclado y la puerta del horno pueden ser bloqueados para seguridad, limpieza o evitar el uso no autorizado. Las teclas no funcionan cuando están bloqueadas.

Si el horno está en funcionamiento, las teclas ni la puerta puede ser bloqueada.

La hora actual del día permanecerá en el indicador cuando las teclas y la puerta esté bloqueada.

## Para bloquear:

Oprima y mantenga oprimidas las teclas 'CANCEL' y 'Cook & Hold' durante tres segundos. (Oprima primero la tecla 'CANCEL').

- En el indicador visual aparece 'OFF'.
- 'LOCK' destella cuando la puerta se está bloqueando.

## Para desbloquear:

Oprima y mantenga oprimidas las teclas 'CANCEL' y 'Cook & Hold' durante tres segundos. (Oprima primero la tecla 'CANCEL'). 'OFF' desaparece del indicador visual.

**Nota:** Las teclas y la puerta del horno no puede bloquearse si la temperatura del horno es 205° C (400° F) o superior.

## Códigos de Errores

'BAKE' o 'LOCK' pueden destellar rápidamente para advertirle que hay un error o un problema. Si 'BAKE' o 'LOCK' destellan en el indicador visual, oprima la tecla 'CANCEL'. Si 'BAKE' o 'LOCK' continúan destellando, desconecte la corriente eléctrica hacia el artefacto. Espere unos pocos minutos y vuelva a conectar la corriente eléctrica. Si las palabras aún continúan destellando, desconecte la corriente eléctrica hacia el artefacto y llame a un técnico de servicio autorizado.

# COCINANDO EN EL HORNO

## Horneado

### Para programar 'Bake' (Hornear):

- Oprima la tecla 'Bake'.
  - 'BAKE' y '000' destellará en el indicador visual.
- Seleccione la temperatura del horno. Oprima la tecla 'Autoset 0' para 175° C (350° F) o las teclas numéricas apropiadas.
  - Cada vez que oprima la tecla 'Autoset 0' la temperatura se aumentará en 15° C (25° F).
  - La temperatura del horno puede ser programada de 75° a 285° C (170° a 550° F).
- Oprima la tecla 'Bake' nuevamente o espere cuatro segundos.
  - 'BAKE' dejará de destellar y se iluminará en el indicador visual.



- En el indicador visual se desplegará 38° (100°) o la temperatura real del horno si es que es superior a 38° C (100° F). La temperatura aumentará en incrementos de 3° C (5° F) hasta llegar a la temperatura programada.
- Espera a que el horno se precaliente durante 8-15 minutos.
    - Cuando el horno llega a la temperatura programada se escuchará una señal sonora larga.
    - La temperatura programada se desplegará en el indicador visual.
    - Para verificar la temperatura programada durante el precalentamiento del horno, oprima la tecla 'Bake'.
  - Coloque el alimento en el horno.
  - Verifique el progreso de la cocción cuando haya transcurrido el tiempo mínimo recomendado. Continúe la cocción si es necesario.
  - Al término de la cocción, oprima la tecla 'CANCEL'.
  - Retire el alimento del horno.

CANCEL

### Notas sobre Horneado:

- Para cambiar la temperatura del horno durante el proceso de cocción**, oprima la tecla 'Bake', luego oprima 'Autoset 0' o las teclas numéricas apropiadas hasta que se despliegue la temperatura deseada.
- Para cambiar la temperatura del horno durante 'Preheat'**, oprima **dos veces** la tecla 'Bake', luego oprima 'Autoset 0' o las teclas numéricas apropiadas hasta que se despliegue la temperatura deseada.
- Si olvida apagar el horno, se apagará automáticamente después de transcurrir 12 horas. Si desea desactivar esta característica, vea la página 82.
- Para sugerencias adicionales sobre horneado y asado, consulte el folleto "La Cocina Fácil".

Bake

0  
Autoset

## Diferencias del horneado entre su horno antiguo y su horno nuevo

Es normal observar algunas diferencias en el tiempo de horneado de su horno antiguo y su horno nuevo. Vea "Ajuste de la Temperatura del Horno" en la página 83.

## Horneado por Convección

(modelos selectos)

**Cuando hornee por convección, programe la temperatura normal de horneado.** El control reducirá automáticamente la temperatura programada en 15° C (25° F). En el indicador visual se desplegará la temperatura programada.

### Para programar 'Convect Bake' (Horneado por Convección):

- Oprima la tecla 'Convect Bake'.
  - 'BAKE' y el ícono del ventilador destellarán.
  - '000' destellará en el indicador visual.
- Seleccione la temperatura del horno. Oprima la tecla 'Autoset 0' para 175° C (350° F) o las teclas numéricas apropiadas.
  - Cada vez que oprima la tecla 'Autoset 0' la temperatura se aumentará en 15° C (25° F). La temperatura del horno puede ser programada de 75° a 285° C (170° a 550° F).
- Oprima la tecla 'Convect Bake' nuevamente o espere cuatro segundos.
  - 'BAKE' dejará de destellar.
  - En el indicador visual se desplegará 38° (100°) o la temperatura real del horno si es que es superior a 38° C (100° F). La temperatura aumentará en incrementos de 3° C (5° F) hasta llegar a la temperatura programada.
  - El ícono del ventilador comenzará a girar.
- Espera a que el horno se precaliente durante 8-15 minutos.
  - Cuando el horno llega a la temperatura programada se escuchará una señal sonora larga.
  - Se desplegará la temperatura programada.
  - Para verificar la temperatura programada durante el precalentamiento del horno, oprima la tecla 'Convect Bake'.

Convect  
Bake

0  
Autoset



- Coloque el alimento en el horno.
- Verifique el progreso de la cocción cuando haya transcurrido el tiempo mínimo recomendado. Continúe la cocción si es necesario.
- Al término de la cocción, oprima la tecla 'CANCEL'.
- Retire el alimento del horno.

CANCEL

# COCINANDO EN EL HORNO

## Asado por Convección

(modelos selectos)

**Cuando esté asando por convección, programe el tiempo y temperatura de asar normal.** El control le advertirá automáticamente cuando haya transcurrido 75% del tiempo de asado programado para que verifique el grado de cocción de los alimentos.

### Notas sobre Asado:

- Cuando asa por convección, el tiempo de cocción debe ser programado antes que la temperatura.
- Si su receta requiere un horno precalentado, agregue 15 minutos al tiempo de cocción programado.
- Los tiempos de asado pueden variar con los diferentes cortes de carne.
- No es necesario precalentar el horno cuando se asan por convección cortes de carne grandes.
- Consulte las temperaturas y tiempos de asado sugeridos en el folleto "La Cocina Fácil".

### Para programar 'Convect Roast' (Asado por Convección):

1. Oprima la tecla 'Convect Roast'.
  - 'ROAST' y el ícono del ventilador destellarán.
  - '00:00' destellará en el indicador visual.
  - '000' se ilumina en el indicador visual.
2. Seleccione la temperatura de asar usando las teclas numéricas apropiadas.
  - El tiempo puede ser programado de 10 minutos (00:10) a 11 horas, 59 minutos (11:59).
  - Oprima la tecla 'Convect Roast' nuevamente o espere 4 segundos.
  - 'ROAST' y el ícono del ventilador destellarán en el indicador visual.
  - '000' destellará en el indicador visual.
3. Seleccione la temperatura del horno. Oprima la tecla 'Autoset 0' para 165° C (325° F) o las teclas numéricas apropiadas.
  - Cada vez que oprima la tecla 'Autoset 0' la temperatura se aumentará en 15° C (25° F).
  - La temperatura del horno puede ser programada de 75° a 285° C (170° a 550° F).

Convect  
Roast

0  
Autoset

4. Oprima la tecla 'Convect Roast' nuevamente o espere cuatro segundos.
  - 'ROAST' dejará de destellar y se iluminará en el indicador visual.
  - En el indicador visual se desplegará 38° (100°) o la temperatura real del horno. Aumentará en incrementos de 3° C (5° F) hasta llegar a la temperatura programada.
  - El ícono del ventilador comenzará a girar.



### Notas:

- Si es necesario precalentamiento, espere a que el horno se precaliente durante 8-15 minutos.
- Cuando el horno llega a la temperatura programada se escuchará una señal sonora larga.

5. Coloque el alimento en el horno.
  - La cuenta regresiva del tiempo comenzará cuando el horno comience a calentarse.
  - Para verificar la temperatura programada durante el precalentamiento del horno, oprima la tecla 'Convect Roast'.
6. Cuando haya transcurrido 75% del tiempo de cocción, la luz del horno se encenderá y 'FOOD' destellará en el indicador visual. En este momento verifique el progreso de la cocción. Cocine por más tiempo si es necesario.
  - La luz del horno permanecerá encendida hasta que se oprima la tecla 'Oven Light'.
  - Oprima cualquier tecla para verificar el tiempo de cocción restante.
7. Al término de la cocción, oprima la tecla 'CANCEL'.
8. Retire el alimento del horno.

CANCEL

# COCINANDO EN EL HORNO

## ‘Cook & Hold’

Cuando se usa la opción **‘Cook & Hold’**, el horno comienza a calentar inmediatamente después de que el control ha sido programado. Luego, el horno cocina durante un período de tiempo especificado. Cuando ese tiempo expira, el horno mantendrá el alimento caliente hasta durante una hora y luego se apagará automáticamente.

### Para programar ‘Cook & Hold’:

- Oprima la tecla ‘Cook & Hold’.
  - ‘HOLD’ destellará para indicarle que usted está programando ‘Cook & Hold’.
  - ‘00:00’ destellará en el indicador visual.
- Seleccione la cantidad de tiempo que usted desea cocinar usando las teclas numéricas.
  - ‘HOLD’ continúa destellando.
  - El tiempo se iluminará en el indicador visual.
  - El tiempo puede programarse de 10 minutos (00:10) a 11 horas, 59 minutos (11:59).
- Cuando HOLD esté destellando, oprima ‘Bake’, ‘Convect Bake’ o ‘Convect Roast’ (modelos selectos) y seleccione la temperatura del horno. Oprima la tecla ‘Autoset 0’ para 175° C (350° F) o las teclas numéricas apropiadas.
  - En el indicador visual destellará el nombre del ciclo deseado.
  - La temperatura del horno puede ser programada de 75° a 285° C (170° a 550° F).
- Oprima nuevamente la tecla del ciclo deseado O espere cuatro segundos.
  - El nombre del ciclo deseado permanecerá iluminado.
  - En el indicador visual se desplegará el tiempo de cocción.
  - La temperatura real del horno se desplegará durante el precalentamiento.
  - La temperatura programada se desplegará cuando el horno se haya precalentado.

Cook &  
Hold

Bake

0  
Autoset

### Cuando haya expirado el tiempo de cocción:

- Se escucharán cuatro señales sonoras.
- ‘HOLD’ y ‘WARM’ se iluminarán.
- En el indicador se desplegará 75° (170°).
- Se desplegará la hora del día.



### Después de una hora en ‘HOLD WARM’ (Mantener Caliente):

- El horno se apaga automáticamente.
- ‘HOLD’ y ‘WARM’ se apagan.
- Retire el alimento del horno.

### Para cancelar ‘Cook & Hold’ en cualquier momento:

Oprima la tecla ‘CANCEL’. Retire el alimento del horno.

CANCEL

# COCINANDO EN EL HORNO

## 'Delay Cook & Hold'

('Cook & Hold' Diferido)



### PRECAUCIÓN

No use horneado diferido para alimentos de corta duración tales como productos lácteos, cerdo, carne de ave o mariscos.

Cuando usa **'Delay'**, el horno comienza a cocinar más tarde en el día. Programe la cantidad de tiempo que usted desea diferir antes de que se encienda el horno y cuanto tiempo desea cocinar el alimento. El horno comienza a calentar en la hora seleccionada y cocina durante el tiempo especificado.

El tiempo diferido puede programarse de 10 minutos (00:10) hasta 11 horas, 59 minutos (11:59).

### Para programar un ciclo de 'Cook & Hold' diferido:

- Oprima la tecla '1 Delay'.
  - 'DELAY' se destella en el indicador.
  - '00:00' destella en el indicador.
- Usando las teclas numéricas apropiadas,  **programe la cantidad de tiempo que usted desea diferir** el comienzo del ciclo 'Cook & Hold'.
- Oprima la tecla 'Cook & Hold'.
  - 'HOLD' y 'DELAY' destellan en el indicador visual.
  - '00:00' destella en el indicador visual.
- Programe **la cantidad de tiempo que usted desea cocinar** usando las teclas numéricas.
- Oprima 'Bake', 'Convect Bake' o 'Convect Roast' (modelos selectos).
- Programe la temperatura del horno** deseada oprimiendo la tecla 'Autoset 0' o las teclas numéricas apropiadas.
  - '175° (350°)' se iluminará cuando se oprime 'Autoset 0'.
  - Después de cuatro segundos, el tiempo diferido programado aparecerá en el indicador visual.
  - 'HOLD' se apaga.
  - Las palabras 'BAKE' y 'DELAY' permanecen iluminadas para recordarle que se ha programado un ciclo de 'Cook & Hold' diferido.

#### Notas:

- No use 'Cook & Hold' diferido para artículos que requieren un horno precalentado, tales como pasteles, galletas y panes.
- No use 'Cook & Hold' diferido si el horno ya está caliente.

## 'Keep Warm' (Mantener Caliente)

Para mantener calientes en forma segura alimentos calientes o para calentar panes y platos.

### Para programar 'Keep Warm':

- Oprima la tecla 'Keep Warm' en el indicador visual.
  - 'WARM' destella en el indicador visual.
  - '000' destella en el indicador visual.
- Seleccione la temperatura de 'Keep Warm'. Oprima la tecla 'Autoset 0' o las teclas numéricas apropiadas.
  - 75° (170°) se iluminará cuando se oprima la tecla 'Autoset 0'.
  - Cada vez que oprima la tecla 'Autoset 0', la temperatura aumentará en 3° C (5° F).

La temperatura de 'Keep Warm' puede ser programada de 63° a 90° C (145° a 190° F).

'WARM' y la temperatura se desplegarán en el indicador cuando la función esté activa.



### Para cancelar 'Keep Warm':

- Oprima la tecla 'CANCEL'.
- Retire el alimento del horno.

### Notas sobre 'Keep Warm':

- Para calidad óptima de los alimentos, los alimentos cocinados en el horno deben ser mantenidos calientes por no más de 1 a 2 horas.
- Para evitar que los alimentos se sequen, cúbralos levemente con papel de aluminio o una tapa.
- Para calentar panecillos:**
  - cubra levemente los panecillos con papel de aluminio y colóquelos en el horno.
  - oprime las teclas 'Keep Warm' y 'Autoset 0'.
  - caliente durante 15 a 20 minutos.
- Para calentar platos:**
  - coloque 2 filas de cuatro platos cada una en el horno.
  - oprime las teclas 'Keep Warm' y 'Autoset 0'.
  - caliente los platos durante cinco minutos, apague el horno y deje los platos en el horno durante 15 minutos más.
  - use solamente platos resistentes al horno, verifique con el fabricante.
  - no coloque los platos calientes sobre una superficie fría pues el cambio rápido de temperatura puede causar fisuras superficiales o rotura.

# COCINANDO EN EL HORNO

## ‘Broiling’ (Asar a la Parrilla)

### Para programar ‘Broil’:

- Oprima la tecla ‘Broil’.
  - ‘BROIL’ y ‘SET’ (Validar) destellan en el indicador visual.
- Oprima la tecla ‘Autoset 0’ una vez para ‘HI broil’ (Asar a la parrilla con temperatura alta) o dos veces para ‘LO broil’ (Asar a la parrilla con temperatura baja).
  - En el indicador visual se desplegará ‘HI’ o ‘LO’.
  - Selecciones ‘HI broil’ (285° C [550° F]) para asado a la parrilla normal. Seleccione ‘LO broil’ (230° C [450° F]) para asar a la parrilla con temperatura baja alimentos que deben ser cocinados por más tiempo, tal como la carne de ave.
- Después de cuatro segundos, el horno comenzará a funcionar.
  - ‘BROIL’ continuará iluminado.
  - ‘HI’ o ‘LO’ permanecerán iluminados.



- Para un dorado óptimo, precaliente el elemento de asar a la parrilla durante 3 a 4 minutos antes de colocar el alimento.
- Coloque el alimento en el horno. Deje la puerta abierta aproximadamente 10 cm (cuatro pulgadas) (el primer tope).

- Dé vuelta a la carne una vez aproximadamente a mitad de la cocción.
- Cuando el alimento esté cocinado, oprima la tecla ‘CANCEL’. Retire el alimento y la asadera del horno.
  - La hora del día volverá a desplegarse en el indicador visual.

### Notas Sobre Asado a la Parrilla:

- Para mejores resultados cuando ase a la parrilla, use una asadera diseñada para asar a la parrilla.
- Los tiempos de asar a la parrilla aumentarán y el dorado será más claro si el electrodoméstico es instalado en un circuito de 208 voltios.
- “HI” se usa para la mayoría de los asados a la parrilla. Use ‘LO broil’ cuando ase a la parrilla alimentos que necesitan cocción prolongada. La temperatura inferior permite que el alimento se cocine hasta quedar bien asado sin dorarse demasiado.
- Los tiempos de asado a la parrilla pueden ser más largos cuando se selecciona la temperatura más baja de asar a la parrilla.
- El mayor de los alimentos debe ser dado vuelta cuando está a mitad del tiempo de asar.
- Para sugerencias y temperaturas adicionales sobre asar a la parrilla, consulte el folleto “La Cocina Fácil”.

## Tabla de Asar a la Parrilla

ALIMENTOS	POSICION DE LA PARRILLA	TIEMPO APPROX. PRIMER LADO	TIEMPO APPROX. SEGUNDO LADO
<b>Carne de Res</b>			
Biftec, 2,5 cm (1")	A medio asar 6	8 minutos	7 - 12 minutos
	Bien asado 6	10 minutos	8 - 14 minutos
Hamburguesas, 1,9 cm (3/4") de grosor	Bien asado 6 o 7	9 minutos	6 - 9 minutos
<b>Carne de Cerdo</b>			
Tocino	6	6 - 10 minutos	(no se dá vuelta)
Chuletas, 2,5 cm (1")	6	10 - 11 minutos	12 - 14 minutos
Rebanada de jamón	6	5 minutos	3 - 7 minutos
<b>Carne de Ave</b>			
Mitades de pechugas	4	‘LO Broil’ 15 minutos	‘LO Broil’ 15 - 25 minutos
<b>Mariscos</b>			
Filetes de pescado, con mantequilla, 2,5 cm (1") de grosor	6	10 - 15 minutos	(no se dá vuelta)
Colas de langosta, 85-115 g (3-4 onzas) cada una	5	7 - 10 minutos	(no se dá vuelta)

**Nota:** Esta tabla es sólo una guía. Los tiempos pueden variar con el tipo de alimento que se está cocinando.

# COCINANDO EN EL HORNO

## 'Drying' (Secado) (modelos selectos)

Use una rejilla de secado para obtener mejores resultados. La rejilla permite que el aire circule en forma pareja alrededor de los alimentos.

El ventilador de convección funcionará durante el procedimiento de secado.

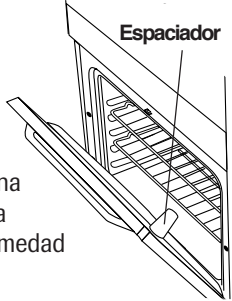
### Para programar 'Drying':

1. Coloque el alimento en el horno.

- Abra levemente la puerta del horno.

La puerta del horno necesita estar abierta levemente para permitir que escape la humedad del horno durante el proceso de secado.

- Coloque el espaciador magnético de la puerta (Pieza No. 8010P146-60) en el área circular ligeramente rebajada, en la parte derecho superior de la puerta del horno. El espaciador proporciona una separación entre el marco del horno y la puerta del horno permitiendo que la humedad escape.
- Cierre suavemente la puerta del horno hasta que el espaciador descanse contra el marco del horno y el interruptor de la luz. La luz del horno permanecerá APAGADA cuando el espaciador esté en la posición correcta.



**Nota:** Si el espaciador no es colocado correctamente, el ventilador de convección no funcionará.

2. Oprima la tecla 'Drying'.

Drying

- 'DRY' destella en el indicador visual.

3. Oprima la tecla 'Autoset 0' para 60° C (140° F) u oprima las teclas numéricas correspondientes para la temperatura de secado deseada.

0  
Autoset

- Al oprimir la tecla 'Autoset 0' la temperatura se aumenta en incrementos de diez grados.
- La temperatura puede ser programada entre 38° - 94° C (100° - 200°F).

4. Después de cuatro segundos, 'DRY' y la temperatura programada se desplegarán en el indicador visual.

5. Cuando termine el secado, apague el horno oprimiendo la tecla 'CANCEL'.

CANCEL

Siga la Guía de Secado que se incluye en la página 81 para los tiempos de secado. Verifique los alimentos en los tiempos mínimos recomendados. Enfríe los alimentos a temperatura ambiente antes de probar el grado de cocción.

### Notas sobre el secado:

- Para comprar una rejilla de secado, póngase en contacto con su distribuidor Jenn-Air y solicite el accesorio 'DRYINGRACK' o llame al 1-800-JENNAIR.
- La mayoría de las frutas y vegetales se secan bien y retienen su color cuando son secadas a 60° C (140° F). La carne fresca y el charqui deben secarse a 63°- 65° C (145° - 150° F). Para sabor óptimo, seque las hierbas a 38° C (100° F), sin embargo, a esta temperatura más baja se esperan tiempos de secado más prolongados, de hasta 8 horas.
- La duración de los tiempos de secado varía debido a lo siguiente: contenido de agua y azúcar del alimento, tamaño de los pedazos de alimento, cantidad de alimento que está siendo secado, humedad del aire.
- Verifique los alimentos cuando haya pasado el tiempo mínimo de secado. Continúe secando si es necesario.
- Las frutas que adquieren un color café cuando son expuestas al aire deben ser tratadas con un antioxidante. Trate uno de los siguientes métodos:
  1. Sumerja la fruta en una mezcla de dos partes de jugo de limón embotellado y una parte de agua fría.
  2. Sumerja la fruta en una solución de una cucharadita de ácido ascórbico o antioxidante comercial y 1 cuarto de galón de agua fría.
- Los alimentos pueden gotear durante el proceso de secado. Después de secar alimentos que son ácidos o azucarados, limpie la parte inferior del horno con agua y jabón. El acabado de porcelana del horno puede descolorarse si los derrames ácidos o azucarados no son limpiados antes de colocar una temperatura alta o de un ciclo de autolimpieza.
- Se puede secar más de una parrilla a un mismo tiempo. Sin embargo, es necesario prolongar el tiempo de secado adicional.
- Consulte otros recursos en su biblioteca local o llame al Servicio del Condado Local para información adicional.

# COCINANDO EN EL HORNO

## Guía de Secado (modelos selectos)

FRUTAS	LAS MEJORES VARIETADES PARA SECAR	PREPARACION	TIEMPO APPROX. A 60° C (140°F) **	PRUEBA PARA GRADO DE SECADO AL TIEMPO MINIMO
<b>Manzanas*</b>	Varietades Firmes: 'Graven Stein', 'Granny Smith', 'Jonathan', 'Winesap', 'Rome Beauty', 'Newton'.	Lavar, pelar si se desea, sacar las semillas y cortar en rebanadas de 3 mm (1/8").	4 a 8 horas	Blandas a crujientes. Las manzanas secas se guardan mejor cuando están ligeramente crujientes.
<b>Damascos*</b>	Los más comunes son 'Blenheim/Royal'. 'Tilton' también son buenos.	Lavar, cortar en mitades y sacar los huesos.	18 a 24 horas	Suaves y blandos.
<b>Plátanos*</b>	Varietades firmes.	Pelar y cortar en rebanadas de 6 mm (1/4").	17-24 horas	Blandas a crujientes.
<b>Cerezas</b>	'Lambert', 'Royal Ann', 'Napoleon', 'Van' o 'Bing'.	Lavar y sacar los tallos. Cortar en mitades y sacar los huesos.	18 a 24 horas	Blandas y curtidas.
<b>Nectarinas y Duraznos*</b>	Las variedades 'Freestone'.	Cortar en mitad y sacar los huesos. Pelar es opcional pero los resultados son frutas secas de mejor apariencia.	24 a 36 horas	Blandos y curtidos.
<b>Peras*</b>	'Barlett'	Pelar, cortar en mitades y sacar huesos.	24 a 36 horas	Suaves y blandas.
<b>Piña</b>	Fresca o envasada.	Lavar, pelar y sacar las espinas. Cortar en rebanadas a lo largo y sacar el hueso pequeño. Cortar horizontalmente en rebanadas de 13 mm (1/2").	Envasada: 14 a 18 horas Fresca: 12 a 16 horas	Suave y blanda.
<b>Naranja y Limón - Cáscara</b>	Seleccione fruta de piel áspera. No seque la cáscara de la fruta que esté marcada "se agregó color".	Lavar bien. Pelar la cáscara exterior delgada más o menos de 1,5 a 3 mm (1/16 a 1/8"). No use la piel blanca que está debajo de la cáscara.	1 a 2 horas	Duras a quebradizas.
<b>VERDURAS</b>				
<b>Tomates</b>	'Plum' y 'Roma'.	Cortar en mitades, sacar las semillas. Colocar los tomates con el lado de la piel hacia arriba en la rejilla. Agujerear la piel.	12 a 18 horas	Duros a crujientes.
<b>Zanahorias</b>	'Danvers Half Long', 'Imperator', 'Red Cored Chantenay'	No use zanahorias que tengan fibras o núcleo duro. Lave, corte las puntas y pele si se desea. Corte transversalmente o diagonalmente en rebanadas de 6 mm (1/4"). Cocínelas al vapor por 3 minutos.	4 a 8 horas	Duras a quebradizas.
<b>Pimientos Picantes</b>	Chile ancho, 'Anaheim'.	Lavar, cortar y quitar la semilla. Agujerear la piel varias veces.	4 a 6 horas	Las vainas deben parecer marchitas, de color rojo oscuro y crujientes.
<b>HIERBAS</b>				
<b>Perejil, Menta, Cilantro, Salvia, Orégano</b>		Enjuagar en agua fría. Secar con una toalla de papel. Dejar los tallos hasta que las hojas estén secas, después descartarlos.	1 a 3 horas	Quebradizos y migajosos.
<b>Albahaca</b>		Cortar hojas de 8 a 10 cm (3 a 4") desde la parte superior de la planta justo hasta donde aparecen los botones. Enjuagar las hojas en agua fría.	2 a 5 horas	Quebradizos y migajosos.

\* Frutas que requieren un antioxidante para evitar la decoloración y pérdida de nutrientes. Consulte las notas en la página 80 para métodos específicos.

\*\* El ajuste de apagado automático del horno después de 12 horas no se activará durante las funciones de secado.

# COCINANDO EN EL HORNO

## ‘Proofing’ (Esponjamiento de Masa) (modelos selectos)

Use la característica de esponjamiento para fermentar la masa de pan a base de levadura antes del horneado. El esponjamiento en el horno protege la masa contra los cambios de temperatura y las corrientes que comúnmente afectan los resultados del esponjamiento.

1. Oprima la tecla ‘Proofing’.
  - ‘PROOF’ destella en el indicador visual.
  - ‘SET’ destella en el indicador visual.
2. Oprima la tecla ‘Autoset 0’.
  - ‘Proof’ se iluminará en el indicador visual.
3. Cuando se ha completado el esponjamiento, oprima la tecla ‘CANCEL’.

Proofing

CANCEL

## Cierre Automático/Modo Sabático

El horno se apagará automáticamente después de 12 horas si usted lo deja accidentalmente encendido. Esta característica de seguridad puede ser desactivada.

### Para cancelar el cierre automático de 12 horas y dejar que el horno funcione continuamente durante 72 horas:

1. Oprima y mantenga oprimida la tecla ‘Clock’ durante cinco segundos.
  - ‘SAb’ se desplegará y destellará durante cinco segundos.
  - ‘SAb’ se desplegará continuamente hasta que se desactive o hasta que transcurra el límite de 72 horas.
  - ‘BAKE’ también se desplegará si se está usando un ciclo de horneado cuando el horno está en Modo Sabático.
  - Todas las otras funciones EXCEPTO ‘BAKE’ (‘Timer’, ‘Keep Warm’, ‘Clean’, etc.) están bloqueadas durante el Modo Sabático.
  - Se puede programar ‘Cook & Hold’ durante el Modo Sabático, sin embargo no se puede programar ‘Delay Cook & Hold’.

Clock

### Para cancelar el Modo Sabático:

1. Oprima la tecla ‘CLOCK’ durante cinco segundos.
  - ‘SAb’ destellará durante cinco segundos.
  - La hora del día reaparecerá en el indicador visual.
2. Después de 72 horas, el Modo Sabático terminará.
  - ‘SAb’ destellará durante cinco segundos.
  - La hora del día reaparecerá en el indicador visual.

Clock

### Notas Sobre el Modo Sabático:

- El Modo Sabático puede ser activado en cualquier momento, esté o no el horno encendido.
- El Modo Sabático no se puede activar si las teclas están bloqueadas o cuando la puerta está bloqueada.
- La mayoría de los mensajes y todas las señales sonoras están desactivadas cuando el Modo Sabático está activo.
- Si el horno está horneando cuando el Modo Sabático es programado, ‘BAKE’ se apagará cuando se cancele el horneado. No se emitirán señales sonoras.
- Mientras el horno esté en Modo Sabático la luz del horno se encenderá automáticamente cuando se abra la puerta. Si se desea la luz del horno durante el Modo Sabático, ésta debe ser encendida antes de que comience el Modo Sabático.
- Cuando comienza el Modo Sabático, la temperatura que se despliega será la temperatura programada en vez de la temperatura real de la cavidad del horno. No se emitirá la señal sonora de precalentamiento.
- El ciclo de autolimpieza y bloqueo automático de la puerta no funcionará durante el Modo Sabático.
- Si oprime la tecla ‘CANCEL’ se cancelará un ciclo ‘Bake’, sin embargo el control permanecerá en Modo Sabático.
- Si falla la corriente eléctrica, cuando vuelva la energía el horno se activará en Modo Sabático con 72 horas restantes y ningún ciclo activo.

# COCINANDO EN EL HORNO

## Ajuste de la temperatura del horno

La exactitud de las temperaturas del horno es cuidadosamente probada en la fábrica. Es normal notar alguna diferencia entre la temperatura de horneado o en el dorado, entre un horno nuevo y un horno antiguo. A medida que el horno se usa, la temperatura del horno puede cambiar.

Usted puede ajustar la temperatura del horno, si considera que su horno no está horneando o dorando en forma correcta. Para decidir cuanto debe cambiar la temperatura, programe la temperatura del horno a 15° C (25° F) más alta o más baja que la temperatura indicada en sus recetas, luego hornee. Los resultados de la "prueba" pueden darle una idea de cuanto debe ajustar la temperatura.

### Para ajustar la temperatura del horno:

Bake

1. Oprima la tecla 'Bake'.
2. Programe 285° C (550° F) oprimiendo las teclas numéricas apropiadas.
3. Oprima y mantenga oprimida la tecla 'Bake' durante varios segundos o hasta que 00° aparezca en el indicador visual.

Si la temperatura del horno ha sido previamente ajustada, el cambio aparecerá en el indicador visual. Por ejemplo, si la temperatura del horno fue reducida en 8° C (15° F) el indicador mostrará "- 8°" (" -15°").

4. Oprima la tecla 'Autoset 0' para ajustar la temperatura.

Cada vez que se oprima la tecla 'Autoset 0', la temperatura cambia en 3° C (5° F). La temperatura del horno puede ser aumentada o disminuida en 3° a 20° C (5° a 35° F).

Si oprime la tecla 'Autoset 0' (Autoajuste 0), la temperatura del horno pasará por un ciclo de aumento de temperatura (5, 10 . . . 35). Si continúa oprimiendo la tecla 'Autoset 0' (Autoajuste 0), la temperatura del horno pasará por un ciclo de descenso de temperatura (-35, -30 . . . -5).

5. La hora del día reaparecerá automáticamente en el indicador visual.

No necesita reajustar la temperatura del horno si hay una falla o interrupción de energía eléctrica. El ajuste de la temperatura es válido para 'Bake', 'Convect Bake' y 'Convect Roast' (modelos selectos) solamente. Las temperaturas de asar a la parrilla y de limpieza no pueden ser ajustadas.

## Cambio de la temperatura de °F/°C

1. El ajuste de fábrica de la medida de temperatura es Fahrenheit.
2. Para cambiar el ajuste, oprima y mantenga oprimidas las teclas 'CANCEL' (Anular) y 'Bake' (Hornear) al mismo tiempo durante tres segundos.
3. Escuchará una señal sonora y el ajuste actual (°F o °C) se desplegará en la pantalla. (Si no se realiza ningún cambio, la estufa regresará al ajuste actual después de 30 segundos).

4. Para cambiar el ajuste, oprima la tecla 'Autoset 0' (Autoajuste 0). Oprímalas nuevamente para regresar al ajuste anterior. Espere cinco segundos y el ajuste se guardará.

## 'Favorite' (Favorito)

La tecla 'Favorite' le permite guardar en memoria el tiempo y la temperatura de un ciclo 'Cook & Hold'.

Para programar un ciclo favorito, debe estar activa o recientemente programada una función de 'Cook & Hold'.

### Para programar un nuevo ciclo Favorito o para guardar como Favorito un ciclo 'Cook & Hold' que esté en progreso:

1. Programe un ciclo de 'Cook & Hold' como se describe en la sección 'Cook & Hold' en la página 77.

2. Oprima y mantenga oprimida la tecla 'Favorite' durante tres segundos.

Favorite

- El ciclo 'Cook & Hold' recientemente programado o en progreso será guardado en memoria.
- Se oír una señal sonora para indicar que el control ha aceptado el ajuste 'Favorite'.

### Para comenzar un ciclo programado como Favorito:

1. Oprima la tecla 'Favorite'.

- Se desplegará el tiempo y la temperatura para el ciclo 'Cook & Hold' programado (si no hay ciclo 'Cook & Hold' programado, en el indicador visual se desplegará 'nonE'.)

2. Oprima la tecla 'Bake', 'Convect Bake' o 'Convect Roast' (modelos selectos).

- El ciclo favorito comenzará inmediatamente.
- El nombre del ciclo seleccionado se se iluminará en el indicador visual.
- El tiempo de cocción se iluminará en el indicador visual.

### Cuando ha expirado el tiempo de cocción:

- El nombre del ciclo seleccionado se se apagará.
- Se iluminarán 'HOLD' y 'WARM'.
- En el indicador se desplegará '75°' ('170°').

### Para cancelar un ciclo favorito en progreso:

1. Oprima la tecla 'CANCEL'.

CANCEL

- El ciclo favorito guardado en memoria no será afectado.

2. Retire el alimento del horno.

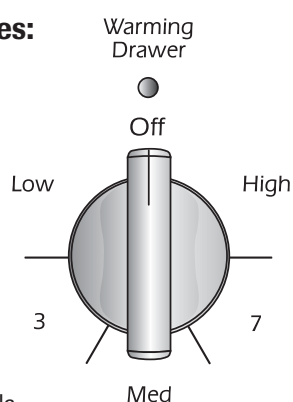
# COCINANDO EN EL HORNO

## Gaveta Calentadora

La gaveta calentadora se usa para mantener los alimentos calientes a una temperatura de servir. También puede usarse para calentar panes y pastelitos.

### Funcionamiento de los controles:

1. Si está usando la parrilla, colóquela donde sea necesario.
2. Oprima y gire la perilla de control al ajuste deseado.
3. Deje que la gaveta se precaliente durante diez minutos.
4. Coloque el alimento en la gaveta calentadora.
5. Cuando termine, gire la perilla a la posición **'OFF'**. Retire el alimento de la gaveta calentadora.



### Notas sobre la gaveta calentadora:

- No caliente los alimentos durante más de una hora (los huevos 30 minutos) después de cocinarlos.
- Los alimentos deben estar a la temperatura de servir antes de ser colocados en la gaveta.
- Los panes, pastelitos y pays de frutas pueden ser calentados cuando están a temperatura ambiente en el ajuste **'High'** (Alto).
- Use solamente utensilios resistentes al horno.
- Retire los alimentos de las bolsas plásticas y colóquelos en utensilios resistentes al horno.
- Los platos de servir y los platos de comida pueden calentarse cuando se está precalentando la gaveta.
- Cubra los alimentos con una tapa o con papel de aluminio. No use envoltura plástica. (Los alimentos fritos no necesitan ser tapados.)

### Tabla de calentamiento

AJUSTES SUGERIDOS		
Ajuste	Tipo de Alimento	
<b>Med - High</b> (Med. - Alto)	Tocino	Carne de vacuno - a medio cocer
	Cacerolas	Cereales cocinados
	Plato de servir	Huevos
	Enchiladas	Pescado/mariscos
	Alimento frito	Salsas, salsas de crema
	Jamón	Hamburguesas
	Canapés	Cordero
	Panqueques	Pizza
	Cerdo	Papas - asadas
	Papas - Puré	Carne de ave
	Verduras	Gofres
	<b>Low - Med</b> (Bajo - Med.)	Galletas
Pays		Calentar - Platos

# COCINANDO EN EL HORNO

## Ventilador del horno

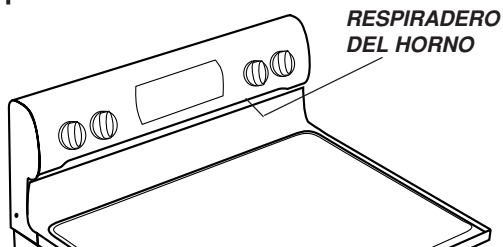
Se usa un ventilador de convección para circular el aire caliente en el horno cuando se selecciona la opción de convección.

**Nota:** El ventilador de convección se apagará automáticamente cada vez que se abra la puerta del horno.

## Respiradero del Horno

Cuando el horno está en uso, el área cerca del respiradero puede calentarse lo suficiente como para causar quemaduras. Nunca bloquee la abertura del respiradero.

**El respiradero del horno se encuentra debajo del respaldo protector de su estufa.**



No coloque plásticos cerca de la abertura del respiradero pues el calor que sale puede deformar o derretir el plástico.

## Parrillas del Horno

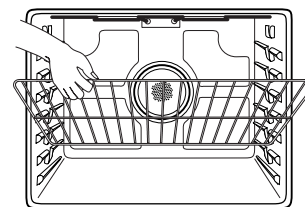
### ! PRECAUCIÓN

- No intente cambiar la posición de las parrillas cuando el horno esté caliente.
- No use el horno para guardar alimentos ni utensilios.

El horno tiene dos parrillas (tres si es horno de convección). Todas las parrillas tienen un borde con tope de enganche.

#### Para retirar la parrilla:

1. Tire de la parrilla derecho hacia afuera hasta que se detenga en la posición del tope de enganche.
2. Levante el frente de la parrilla y tire de la parrilla hacia afuera.



#### Para reinstalar la parrilla:

1. Coloque la parrilla en el soporte de la parrilla en el horno.
2. Inclínele levemente hacia arriba el extremo delantero; deslice la parrilla hacia atrás hasta que pase sobre los topes de enganche.
3. Baje el frente de la parrilla y deslícela hacia adentro del horno.

**Nunca cubra una parrilla completa con papel de aluminio ni coloque papel de aluminio en el panel inferior del horno. Se afectarán los resultados del horneado y se puede dañar el panel inferior del horno.**

## 'Oven Light' (Luz del Horno)

La luz del horno se enciende automáticamente siempre que se abre la puerta del horno. Cuando se cierra la puerta, oprima la tecla 'Oven Light' para encender o apagar la luz del horno. Se escuchará una señal sonora cada vez que se oprima la tecla 'Oven Light'.

Oven Light

## Panel Inferior del Horno

Proteja el panel inferior del horno contra derrames, especialmente azucarados o ácidos, pues pueden descolorar la porcelana esmaltada. Use el utensilio de tamaño correcto a fin de evitar derrames. **No coloque utensilios ni papel de aluminio directamente en la parte inferior del horno.**

## Posiciones de la Parrilla

**PARRILLA 7** (la posición más alta): Para tostar pan o asar a la parrilla alimentos delgados, no grasosos.

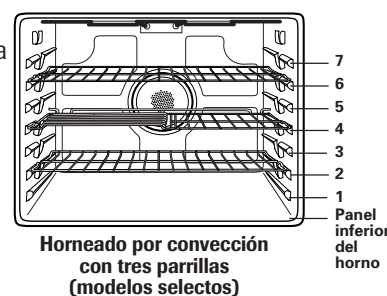
**PARRILLA 6:** Se usa para la mayoría de los asados a la parrilla.

**PARRILLA 5:** Para horneado con parrillas múltiples.

**PARRILLA 4:** Se usa para hornear la mayoría de los alimentos en una bandeja de hornear galletas o un molde para rollo de mermelada, pays de frutas o alimentos congelados de preparación rápida. También se puede usar para asar presas de pollo a la parrilla.

**PARRILLA 3:** Para cacerolas, horneado de pan, tortas en moldes de tubo o pays de natilla.

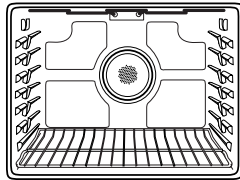
**PARRILLA 2:** Se usa para asar trozos pequeños de carne, pays congelados, suflés de postre o pasteles esponjosos y horneado con dos parrillas. También se usa para horneado con parrillas múltiples.



# COCINANDO EN EL HORNO

**PARRILLA 1:** Se usa para asar trozos grandes de carne y carne de ave.

**Panel Inferior del Horno:** Coloque la parrilla del horno en los lados levantados del panel inferior del horno. Use para disponer de espacio adicional cuando cocine comidas grandes en el horno.



**HORNEADO CON PARRILLAS MÚLTIPLES: Dos parrillas:** Use la posición 2 y 5.

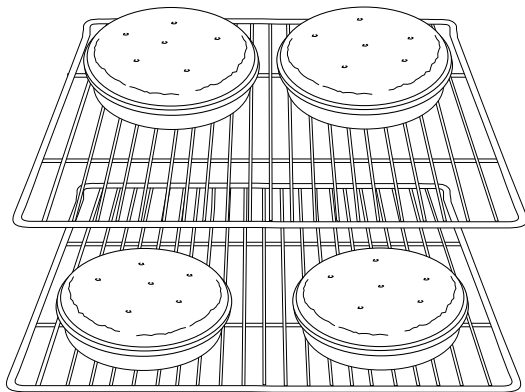
**Tres parrillas (convección solamente):** Use las posiciones 2, 4 y 6 (ver ilustración).

**Nota:** Cuando se hornea por convección con dos o tres parrillas (modelos selectos), revise los alimentos en el tiempo mínimo sugerido para evitar que queden demasiado dorados o demasiado cocinados.

## Horneado de Pasteles de Capas en Dos Parrillas

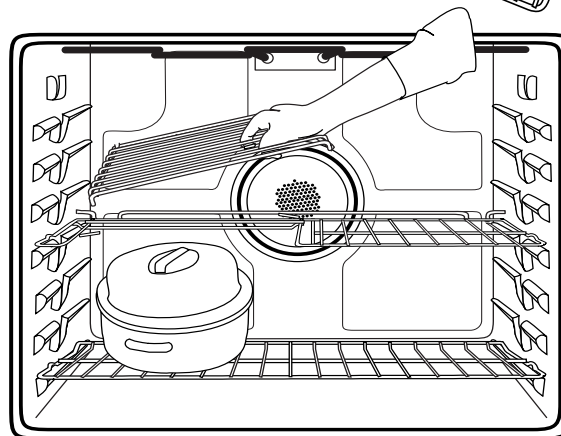
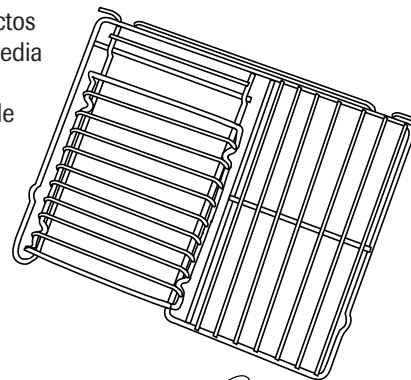
Para obtener mejores resultados cuando hornea pasteles en dos parrillas, use la posición 2 y 4 para horneado regular y la posición 2 y 5 para horneado por convección (modelos selectos).

Coloque los pasteles en las parrillas como se muestra.



## Media Parrilla Create-A-Space<sup>MR</sup>

Los modelos de estufa selectos están equipados con una media parrilla convertible. El lado izquierdo de la parrilla puede ser retirado para acomodar una asadera más grande en la parrilla inferior. El lado derecho de la parrilla todavía se puede dejar para colocar una cacerola.



### Notas:

- La porción removible puede ser usada como una parrilla de asar en la asadera de asar a la parrilla. No use el inserto superior de la asadera cuando use la porción removible de la parrilla en la asadera.
- La porción removible de la parrilla puede ser usada como una parrilla de enfriamiento o como un salvamanteles.
- Asegúrese de que el horno esté frío antes de retirar o reinstalar la media parrilla.
- No use utensilios que se extiendan más allá del borde de la parrilla.
- Para mejores resultados, deje dos pulgadas entre el utensilio colocado en la parrilla y la pared lateral del horno.
- Tenga cuidado cuando retire artículos que estén en la media parrilla para evitar quemaduras.
- Saque con cuidado los alimentos de la parrilla inferior para evitar mover la media parrilla.

# CUIDADO Y LIMPIEZA

## Horno Autolimpiante

### ! PRECAUCIÓN

- Es normal que las piezas del horno se calienten durante el ciclo de autolimpieza.
- Para evitar daño a la puerta, no intente abrirla cuando la palabra 'LOCK' esté desplegada en el indicador visual.
- Evite tocar la puerta, la ventana o el área del respiradero del horno durante un ciclo de limpieza.
- No use limpiadores de hornos comerciales en el acabado del horno ni alrededor de ninguna pieza del horno pues puede dañar el acabado o las piezas.

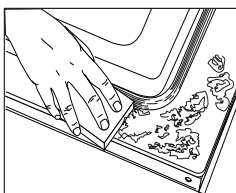
El ciclo de autolimpieza usa temperaturas de cocción superiores a las normales para limpiar automáticamente todo el interior del horno.

Es normal que ocurran llamaradas, humo o llamas durante la limpieza si el horno está demasiado sucio. Es mejor limpiar el horno regularmente en vez de esperar hasta que se haya acumulado demasiada suciedad.

Durante el proceso de limpieza, la cocina debe estar bien ventilada para eliminar los olores normales asociados con la limpieza.

### Antes de la Autolimpieza

1. Apague la luz del horno antes de la limpieza. La luz del horno puede fundirse durante el ciclo de limpieza.
2. Retire la asadera, todos los utensilios y las parrillas del horno. Las parrillas del horno se descolorarán y no se deslizarán fácilmente después de un ciclo de autolimpieza si no son retiradas del horno.
3. Limpie el marco del horno, el marco de la puerta, el área fuera de la junta de la puerta y alrededor de la abertura en la junta de la puerta, con un agente de limpieza no abrasivo tal como 'Bon Ami'\* o con detergente y agua. El proceso de autolimpieza no limpia estas áreas. Ellas deben ser limpiadas para evitar que la suciedad se hornee durante el ciclo de autolimpieza. (La junta es el sello alrededor de la puerta y ventana del horno.)
4. Para evitar daño no limpie ni frote la junta situada alrededor de la puerta del horno. La junta está diseñada para sellar herméticamente el calor durante el ciclo de limpieza.
5. Limpie el exceso de grasa o derrames de la parte inferior del horno. Esto evita humo excesivo o llamaradas durante el ciclo de limpieza.
6. Limpie los derrames azucarados o ácidos tales como papa dulce (camote), tomates o salsas a base de leche. La porcelana esmaltada es resistente al ácido pero no a prueba de ácidos. El acabado de porcelana puede descolorarse si los derrames ácidos o azucarados no son limpiados antes de un ciclo de autolimpieza.



### Para programar 'Self-Clean' (Autolimpieza):

**Nota:** La temperatura del horno debe ser inferior a 205° C (400° F) para programar un ciclo de limpieza.

1. Cierre la puerta del horno.
2. Oprima la tecla 'Clean'.
  - 'CLEAN' destella en el indicador visual.
3. Oprima la tecla 'Autoset 0'.
  - 'SET' destella en el indicador visual.
4. Oprima la tecla 'Autoset 0' para desplegar los ajustes de autolimpieza.
  - 'HVy' (Suciedad intensa, 4 horas)
  - 'MEd' (Suciedad mediana, 3 horas)
  - 'LITE' (Suciedad leve, 2 horas)Al seleccionar el nivel de suciedad del horno se programa automáticamente el tiempo de limpieza.
5. Después de cuatro segundos, el horno comenzará a limpiar.
  - Si la puerta no se cierra, se oirá una señal sonora y la palabra 'door' se desplegará en el indicador visual. Si la puerta no es cerrada dentro de 30 segundos, la operación de autolimpieza será cancelada y el indicador volverá a desplegar la hora del día.
  - 'CLEAN' aparecerá en el indicador visual.
  - 'LOCK' destellará en el indicador visual. Una vez que la puerta se bloquea, la palabra 'LOCK' permanecerá iluminada sin destellar.
  - El tiempo de limpieza comenzará la cuenta regresiva en el indicador.

### Para diferir un ciclo de autolimpieza:

1. Oprima la tecla 'Delay 1'.
  - 'DELAY' destella.
  - '00:00' destellará en el indicador visual.
2. Programe la cantidad de tiempo que usted desea diferir el ciclo usando las teclas numéricas apropiadas.
3. Oprima la tecla 'Clean'.
  - 'SET' destella en el indicador visual.
4. Oprima la tecla 'Autoset 0'.
  - Se despliega 'LITE' (nivel de suciedad leve).

\*Los nombres de los productos son marcas registradas de sus respectivos fabricantes.

# CUIDADO Y LIMPIEZA

5. Oprima la tecla 'Autoset 0' para desplegar los ajustes de autolimpieza.

'HVy' (Suciedad intensa, 4 horas)

'MEd' (Suciedad mediana, 3 horas)

'LITE' (Suciedad leve, 2 horas)

Al seleccionar el nivel de suciedad del horno se programa automáticamente el tiempo de limpieza.

6. Después de cuatro segundos, las palabras 'CLEAN' y 'DELAY' se iluminarán y 'LOCK' destellará en el indicador visual. Cuando la puerta del horno se cierra, 'LOCK' dejará de destellar y se iluminará permanente para mostrar que el horno está programado para una operación de limpieza diferida. En el indicador aparecerá el tiempo diferido.



## Durante el ciclo de autolimpieza

Cuando aparece 'LOCK' en el indicador, la puerta no se puede abrir. Para evitar daño a la puerta, no fuerce la puerta para abrirla cuando la palabra 'LOCK' está desplegada en el indicador visual.

### Humo y Olores

Usted puede ver humo y sentir olor las primeras veces que el horno es limpiado. Esto es normal y disminuirá con el tiempo.

También puede ocurrir humo si el horno está demasiado sucio o si se ha dejado una asadera en el horno.

### Sonidos

A medida que el horno se calienta, usted puede oír sonidos de piezas metálicas que se expanden y contraen. Esto es normal y no dañará el horno.



## Después del ciclo de autolimpieza

Aproximadamente una hora después del fin del ciclo de limpieza, 'LOCK' desaparecerá. La puerta ahora puede ser abierta.

**Alguna suciedad puede quedar como una leve ceniza gris tipo polvo.** Retírela con un paño húmedo. Si la suciedad permanece después de limpiarla, significa que el ciclo de limpieza no fue lo suficientemente largo. La suciedad será eliminada durante el próximo ciclo de limpieza.

**Si las parrillas del horno fueron dejadas en el horno y no se deslizan suavemente después de un ciclo de limpieza,** limpie las parrillas y los soportes de las parrillas con una pequeña cantidad de aceite vegetal para hacerlas deslizar con más facilidad.

**Pueden aparecer líneas delgadas en la porcelana al pasar por ciclos de calentamiento y enfriamiento.** Esto es normal y no afectará el rendimiento.

**Una descoloración blanca puede aparecer después del ciclo de limpieza si los alimentos ácidos o azucarados no fueron limpiados antes del ciclo de autolimpieza.** Esta descoloración es normal y no afectará el rendimiento.

### Notas:

- Si se deja abierta la puerta del horno, la palabra 'door' destellará en el indicador visual y se escuchará una señal sonora hasta que la puerta sea cerrada y la tecla 'Clean' sea oprimida nuevamente.
- Si transcurren más de cinco segundos después de oprimir la tecla 'Clean' y antes de oprimir la tecla 'Autoset 0', el programa volverá automáticamente al despliegue previo.
- La puerta del horno se dañará si se fuerza para abrirla cuando la palabra 'LOCK' continúa desplegada en el indicador.

# CUIDADO Y LIMPIEZA

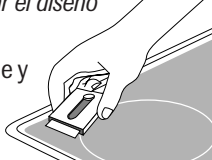
## Procedimientos de Limpieza

### ⚠ PRECAUCIÓN

- Asegúrese de que el horno esté apagado y que todas las piezas estén frías antes de tocarlo o limpiarlo. De este modo se evitará daño y posibles quemaduras.
- Para evitar manchas o decoloración limpie el horno después de cada uso.
- Si se retira alguna pieza, asegúrese de que sea reinstalada en forma correcta.

\*Los nombres de los productos son marcas registradas de sus respectivos fabricantes.

\*\* Para hacer pedidos, llame al 1-800-JENNAIR (1-800-536-6247).

PIEZA	PROCEDIMIENTO DE LIMPIEZA
<b>Protector trasero y cubierta - porcelana esmaltada</b>	<p>La porcelana esmaltada es vidrio fundido en metal y puede agrietarse o picarse si no se usa correctamente. Es resistente a los ácidos, no a prueba de ácidos. Todos los derrames, especialmente los derrames azucarados o acídicos deben ser limpiados inmediatamente con un paño seco.</p> <ul style="list-style-type: none"> <li>• Cuando se enfríe, lave con agua jabonosa, enjuague y seque.</li> <li>• Nunca limpie una superficie tibia o caliente con un paño húmedo. Esto puede causar agrietamiento o picaduras.</li> <li>• Nunca use limpiadores de horno, agentes de limpieza abrasivos o cáusticos en el acabado exterior de la estufa.</li> </ul>
<b>Asadera e Inserto</b>	<p><b>Nunca cubra el inserto con papel de aluminio pues esto evita que la grasa se escurra a la bandeja inferior.</b></p> <ul style="list-style-type: none"> <li>• Coloque un paño enjabonado sobre el inserto y la bandeja; deje remojar para soltar la suciedad.</li> <li>• Lave en agua jabonosa tibia. Use una esponja de fregar para quitar la suciedad persistente.</li> <li>• La bandeja de asar y el inserto pueden ser lavados en el lavavajillas.</li> </ul>
<b>Area del Reloj y de las Teclas de Control</b>	<ul style="list-style-type: none"> <li>• Para activar 'Control Lock' (Bloqueo de los controles) para la limpieza, ver página 74.</li> <li>• Limpie con un paño húmedo y secar. No use agentes de limpieza abrasivos pues pueden rayar la superficie.</li> <li>• Se puede usar limpiavidrios si se rocían en el paño primero. <b>NO rocíe directamente en el panel.</b></li> </ul>
<b>Perillas de Control</b>	<ul style="list-style-type: none"> <li>• Retire las perillas cuando estén en la posición 'OFF' tirándolas hacia adelante.</li> <li>• Lave, enjuague y seque. No use agentes de limpieza abrasivos pues pueden rayar el acabado.</li> <li>• Encienda cada quemador para asegurarse de que las perillas han sido correctamente reinstaladas.</li> </ul>
<b>Cubierta - Vidrio Cerámico</b>	<p><b>Nunca use limpiadores de horno, blanqueador con cloro, amoníaco o limpiadores de vidrio que contenga amoníaco.</b>  <b>NOTA: Llame a un reparador autorizado si la cubierta de vidrio cerámico se agrieta, quiebra o el papel de aluminio se derrite sobre la cubierta.</b></p> <ul style="list-style-type: none"> <li>• Deje que la cubierta se enfríe antes de limpiarla.</li> <li>• <b>Generalidades</b> - Limpie la cubierta después de cada uso o cuando sea necesario con una toalla de papel húmeda y con 'Cooktop Cleaning Creme' (Crema de Limpieza para Cubiertas) (Pieza No. 20000001)**. Lustre con un paño limpio y seco.</li> </ul> <p><b>NOTA: Se desarrollarán manchas permanentes si la suciedad se deja que se cocine una y otra vez usando la cubierta cuando esté sucia.</b></p> <ul style="list-style-type: none"> <li>• <b>Manchas Rebeldes o Marcas de Metal</b> - Humedezca una esponja de goma que no deje marcas o que no raye. Aplique 'Cooktop Cleaning Cream' (Crema de Limpieza para Cubiertas) (pieza no. 20000001)** y frote para sacar tanta suciedad como sea posible. Aplique una capa delgada de crema sobre la suciedad, cubra con una toalla de papel húmeda y déjela reposar durante 30 a 45 minutos (2 - 3 horas para mucha suciedad). Mantenga húmedo cubriendo la toalla de papel con envoltura de plástico. Restriegue nuevamente, luego limpie con un paño seco y limpio.</li> </ul> <p><b>NOTA: Solamente use esponjas LIMPIAS, HUMEDAS y que no rayen y que sean seguras para utensilios con acabado antiadherente. Se dañará el diseño y el vidrio si la esponja no está mojada, si la esponja está sucia o se usa otro tipo de esponja.</b></p> <ul style="list-style-type: none"> <li>• <b>Suciedades Quemadas o Pegadas</b> - Restriegue con una esponja que no deje marcas y 'Cooktop Cleaning Creme'* (Crema de Limpieza para Cubiertas).</li> </ul> <p><b>NOTA: Sostenga un restregador con hoja de afeitar a un ángulo de 30° y restriegue cualquier suciedad que permanezca. Luego limpie como se describió anteriormente. No use la hoja de afeitar para limpieza diaria pues puede desgastar el diseño del vidrio.</b></p> <ul style="list-style-type: none"> <li>• <b>Plástico o Azúcar Derretida</b> - Inmediatamente encienda el elemento a temperatura BAJA y restriegue y raspe el azúcar o el plástico de la superficie caliente hacia un área fría. Luego APAGUE el elemento y deje que se enfríe. Limpie el residuo con un raspador con hoja de afeitar y 'Cooktop Cleaning Creme'*.</li> </ul> 

# CUIDADO Y LIMPIEZA

PIEZA	PROCEDIMIENTO DE LIMPIEZA
<b>Ventana y Puerta del Horno - Vidrio</b>	<ul style="list-style-type: none"> <li>Evite usar cantidades excesivas de agua pues puede escurrirse debajo o detrás del vidrio causando manchas.</li> <li>Lave con agua y jabón. Enjuague con agua limpia y seque. El limpiador de vidrio puede usarse si se rocía en un paño primero.</li> <li>No use materiales abrasivos tales como esponjas de restregar, limpiadores en polvo o esponjas de lana de acero pues pueden rayar el vidrio.</li> </ul>
<b>Interior del Horno</b>	<ul style="list-style-type: none"> <li>Siga las instrucciones en las páginas 87-88 para programar un ciclo de autolimpieza.</li> </ul>
<b>Parrillas del Horno</b>	<ul style="list-style-type: none"> <li>Limpie con agua con jabón.</li> <li>Sacar las manchas difíciles con polvo de limpieza o una esponja llena con jabón. Enjuague y seque.</li> <li>Las parrillas se descolorarán permanentemente y pueden no deslizarse con suavidad si son dejadas en el horno durante un ciclo de autolimpieza. Si esto sucede, limpie la parrilla y los soportes en relieve con una pequeña cantidad de aceite vegetal para restaurar la facilidad de movimiento, luego limpie el exceso de aceite.</li> </ul>
<b>Acero Inoxidable (modelos selectos)</b>	<ul style="list-style-type: none"> <li><b>NO USE NINGUN PRODUCTO DE LIMPIEZA QUE CONTenga BLANQUEADOR A BASE DE CLORO.</b></li> <li><b>NO USE LIMPIADORES "ORANGE" NI LIMPIADORES ABRASIVOS.</b></li> <li><b>SIEMPRE LIMPIE LAS SUPERFICIES DE ACERO A FAVOR DEL GRANO.</b></li> <li><b>Limpieza Diaria/Suciedad Leve</b> - Limpie con uno de los siguientes - agua con jabón, una solución de vinagre blanco con agua, limpiador para superficies y vidrio 'Formula 409'* o un limpiavidrios similar - usando una esponja o un paño suave. Enjuague y seque. Para pulir y evitar marcas de los dedos, use el producto 'Stainless Steel Magic Spray'* (Pieza No. 20000008)**.</li> <li><b>Suciedad Moderada/Intensa</b> - Limpie con uno de los siguientes - 'Bon Ami*', 'Smart Cleanser'* o 'Soft Scrub'* - usando una esponja húmeda o un paño suave. Enjuague y seque. Las manchas difíciles pueden ser quitadas con una esponja multi-uso 'Scotch-Brite'* húmeda; frote a favor del grano. Enjuague y seque. Para restaurar el lustre y sacar las vetas, aplique 'Stainless Steel Magic Spray'*.</li> <li><b>Descoloración</b> - Use una esponja mojada o un paño suave, limpie con limpiador de acero 'Cameo Stainless Steel Cleaner'*. Enjuague inmediatamente y seque. Para eliminar las estrías y restaurar el lustre, use después rociador para acero inoxidable 'Stainless Steel Magic Spray'*.</li> </ul>
<b>Gaveta Calentadora, Manija de la Puerta, Paneles Laterales - Esmalte Pintado</b>	<ul style="list-style-type: none"> <li>Cuando esté fría, lave con agua tibia jabonosa, enjuague y seque. Nunca limpie una superficie tibia o caliente con un paño húmedo pues esto puede dañar la superficie y causar una quemadura a causa del vapor.</li> <li>Para manchas rebeldes, use agentes de limpieza levemente abrasivos tal como pasta de bicarbonato o 'Bon Ami*'. No use agentes de limpieza abrasivos, cáusticos o ásperos tal como esponjas de lana de acero o limpiadores de hornos. Estos productos pueden rayar o dañar permanentemente la superficie.</li> </ul> <p><b>NOTA: Use una toalla o un paño seco para limpiar los derrames, especialmente los derrames ácidos o azucarados. La superficie se puede descolorar o perder el brillo si el derrame no se limpia inmediatamente. Esto es especialmente importante en las superficies blancas.</b></p>

\*Los nombres de los productos son marcas registradas de sus respectivos fabricantes.

\*\* Para hacer pedidos, llame al 1-800-JENNAIR (1-800-536-6247).

# MANTENIMIENTO

## Puerta del Horno

### ! PRECAUCIÓN

No coloque peso excesivo ni se pare en la puerta del horno. Esto podría hacer volcar la estufa, quebrar la puerta o lesionar al usuario.

**Nota:** La puerta del horno en una estufa nueva puede sentirse "esponjosa" cuando se cierra. Esto es normal y disminuirá con el uso.

## Ventana del Horno

### Para proteger la ventana de la puerta del horno:

1. No use agentes de limpieza abrasivos tales como esponjas de restregar de lana de acero o limpiadores en polvo pues ellos pueden rayar el vidrio.
2. No golpee el vidrio con ollas, sartenes, muebles, juguetes u otros objetos.
3. No cierre la puerta del horno hasta que las parrillas del horno no estén en su lugar.

Al golpear, rayar, hacer vibrar o esforzar el vidrio puede debilitar su estructura causando un mayor riesgo de rotura en una fecha posterior.

## Tornillos Niveladores

### ! PRECAUCIÓN

Verifique si el soporte antivuelco está asegurando al piso uno de los tornillos niveladores traseros. Este soporte evita que la estufa se vuelque accidentalmente.

La estufa debe ser nivelada cuando se instala. Si la estufa no está nivelada, gire los tornillos niveladores de plástico ubicados en cada esquina de la estufa hasta que quede nivelada.



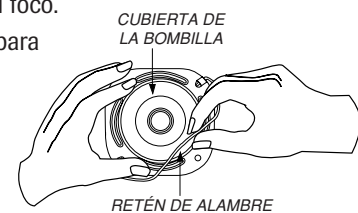
## Luz del Horno

### ! PRECAUCIÓN

- Desconecte la energía eléctrica hacia la estufa antes de reemplazar el foco.
- Deje que el horno se enfríe antes de reemplazar el foco.
- Asegúrese de que la cubierta del foco y el foco estén fríos antes de tocarlos.

### Para reemplazar el foco del horno:

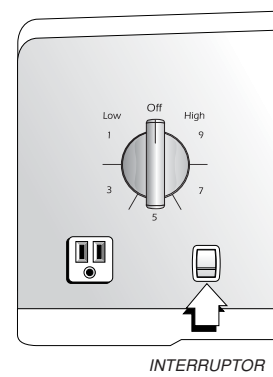
1. Cuando el horno esté frío, sujete la tapa de la bombilla en su lugar, luego deslice el retén de alambre fuera de la cubierta.  
**NOTA:** La cubierta de la bombilla se caerá si no es sujeta en su lugar cuando está sacando el retén de alambre.
2. Saque la cubierta del foco y el foco.
3. Coloque un foco de 40 watts para electrodomésticos.
4. Vuelva a colocar la cubierta de la bombilla y asegúrela con el retén de alambre.
5. Vuelva a enchufar la estufa. Vuelva a colocar la hora correcta.



## Tomacorriente para Electrodomésticos Pequeños (Modelos Canadienses solamente)

El tomacorriente para electrodomésticos pequeños está ubicado en el lado inferior izquierdo del protector trasero. Asegúrese de que los cordones eléctricos no descansen sobre los elementos superiores o cerca de ellos. Si el elemento superior está encendido, el cordón y el electrodoméstico pueden dañarse.

El disyuntor del tomacorriente para electrodomésticos pequeños puede dispararse si el artefacto pequeño enchufado en él es de más de 10 amps. Para reponer el disyuntor, oprima el interruptor situado en el borde inferior del protector trasero.



# MANTENIMIENTO

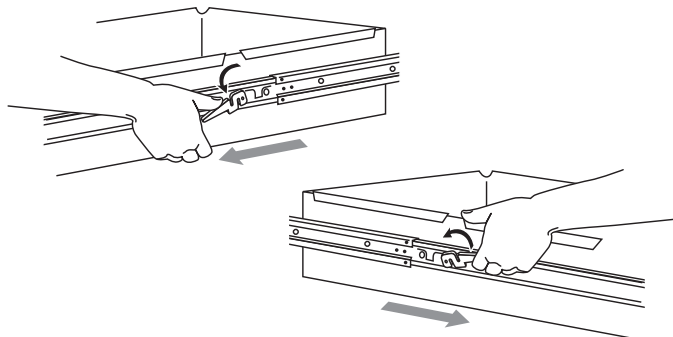
## Gaveta Calentadora

### ⚠ PRECAUCIÓN

- **NUNCA** guarde productos de plástico o de papel o materiales inflamables en esta gaveta. La gaveta puede calentarse demasiado para estos artículos cuando se está usando el horno o cuando se está precalentando la gaveta.
- A fin de evitar contacto con el elemento calefactor de la gaveta, abra completamente la gaveta para agregar o retirar alimento.
- Nunca use limpiadores de horno para limpiar la gaveta calentadora.

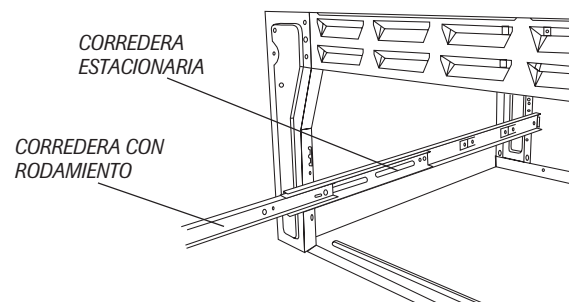
### Para retirar la gaveta calentadora:

1. Vacíe la gaveta y tire de ella hasta que esté completamente abierta.
2. Ubique la palanca triangular negra situada a cada lado de la gaveta.
3. Oprima la palanca hacia abajo en el lado derecho y levante simultáneamente la palanca en el lado izquierdo. Luego tire de la gaveta hacia afuera una pulgada más.
4. Tire cuidadosamente de la gaveta para sacarla completamente hacia afuera sujetando los lados, no el frente de la gaveta.



### Para reinstalar la gaveta calentadora:

1. Mueva las correderas con rodamientos hacia la parte delantera de la corredera estacionaria. (Ver ilustración siguiente.)
2. Alinee la corredera a cada lado de la gaveta con las ranuras de la corredera situada en la estufa.
3. Empuje la gaveta hacia dentro de la estufa hasta que las palancas hagan un chasquido (aproximadamente 5 cm [2"]). Abra de nuevo la gaveta para que las correderas con rodamientos entren en sus lugares. Si no escucha el chasquido de las palancas o no parece que la correderas con rodamientos estuviesen asentadas, retire la gaveta y repita desde el paso 1 al 3. Esto reducirá al mínimo posible daño a las correderas con rodamientos.



# LOCALIZACIÓN Y SOLUCIÓN DE AVERÍAS

PROBLEMA	SOLUCIÓN
Para la mayoría de los problemas, verifique primero lo siguiente.	<ul style="list-style-type: none"> <li>Revise si los controles del horno están debidamente ajustados.</li> <li>Verifique si el enchufe está firmemente insertado en el tomacorriente.</li> <li>Verifique o vuelva a reponer el disyuntor. Verifique o reemplace el fusible.</li> <li>Verifique el suministro de energía eléctrica.</li> </ul>
Toda la estufa o parte de ella no funciona.	<ul style="list-style-type: none"> <li>Revise si la superficie y/o los controles del horno están debidamente ajustados. Ver páginas 69 y 75.</li> <li>Verifique si la puerta del horno se ha desbloqueado después del ciclo de autolimpieza. Ver página 88.</li> <li>Revise si el horno está ajustado para horneado diferido o programa de limpieza. Ver páginas 78 y 87.</li> <li>Verifique si 'Control Lock' (Bloqueo de Control) está activado. Ver pág. 74.</li> <li>Verifique si el control está en Modo Sabático. Ver pág. 82.</li> </ul>
El reloj, las palabras en el indicador visual y/o las luces funcionan pero el horno no se calienta.	<ul style="list-style-type: none"> <li>El horno puede estar programado para una función de 'Cook &amp; Hold' o una función diferida.</li> <li>Puede estar activada la característica de bloqueo de los controles del horno. (Ver pág. 74.)</li> </ul>
Los resultados del horneado no son como se esperaban o son diferentes a los del horno anterior.	<ul style="list-style-type: none"> <li>Asegúrese de que el respiradero del horno no esté bloqueado. Ver página 85 para la ubicación.</li> <li>Verifique para asegurarse de que la estufa está nivelada.</li> <li>Las temperaturas a menudo varían entre un horno nuevo y uno antiguo. A medida que pasa el tiempo, la temperatura del horno cambia y puede hacerse más caliente o más fría. Ver página 83 para las instrucciones como ajustar la temperatura del horno. <b>NOTA:</b> No se recomienda ajustar la temperatura si ha tenido problemas con solo una o dos recetas.</li> <li>Consulte el folleto "La Cocina Fácil" para mayor información sobre los utensilios de hornear.</li> </ul>
Los alimentos no se asan a la parrilla en forma debida o salen demasiado humo.	<ul style="list-style-type: none"> <li>Verifique las posiciones de las parrillas del horno. El alimento puede estar muy cerca del elemento.</li> <li>El elemento de asar no fue precalentado.</li> <li>El papel de aluminio se usó de manera incorrecta. Nunca forre el inserto del asador con papel de aluminio.</li> <li>La puerta del horno estaba cerrada mientras se asaba a la parrilla. Deje la puerta abierta en la primera posición (alrededor de 10 cm [4 pulgadas]).</li> <li>Recorte el exceso de grasa de la carne antes de ponerla a asar a la parrilla.</li> <li>Se usó una asadera sucia.</li> <li>El voltaje del hogar puede ser bajo.</li> </ul>
El horno no se autolimpia.	<ul style="list-style-type: none"> <li>Verifique para asegurarse de que el ciclo no esté ajustado para un comienzo diferido. Ver página 87.</li> <li>Verifique si la puerta está cerrada.</li> <li>Verifique si el control está en Modo Sabático. Ver pág. 82.</li> <li>El horno puede estar a más de 205° C (400° F). La temperatura del horno debe ser inferior a 205° C (400° F) para programar un ciclo de limpieza.</li> </ul>
El horno no se limpió en forma debida.	<ul style="list-style-type: none"> <li>Puede que sea necesario un tiempo de limpieza más largo.</li> <li>Los derrames excesivos, especialmente de alimentos azucarados y/o ácidos no fueron limpiados antes del ciclo de autolimpieza.</li> </ul>
La puerta del horno no se desbloquea después del ciclo de autolimpieza.	<ul style="list-style-type: none"> <li>El interior del horno todavía está caliente. Deje que pase aproximadamente una hora para que el horno se enfríe antes de que se complete un ciclo de autolimpieza. La puerta puede ser abierta cuando desaparezca la palabra 'LOCK' del indicador visual.</li> <li>El control y la puerta puede estar bloqueada. Ver pág. 74.</li> </ul>

# LOCALIZACIÓN Y SOLUCIÓN DE AVERÍAS

PROBLEMA	SOLUCIÓN
<p><b>La superficie suave muestra desgaste.</b></p>	<ol style="list-style-type: none"> <li>Abrasiones o rayaduras pequeñas. <ul style="list-style-type: none"> <li>Asegúrese de que la cubierta y la parte inferior del utensilio esté limpia. No deslice utensilios de vidrio o de metal a través de la cubierta. Asegúrese de que la parte inferior del utensilio no sea áspera. Use los agentes de limpieza recomendados. Ver pág. 89.</li> </ul> </li> <li>Marcas de metal. <ul style="list-style-type: none"> <li>No deslice utensilios de metal a través de la cubierta. Cuando esté fría, limpie la cubierta con Crema para Limpieza de Cubiertas. Ver pág. 89.</li> </ul> </li> <li>Manchas y estrías marrones. <ul style="list-style-type: none"> <li>Retire los derrames rápidamente. Nunca limpie con un paño o esponja sucia. Asegúrese de que la cubierta y la parte inferior del utensilio esté limpia.</li> </ul> </li> <li>Áreas con un brillo metálico. <ul style="list-style-type: none"> <li>Depósitos minerales del agua y de los alimentos. Use los agentes de limpieza recomendados. Ver pág. 89.</li> </ul> </li> <li>Picaduras o descascarillado <ul style="list-style-type: none"> <li>Limpie los derrames azucarados inmediatamente. Ver pág. 89.</li> </ul> </li> </ol>
<p><b>Se junta humedad en la ventana del horno o sale vapor por el respiradero del horno.</b></p>	<ul style="list-style-type: none"> <li>Esto es normal cuando se cocinan alimentos con alto contenido de humedad.</li> <li>Se usó humedad excesiva cuando limpió la ventana.</li> </ul>
<p><b>Hay un olor fuerte o humo leve cuando se enciende el horno.</b></p>	<ul style="list-style-type: none"> <li>Esto es normal en una estufa nueva y desaparecerá después de unos pocos usos. Al iniciar un ciclo de autolimpieza se “quemarán” los olores más rápidamente.</li> <li>Si se enciende el ventilador ayudará a eliminar el humo y/o el olor.</li> <li>Suciedad excesiva de alimentos en el panel inferior del horno. Use un ciclo de autolimpieza.</li> </ul>
<p><b>Códigos de Errores</b></p>	<ul style="list-style-type: none"> <li>‘BAKE’ o ‘LOCK’ pueden destellar rápidamente en el indicador para avisarle que hay un error o un problema. Si ‘BAKE’ o ‘LOCK’ aparecen en el indicador visual, oprima la tecla ‘CANCEL’. Si ‘BAKE’ o ‘LOCK’ continúan destellando, desconecte la energía eléctrica al electrodoméstico. Espere unos pocos minutos y vuelva a reconectar la energía eléctrica. Si continúan destellando, desconecte la energía eléctrica del electrodoméstico y llame al técnico de servicio autorizado.</li> <li>Si el horno está demasiado sucio, pueden ocurrir demasiadas llamadas lo cual resultará en un código de error durante la limpieza. Oprima la tecla ‘CANCEL’ y deje que el horno se enfríe completamente, limpie el exceso de suciedad y luego vuelva a programar el ciclo de limpieza. Si el código de error reaparece, llame a un técnico autorizado.</li> </ul>
<p><b>Se escuchan ruidos.</b></p>	<ul style="list-style-type: none"> <li>El horno emite varios sonidos bajos. Usted puede oír los relés del horno cuando se encienden y se apagan. Esto es normal.</li> <li>A medida que el horno se calienta y se enfría, usted puede oír sonidos de piezas metálicas que se expanden y contraen. Esto es normal y no dañará su electrodoméstico.</li> </ul>
<p><b>No se escuchan señales sonoras y el indicador visual no se activa.</b></p>	<ul style="list-style-type: none"> <li>El horno puede estar en Modo Sabático. (Ver pág. 82).</li> </ul>
<p><b>‘SAb’ destella y luego se despliega continuamente.</b></p>	<ul style="list-style-type: none"> <li>El horno está en modo sabático. Para anular el modo sabático, oprima y mantenga oprimida la tecla ‘Clock’ (Reloj) durante cinco segundos.</li> </ul>

# GARANTÍA Y SERVICIO

## Garantía Completa de Un Año - Piezas y Mano de Obra

Durante **un (1) año** desde la fecha original de compra al por menor, se reparará o reemplazará gratuitamente cualquier pieza que falle durante uso normal en el hogar.

## Garantías Limitadas - Piezas Solamente

**Segundo Año** - Después del primer año desde la fecha original de compra, se reemplazarán o repararán gratuitamente las piezas que fallen durante uso normal en el hogar en lo que respecta a las piezas y el propietario deberá pagar todos los otros costos incluyendo mano de obra, kilometraje/millaje, transporte, costo del viaje y costo del diagnóstico, si fuese necesario.

**Desde el Tercero hasta el Quinto Año** - A partir de la fecha original de compra, se repararán o reemplazarán gratuitamente las piezas indicadas a continuación que fallen durante uso normal en el hogar en lo que respecta a las piezas y el propietario deberá pagar todos los otros costos incluyendo mano de obra, kilometraje/millaje, transporte, costo del viaje y costo del diagnóstico, si fuese necesario.

- **Controles Eléctricos**
- **Cubierta de Vidrio Cerámico:** Debido a rotura térmica, descoloración, agrietamiento de la junta de goma del borde, desgaste del diseño.
- **Elementos Calefactores Eléctricos:** Los elementos radiantes superiores en los artefactos de cocinar eléctricos.

## Residentes Canadienses

Las garantías anteriores cubren solamente aquellos electrodomésticos instalados en Canadá que han sido certificados o aprobados por las agencias de pruebas correspondientes para cumplimiento con la Norma Nacional de Canadá a menos que el electrodoméstico haya sido traído a Canadá desde los EE.UU. debido a un cambio de residencia.

## Garantía Limitada Fuera de los Estados Unidos y Canadá - Piezas Solamente

Durante dos (2) años desde la fecha de compra original al por menor, cualquier pieza que falle durante uso normal en el hogar será reemplazada o reparada gratuitamente en lo que respecta a la pieza y el propietario deberá pagar todos los otros costos incluyendo mano de obra, kilometraje/millaje, transporte, costo del viaje y costo del diagnóstico, si fuese necesario.

*Las garantías específicas expresadas anteriormente son las **UNICAS** garantías provistas por el fabricante. Estas garantías le otorgan derechos legales específicos y usted puede tener además otros derechos que varían de un estado a otro.*

## Lo que No Cubren Estas Garantías:

1. Situaciones y daños resultantes de cualquiera de las siguientes eventualidades:
  - a. Instalación, entrega o mantenimiento inapropiados.
  - b. Cualquier reparación, modificación, alteración o ajuste no autorizado por el fabricante o por un centro de servicio autorizado.
  - c. Mal uso, abuso, accidentes o uso irrazonable.
  - d. Corriente eléctrica, voltaje o suministro incorrecto.
  - e. Programación incorrecta de cualquiera de los controles.
2. Las garantías quedan nulas si los números de serie originales han sido retirados, alterados o no son fácilmente legibles.
3. Focos.
4. Productos comprados para uso comercial o industrial.
5. El costo del servicio o llamada de servicio para:
  - a. Corregir errores de instalación.
  - b. Instruir al usuario sobre el uso correcto del artefacto.
  - c. Transporte del artefacto al establecimiento de servicio.
6. Daño de la cubierta de vidrio causado por el uso de limpiadores que no han sido las cremas y esponjas de limpieza recomendadas.
7. Daño de la cubierta de vidrio causado por derrames endurecidos de materiales azucarados o plástico derretido y que no han sido limpiados de acuerdo con las instrucciones indicadas en la guía de uso y cuidado.
8. Los daños consecuentes o incidentales sufridos por cualquier persona como resultado de cualquier incumplimiento de estas garantías. En algunos estados no se permite la exclusión o limitación de los daños consecuentes o incidentales, por lo tanto la exclusión anterior puede que no se aplique en su caso.

## Si Necesita Servicio

- Llame al distribuidor donde compró su electrodoméstico o llame a Maytag Services<sup>SM</sup>, Jenn-Air Customer Assistance al 1-800-JENNAIR (1-800-536-6247) para ubicar a un técnico autorizado.
- Asegúrese de conservar el comprobante de compra para verificar el estado de la garantía. Consulte la sección sobre la GARANTIA para mayor información sobre las responsabilidades del propietario para servicio bajo la garantía.
- Si el distribuidor o la compañía de servicio no pueden resolver el problema, escriba a Maytag Services<sup>SM</sup>, Attn: CAIR<sup>®</sup> Center, P.O. Box 2370, Cleveland, TN 37320-2370 o llame al **1-800-JENNAIR (1-800-536-6247)**.
- Las guías del usuario, manuales de servicio e información sobre las piezas pueden solicitarse a Maytag Services<sup>SM</sup>, Jenn-Air Customer Assistance.

### Notas:

Cuando llame o escriba acerca de un problema de servicio, por favor incluya la siguiente información.

- a. Su nombre, dirección y número de teléfono;
- b. Número de modelo y número de serie;
- c. Nombre y dirección de su distribuidor o técnico de servicio;
- d. Una descripción clara del problema que está experimentando;
- e. Comprobante de compra (recibo de compra).