

RAD10 Installation Instructions

For Installation on an RAB70 (Steel), RAB71 (Steel) or RAB77 (Molded) Wall Case

Note:

Parts in this kit will allow for two different types of installations onto the wall case (external or internal). A combination of different parts is required and, depending on the type of installation selected, you will have some extra parts.

To Install the External Drain

The External Drain Kit is installed on the Zoneline Case if it is desired to direct the case overflow water completely away from installation.

1. The gasket should be placed on the cover plate (with 1/2" hole) with screw holes in gasket lined up with screw holes in cover plate. Then insert drain tube (from gasket side) through gasket and cover plate, as shown in Fig. 1.
2. This assembly may now be installed into either the left or right overflow hole on the rear flange of the case, using two (2) of the screws (Type "A" for Metal cabinet or Type "B" for Molded) included (Fig. 2). The case should project at least 1/4" past outside finished wall.

Note: The drain kit may be installed on the case either before or after the case is installed in the wall, and with or without the rear protective cover installed on the case. The stamped rear grille must be removed or the drain kit installation made before the grille is installed. The installation of the drain kit may be made from outside (rear of case) or from the room-side (inside) by removing the rear protective cover or the chassis and rear grille if installed.

Note: Drain kit using either 90° elbow or the straight tube may be installed without modification when using RAG60 exterior grille. Drain kit using 90° elbow tube may be installed without modification when using RAG61 through RAG66 exterior grilles. Modification must be made to the RAG61 through RAG66 exterior grilles when using the straight tube. Modification must be made to the RAG67 grille if using either the 90° elbow tube or the straight tube (see installation instructions with RAG67 grille).

3. The gasket should be properly placed on the rear of the seal cover plate and the assembly installed over the hole in the case not used to drain, using two (2) of the screws included (type "A" or "B" depending on type of cabinet). See Fig. 2.
4. A tube or hose 1/2" I.D. (obtained locally) may be installed onto the drain tube to drain any overflow water away from the installation (to a gutter or the ground).

Note: To redirect the drain tube to another direction (toward the side, downward, etc.) merely loosen the two screws, rotate the drain tube to the desired direction and retighten the screws. Caution: Do not point drain tube above horizontal.

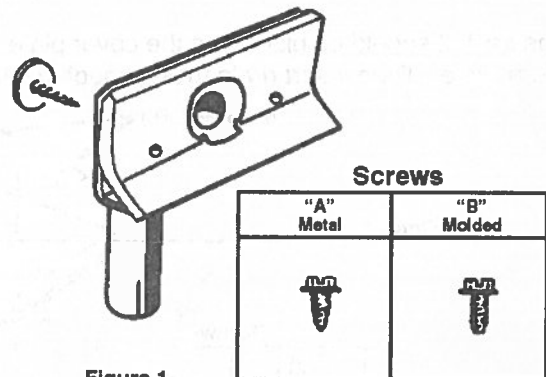
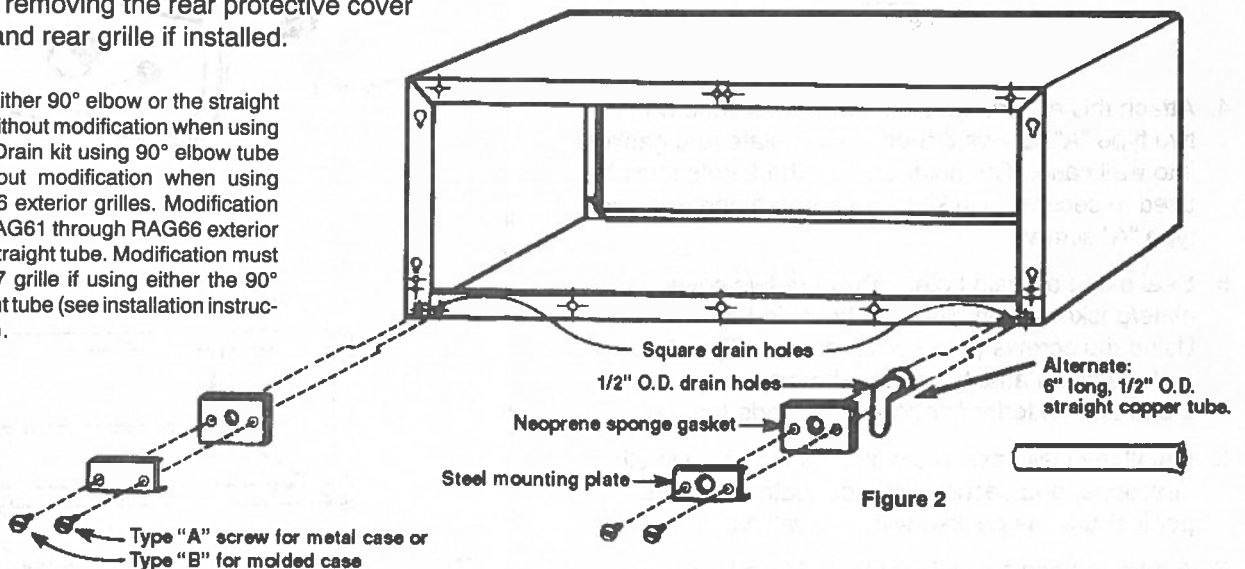


Figure 1

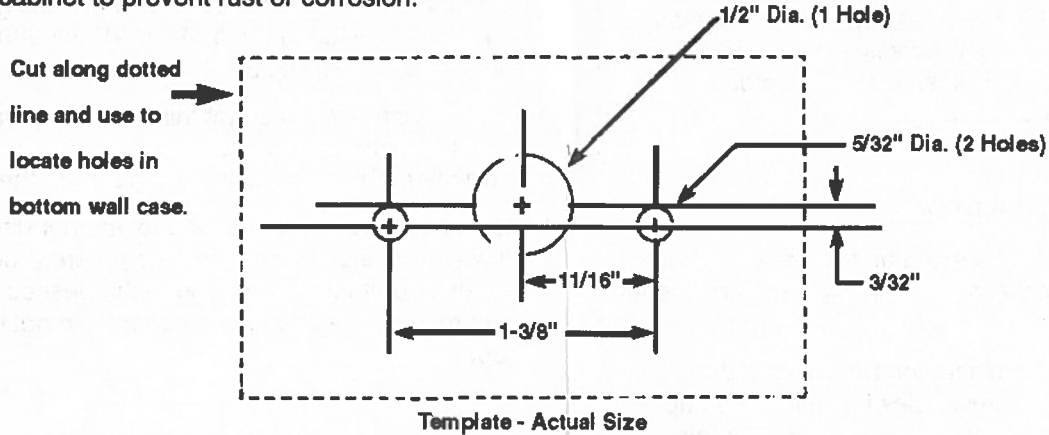


5110-00358

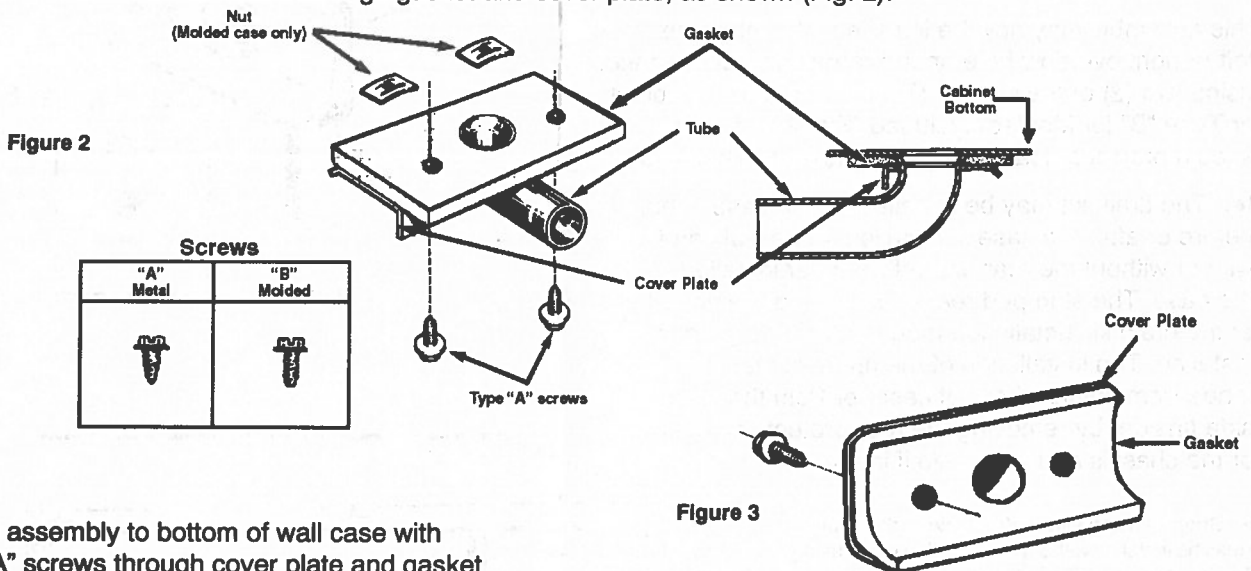
To Install the Internal Drain

Location of the Drain in Cabinet Bottom

1. The Drain Kit must be installed on the bottom of the wall case prior to installation of case in wall. Location should not be in an area of chassis supports or molded ribs (molded case only). **Note:** On wall cases using a sub-base, location of drain should be at least 3" from front edge of wall case.
2. After location of Drain Kit is determined, locate and drill 3 holes per template. (Fig. 1). Repaint edges of drilled holes on metal cabinet to prevent rust or corrosion.



3. The gasket should be placed on the cover plate (with 1/2" hole) with screw holes in gasket lined up with screw holes in cover plate. Then insert drain tube through gasket and cover plate, as shown (Fig. 2).



4. Attach this assembly to bottom of wall case with two type "A" screws through cover plate and gasket into wall case. On molded case, the 2 nuts must be used to secure drain kit to wall case along with two type "A" screws.
5. Seal external drain holes. Prepare two cover plate/gasket assemblies as shown in Fig. 3. Using the screws (Type A for steel or Type B for molded case) attach plate/gasket assemblies to the bottom exterior flange at both ends (Fig. 4).
6. Install the wall case into wall opening (level in all directions) and secure with adequate fasteners per instructions packed with the wall case.
7. A tube or hose 1/2" I.D. (obtained locally) must be installed on the drain and connected to the internal drain system in the building.

