

NX58R5601SS

SAMSUNG

Samsung Freestanding Gas Range with Convection

5.8 cu. ft. Capacity



Signature Features

Fan Convection

- Circulates air for faster, more even cooking.

5.8 cu. ft. Large Capacity

- Cook multiple dishes at once or accommodate larger items for the holidays.

Griddle

- Cook a variety of breakfast foods or grilled sandwiches at once on the removable stovetop griddle.

Available Colors



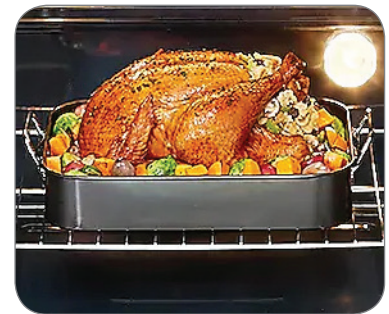
Stainless Steel (shown)



Fingerprint Resistant
Black Stainless Steel



Fan Convection



5.8 cu. ft. Capacity

Features

- 5 Gas Burners
 - Right Front: 17K BTU
 - Left Front: 15K BTU
 - Right Rear: 5K BTU
 - Left Rear: 9.5K BTU
 - Center: 9.5K BTU (Oval)
- Cast Iron 3 Piece Grates
- Wide View Window
- Storage Drawer
- Sabbath Mode
- 2 Chrome Racks
- Flat Handle

Convenience

- Self Clean
- 4 Easy Cook Presets - Pizza, Slow Cook, Dehydrate, Proof
- Kitchen Timer
- Delay Start
- Child Safety Lock
- Auto Oven Light
- Auto Shut-Off Option

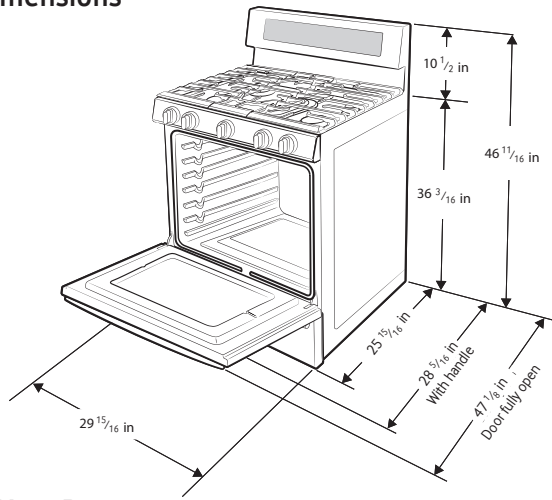
NX58R5601SS

SAMSUNG

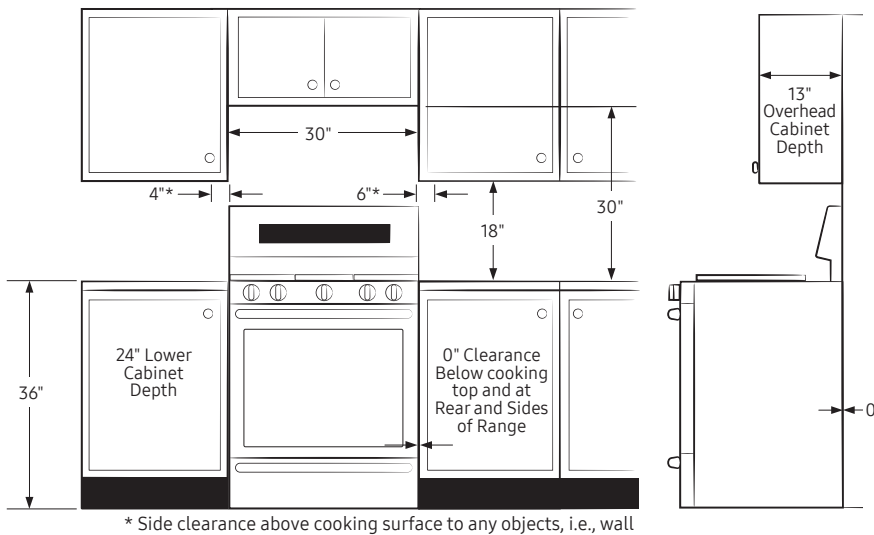
Samsung Freestanding Gas Range with Convection

5.8 cu. ft. Capacity

Product Dimensions



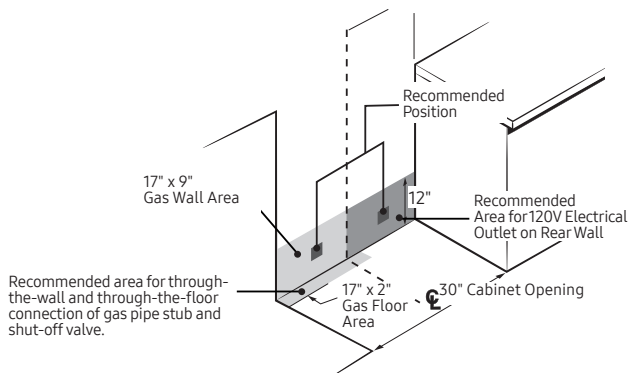
Installing Your Range



* Side clearance above cooking surface to any objects, i.e., wall

IMPORTANT: Consult with Installation Manual for detailed instructions before installing. All ranges must be installed with the Anti-Tip device that is included.

Recommended Locations for Gas Piping and Electrical Outlets



Total Power

56K BTU

Power Source

120V/60 Hz/20A

Black Enamel 5-Burner Cooktop

- Right Front: 17K BTU
- Left Front: 15K BTU
- Right Rear: 5K BTU
- Left Rear: 9.5K BTU
- Center Rear: 9.5K BTU (Oval with Cast Iron Griddle)

Oven: 5.8 cu. ft. Capacity

- Bake: 150°F–550°F
- Convection Bake: 150°F–550°F
- Convection Roast: 150°F–550°F
- Bake Burner: 18K BTU
- Broil Burner: 13.5K BTU
- Sabbath Mode

Storage Drawer

Capacity: 0.7 cu. ft.

Warranty

One (1) Year Parts and Labor

Product Dimensions & Weight (WxHxD)

Actual Oven Dimensions:

25" x 19" x 21 1/8"

Outside Net Dimensions:

29 15/16" x 46 11/16" x 28 5/16"

Weight: 186 lbs

Shipping Dimensions & Weight (WxHxD)

Dimensions:

33 1/16" x 50 5/8" x 30 5/16"

Weight: 233 lbs

Color

Stainless Steel

Model

NX58R5601SS

UPC Code

887276336343

Fingerprint Resistant

Black Stainless Steel

NX58R5601SG

887276336275

Actual color may vary. Design, specifications, and color availability are subject to change without notice. Non-metric weights and measurements are approximate.

©2020 Samsung Electronics America, Inc. 85 Challenger Road, Ridgefield Park, NJ 07660. Tel: 800-SAMSUNG. samsung.com. Samsung is a registered trademark of Samsung Electronics Co. Ltd.