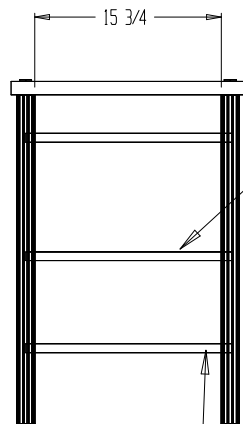
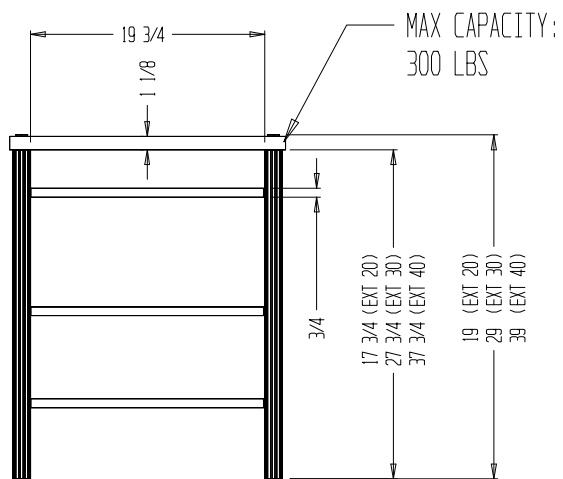
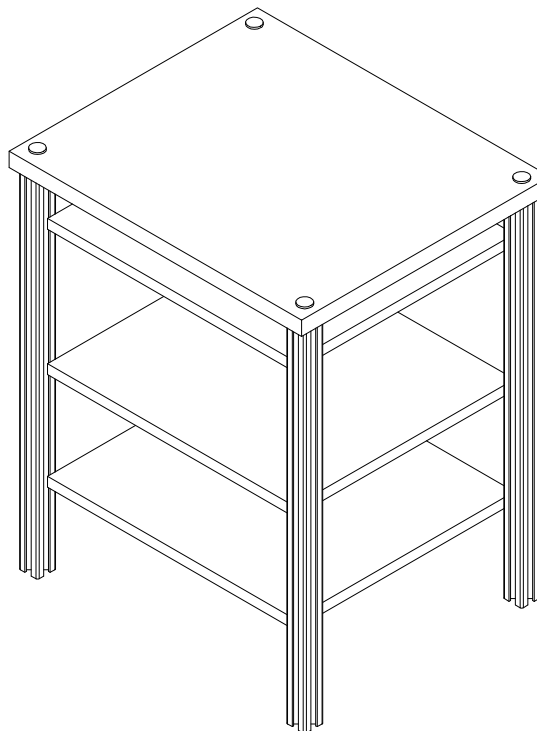


NOTES:  
 1. NUMBER OF ADJUSTABLE SHELVES  
 DEPENDS ON MODEL ORDERED:  
 EXTENSION 40 - 4 ADJUSTABLE SHELVES  
 EXTENSION 30 - 2 ADJUSTABLE SHELVES  
 EXTENSION 20 - 1 ADJUSTABLE SHELVES



ATTACHMENT TO EXISTING SYNERGY FOUNDATION UNIT ON BOTTOM OR TOP, SHOWN READY FOR TOP MOUNTING.

ADJUSTABLE SHELVES  
 SEE NOTE 1



REVISIONS			
REV	DESCRIPTION	DATE	APPROVED
00	RELEASE	12/29/98	


**SALAMANDER CONFIDENTIAL AND PROPRIETARY**

THIS SALAMANDER DOCUMENT CONTAINS PROPRIETARY AND CONFIDENTIAL INFORMATION OF SALAMANDER DESIGNS LTD.. IT IS LOANED ON CONDITION THAT IT AND THE INFORMATION THERIN SHALL NOT BE USED BY RECIPIENT NOR BE DISCLOSED TO OTHERS EXCEPT AS EXPRESSLY APPROVED BY SALAMANDER DESIGNS LTD. ANY DOCUMENT CONTAINING SUCH INFORMATION SHALL BE RETURNED ON REQUEST.



TOLERANCES:  
 DECIMALS:  
 XX +/- .02  
 XXX +/- .005  
 ANGLES +/- 1/2 DEG

**SALAMANDER DESIGNS LTD.**  
 HARTFORD, CT 06106

DESCRIPTION  
 OUTLINE: EXTENSION 40, 30, 20

DRAWN BY	DATE	SIZE	LEVEL	DWG NO.	REV
		B		N/A	00
APPROVED	DATE	SCALE	FILE	SHEET	1 OF 1
		N/A			