

PTD9000BN/SN

GE Profile™ 30" Built-In Convection Double Wall Oven

DIMENSIONS AND INSTALLATION INFORMATION (IN INCHES)

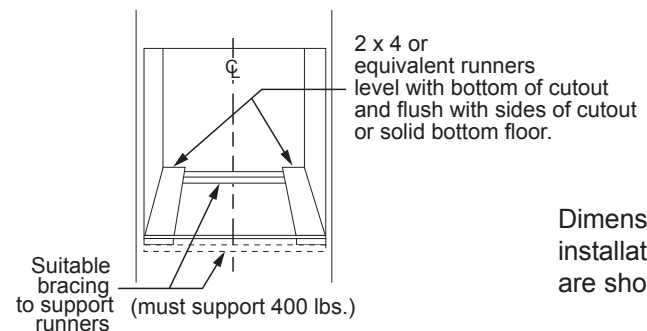
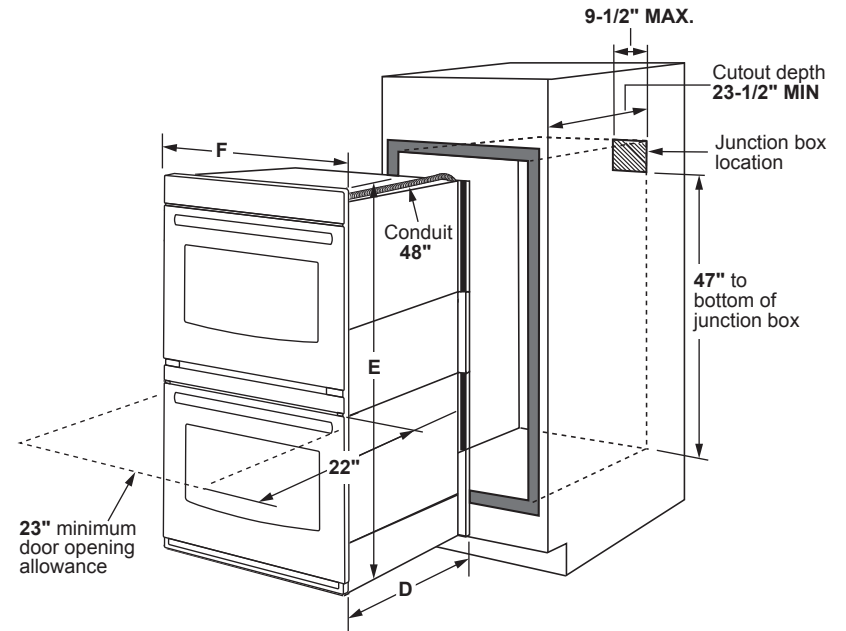
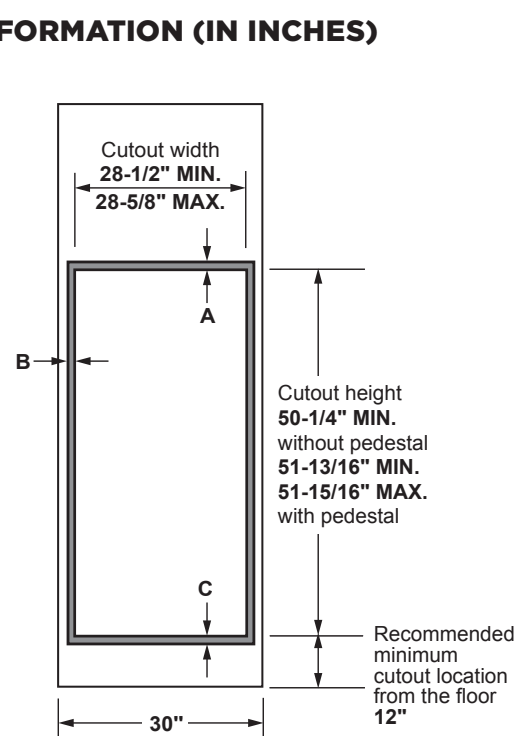
NOTE: Wall coverings, countertops and cabinets surrounding the wall oven must be able to withstand a temperature of up to 200°F (94°C).

NOTE: If the cabinet in which the wall oven is installed does not have a solid bottom, two braces or runners must be installed to support the weight of the oven. The runners and braces must support up to 400 lbs (181 kg).

NOTE: Door handle protrudes 3" from door face. Cabinets and drawers on adjacent 45° and 90° walls should be placed to avoid interference with the handle.

ATTENTION INSTALLER: Electric wall ovens are NOT approved for installation with a plug and receptacle. They must be hard wired into an approved junction box.

IMPORTANT: Before installing, consult installation instructions packed with product for current dimensional data.



Dimension and installation information are shown in inches.

KW RATING	
240V	9.0
208V	6.8
BREAKER SIZE	
240V	40 Amps
208V	40 Amps

	PTD9000
Cabinet	30"
A - Overlap of oven at top of cutout	1"
B - Overlap of oven other side of edge of cutout	3/4"
C - Overlap of oven at bottom of cutout	1-1/4"
Oven	
D - Install depth	23-1/2"
E - Overall height with trim	53"
F - Overall width	29-3/4"



For answers to your Monogram, GE Café™ Series, GE Profile™ Series or GE Appliances product questions, visit our website at geappliances.com or call GE Answer Center® Service, 800.626.2000.



PTD9000BN/SN

GE Profile™ 30" Built-In Convection Double Wall Oven

DIMENSIONS AND INSTALLATION INFORMATION (IN INCHES)

NOTE: 30" Double electric wall ovens are approved for installation above 27" and 30" warming drawers.

ATTENTION INSTALLER: Electric wall ovens are NOT approved for installation with a plug and receptacle. They must be hard wired into an approved junction box.

IMPORTANT: Before installing, consult installation instructions packed with ALL products for current dimensional and combination data.

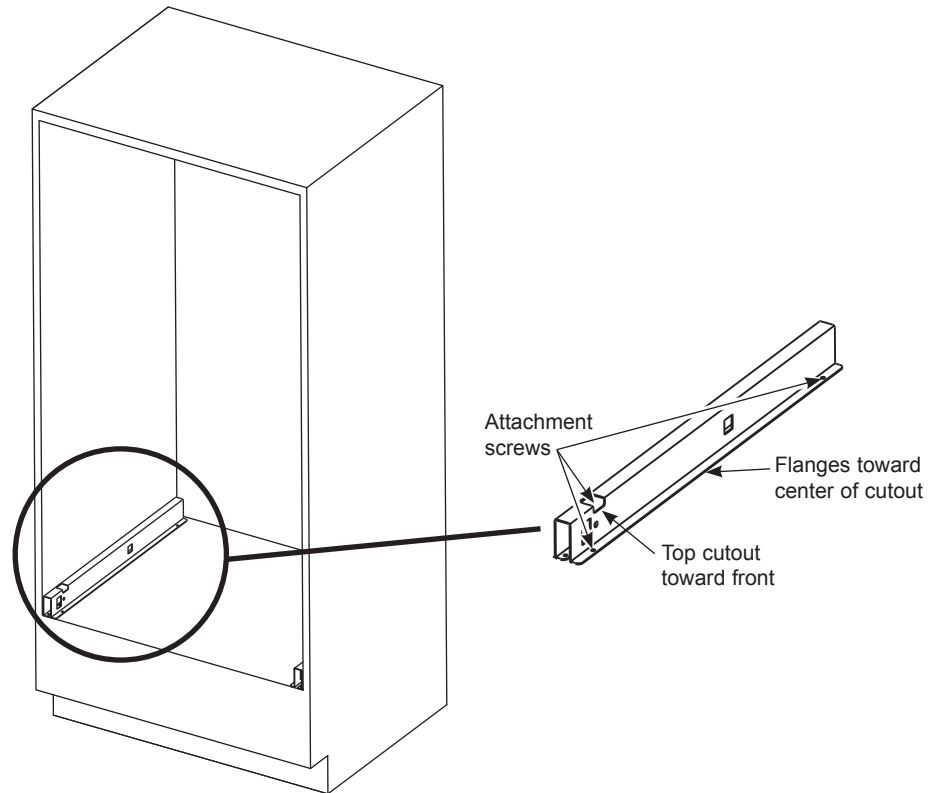
WHEN TO USE THE PEDESTAL RAILS:

When replacing an older GE Appliances 30" double wall oven with a new GE Appliances model. Cutout Height = 51-13/16" to 51-15/16". This is our traditional cutout height.

WHEN NOT TO USE THE PEDESTAL RAILS:

When replacing a 30" double wall oven from another manufacturer (ie; Whirlpool) with a new GE Appliances model. Cutout height = 50-1/4". You will need to verify that the existing cutout matches the 50-1/4" dimension.

If the new GE Appliances 30" double wall oven is being installed into new construction (ie; not a replacement), then the recommended installation is to use the pedestal rails.



For answers to your Monogram, GE Café™ Series, GE Profile™ Series or GE Appliances product questions, visit our website at geappliances.com or call GE Answer Center® Service, 800.626.2000.

PTD9000BN/SN

GE Profile™ 30" Built-In Convection Double Wall Oven

FEATURES AND BENEFITS

In-oven camera – Check the progress of your food without opening the oven door, by simply syncing your oven with your smartphone and streaming live photos

Precision cooking modes – Skip the oven hover, even when cooking the most intricate dishes, thanks to advanced technology that provides step-by-step instructions and automatic adjustments to oven temperatures and cook times for perfect results

Brilliant touch 7" display – A bright, interactive touch screen makes it fun and easy to program the oven

True European Convection with Direct Air – Optimize your results on roasts, chicken, turkey and other special-occasion favorites, with the only cooking system that delivers true top-down convection

Food dehydrator – Make homemade chips, spices and dehydrated fruits more easily than ever with a moisture-removing setting in your oven

No preheat options – Save time with a variety of precision cooking modes that eliminate the need for preheating

Hot air frying – Achieve crispy, never greasy, fried food results in your oven without the oil

Anywhere control with remote notifications – Save time by conveniently preheating and monitoring your oven from anywhere using the GE Appliances Kitchen app

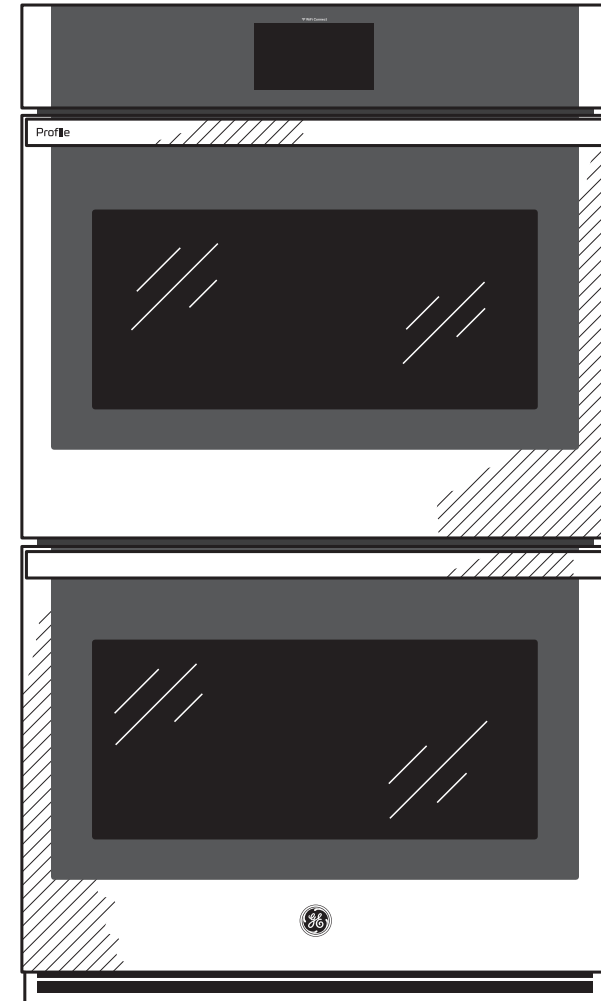
Soft-close door – Rest assured your oven door will always close softly, thanks to a special hinge that quietly eases it shut

Never-scrub, heavy-duty smooth glide racks – Easily remove even the heaviest dishes with two roller racks in each cavity that glide seamlessly out of the oven

Self-clean oven with optional steam clean – Let your oven do the cleaning for you with two ways to eliminate baked on messes

Model PTD9000BNTS – Black Stainless

Model PTD9000SNSS – Stainless Steel



GUARANTEED FIT

Replacing a similar wall oven from GE Appliances or another brand? GE wall ovens are guaranteed for an exact fit or GE Appliances will pay up to \$300 toward modifications.

Visit geappliances.com for more info

