



3-speed high performance blower featuring 600 CFM, HVI certified*, offering 1.5 sones level at minimum speed.

Two ultra efficient hybrid baffle filters, easy to clean, for optimal grease removal.

Two built-in LED modules provide an even lighting over the cooktop.

Telescopic chimney for 8' to 9' ceiling.

Optional flue extension available for 10' ceiling.

Model Numbers:

WCP3I30SB

WCP3I36SB



Hybrid baffle filters provide ultra-efficient grease removal with superior air flow.



Tap-touch control features easy-to-clean surface.



Two-level LED modules evenly illuminate cooktop.

Hood Sizes

Width	30", 36"
Depth	20"

Finish

Stocked	Brushed Stainless Steel
Special Order	NA

Features

Lighting Type	LED Modules (450 Lumens each, 4.5 watts per module, color temp 3000K)
Number of Modules	2
Lighting Levels	2
Lighting Modules Included	Yes
Control Type	3-speed Tap Touch
Control Features	Heat Sentry™, Filter Clean Reminder
Remote Control	NA
Filter Type	Hybrid Baffle Filter
Non-ducted Capability	Yes

Hood Blower Included

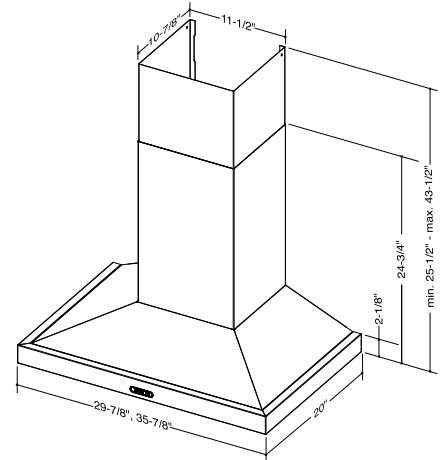
Internal	
Blower CFM Low/High	200/600
Sones Low/High	1.5/11.0

Accessories

10' Flue Extension (Ducted)	AEWCP3SB
Recirculation Kit	HRKBSS
Non-Duct Filter	FILTERECB
CFM Reducer Kit	ARP6, ARP310

Installation Requirements

Amps @ 120V: Internal Blower	3.9
Electrical Connection	Plug In
Duct Size: Internal Blower	6" round, 3-1/4" x 10"
Duct Direction	6" V, 3-1/4" x 14" V and H
Backdraft Damper	Included



Install hood so that the bottom of the unit is 24" to 30" above the cooking surface. Mounting height may be affected by ceiling height.

Ducted telescopic flue accommodates ceiling heights from 8' to 9'. Flue extension for higher ceilings is also available.

*299 CFM max with ARP6 or ARP10 reducer plate option

For more details see the product specifications sheet found at www.BESTRangeHoods.com

