

KCH36XV

36" CHIMNEY HOOD



Chimney style wall-mount canopy hood for use with Bertazzoni ranges and cooktops

Stainless steel finish

Aluminum mesh filter

600 CFM blower with 3 speeds settings

Energy saving LED lights

Push button controls

Designed and manufactured in Italy

2 years parts & labor warranty

PRODUCT FEATURES

Size	36"
Hood type	Wall mount
Hood finish	Stainless steel
Motor	1
Speed	3
Hood control	Push buttons
Lights	2 LED
Filters type	Aluminum mesh
Extraction power	600 CFM
Sound Level (min)	38 db(A)
Recirculation	Yes
Duct cover	Included
Duct size	6" diameter

TECHNICAL SPECIFICATIONS

Electrical supply	120 V 60 HZ - 353 W 3.3 Amp
Power connection	NEMA 5-15P with 43" power cord
Certification	CSA
Warranty	2 years parts & labor
Packaging dimensions and weight	W 37 3/16" H 21 27/32" D 14 61/64" 24.47 lbs

OPTIONAL ACCESSORIES

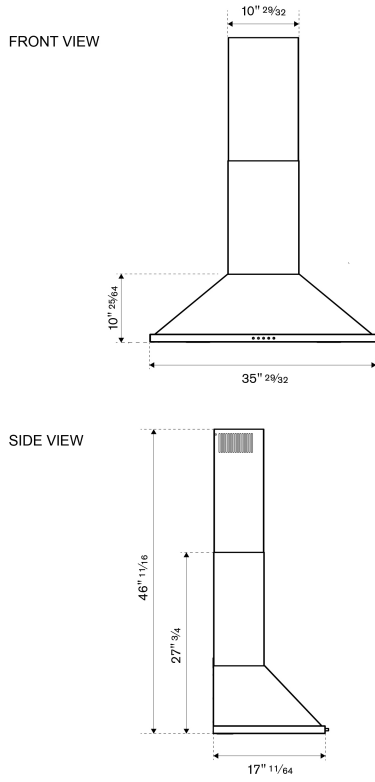
Z130018	Air flow restrictor
901488	Charcoal filters

KCH36XV

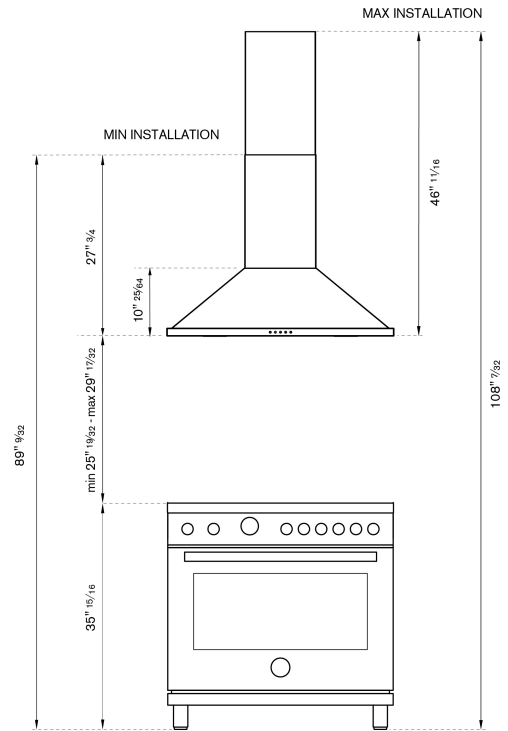
36" CHIMNEY HOOD



PRODUCT DIMENSIONS



PRODUCT INSTALLATION



Hood Clearance

Recommended height above cooking surface:
 $25''^{19/32}$ for electric worktop
 $29''^{1/32}$ for gas worktop